

A close-up photograph of a surgeon's hands in blue gloves, using surgical instruments on a patient. The scene is lit with a bright, warm light, creating a glow around the hands and instruments. The background is a gradient of orange and red.

***Proxima***

Surgical Drapes, Gowns  
& Standard Packs





**Surgical Drapes, Gowns  
& Standard Packs**



**1-800-MEDLINE | [www.medline.com](http://www.medline.com)**

*©2004 Medline Industries, Inc.*

<b>INTRODUCTION .....</b>	<b>6</b>
<b>SURGICAL GOWNS .....</b>	<b>9-33</b>
Surgical Gowns, Sterile .....	9-30
Surgical Gowns, Non-Sterile .....	31-33
<b>BASIC/UNIVERSAL PACKS.....</b>	<b>35-49</b>
Basic Packs.....	37-39
Set Up Packs .....	40-41
Universal Packs .....	42-48
Drape Sheets Tablecovers and Accessories .....	49
<b>LAPAROTOMY/GENERAL SURGERY .....</b>	<b>51-69</b>
Laparotomy Packs .....	53-58
Laparotomy Drapes .....	59-63
Laparoscopic Abdominal Packs/Drapes.....	64-65
Abdominal Drapes.....	66
Chest/Breast Drapes .....	67
Minor Procedure Drapes .....	68-69
<b>CARDIOVASCULAR .....</b>	<b>71-88</b>
Cardiovascular Packs.....	73-76
Cardiovascular Drapes .....	77-83
Angiography/Pacemaker Drapes.....	84-88
<b>CYSTOSCOPY .....</b>	<b>89-98</b>
Cystoscopy Packs .....	91-94
Cystoscopy Drapes & Accessories.....	95-98
<b>OBSTETRICS.....</b>	<b>99-113</b>
OB Packs .....	101-103
OB Accessories.....	104-108
C-Section Packs .....	109-111
C-Section Drapes.....	112-113
<b>EENT/OPHTHALMOLOGY .....</b>	<b>115-125</b>
Head and Neck Packs .....	117-118
Head and Neck Drapes .....	119-121
Ophthalmic Drapes .....	122-124
Neurosurgery Drapes.....	125

<b>ORTHOPEDICS</b> .....	<b>127-179</b>
<b>EXTREMITY</b> .....	<b>131-140</b>
Extremity Packs .....	133-136
Extremity Drapes .....	137-140
<b>ARTHROSCOPY</b> .....	<b>141-148</b>
Arthroscopy Packs .....	143-146
Arthroscopy Drapes .....	147-148
<b>HIP PACKS AND DRAPES</b> .....	<b>149-158</b>
Hip Packs.....	151-155
Hip Drapes.....	156-158
<b>GENERAL ORTHOPEDICS</b> .....	<b>159-166</b>
Orthopedic Packs.....	161-163
Orthopedic Drapes.....	164-166
<b>SHOULDERS</b> .....	<b>167-179</b>
Shoulder Packs.....	169-173
Shoulder Drapes.....	174-179
<b>PERI-GYN</b> .....	<b>181-197</b>
Lithotomy Packs.....	183-186
Lithotomy Drapes.....	187-189
Laparoscopy Packs .....	190-193
Laparoscopy Drapes .....	194-195
GYN Accessories .....	196-197
<b>INCISE DRAPES ESMARK BANDAGES AND STOCKINETTES</b> .....	<b>199-202</b>
<b>ITEM NUMBER INDEX AND CROSS REFERENCE</b> .....	<b>203-211</b>

### Fabric Key

Throughout this catalog, the illustrations of the drapes and gowns are coded using the swatches shown here. Use this key to determine the materials and reinforcements used.





Surgical Drapes, Gowns & Standard Packs

## *Designed, Tested and Trusted by O.R. Professionals*

### **Better by design**

When we developed our Proxima line of surgical gowns and drapes we went straight to the people who use them. We spoke to O.R. professionals across the country to get a sense of what features they liked and disliked about other surgical gowns and drapes, and then worked to develop Proxima — an innovative line you can use with confidence.

Since then, we've continued to listen to clinician feedback to introduce new features. Whether it's a simple change like adding more velcro-style lineholders to a drape, or introducing the superb combination of comfort and protection in our Aurora gowns, we've strived to keep listening and improving the Proxima line to help make your job easier.



### **Proxima gowns — the power of choice.**

Medline has worked to bring you surgical gowns with the latest fabric technologies.

We recognize that your O.R. team may have different preferences in a surgical gown. That's why Proxima gowns are available in four styles: **Aurora™**, **Eclipse®**, **Sirus™** and **Prevention**.

Each of these gowns feature a different fabric that has its own unique qualities. However, there are a set of benefits that all these gowns share.



All Proxima gowns are cut wider in the chest and sleeves for a better fit.

Instead of using snaps, our gowns feature an adjustable velcro-style neck closure. This allows the neckline to easily adjust to a wide variety of people, while also helping to prevent gapping in the front which serves as additional protection against fluids.

*Proxima gowns feature a velcro-style neck closure for easy adjustability.*

No other manufacturer offers this kind of choice.

## Proxima drapes — the broadest line in the industry

No one offers a more extensive surgical drape line than Medline. Proxima drapes feature DuPont™ Softesse™ medical fabric, an industry standard for more than 25 years. The fabric gives Proxima drapes their soft, cloth-like feel that conforms easily to the body.



## Packed with features to help make your job easier

Proxima drapes feature a number of unique benefits that help make draping a little easier.

### Velcro-style line holders

Proxima drapes feature velcro-style line holders to place surgical lines and help keep them clear of the fenestration. The tabs are offset to make lifting them easy, even when wearing gloves. This is one of the key features suggested to us by clinicians across the country when we developed the Proxima line of drapes.



fenestration. The tabs are offset to make lifting them easy, even when wearing gloves. This is one of the key features suggested to us

### Premium tape and incise film

We use premium tape and incise film exclusively on all Proxima drapes. Our tape is manually placed flush to the fenestration to help prevent pooling of blood and fluid underneath the drape. Because the tape is placed manually, it allows the tape to be closer to the fenestration compared to other drapes.



### Larger impervious reinforcement zone

Proxima fenestrations and splits are surrounded with a large impervious reinforcement. This area absorbs fluids and is plastic-backed to make the area impervious to blood and body fluids as well as bacterial transmission. All Proxima reinforced zones pass ASTM F1670 and F1671.



### Wider anesthesia screen

The anesthesia screen on Proxima drapes is 102" wide, allowing you to drape a 6'9" person from fingertip to fingertip. This virtually eliminates the need to pull half-sheets or three-quarter sheets to create a sterile field. Over time, this feature can be a real money-saver.



### Instrument pad for traction control

The instrument pad on Proxima drapes is a section of open-celled foam that provides a convenient, non-slip area for placing instruments during surgery. The pad is also plastic-backed, making it impervious to fluid transfer.



### All Proxima products are latex free.

Keeping you and the patient in mind, every product in the Proxima line is latex free. All of our packaging is clearly labeled with our latex-free symbol for added piece of mind.



*If you need more information about any of the products found in this catalog, contact your Medline representative, call us at 1-800-MEDLINE, or e-mail us at [proxima@medline.com](mailto:proxima@medline.com).*

DuPont and Softesse are trademarks of DuPont









*Proxima*

# SURGICAL GOWNS

		Page Number	Case Pack	Cardinal Convertors	Molnlycke Barrier	Kimberly Clark	Maxxim Boundary
<b>Eclipse® Softesse (Spunlace) Gowns</b>							
DYNJP2001	Non-Reinforced, Large	18	30	9515/95060CE	0551	90012/90018	GL025/GL040
DYNJP2002	Non-Reinforced, X-Large	18	30	9545/9507CE	0553	90042/90048	GX025
DYNJP2003	Non-Reinforced, XX-Large	18	18	9575/9575CE	0554	---	GXX025
DYNJP2004	Non-Reinforced, XXX-Large	18	18	---	---	---	GXXX026
DYNJP2005	Non-Reinforced, Small	18	30	9505/9505CE	0550	---	GS025
DYNJP2101	Fabric Reinforced, Large	19	30	9511/9508CE	0570	90112/90118	GL030/GL031
DYNJP2102	Fabric Reinforced, X-Large	19	30	9541/9509CE	0572	90142/90148	GX030/GX031
DYNJP2103	Fabric Reinforced, XX-Large	19	18	9571/9571CE	0574	---	GXX030/GXX031
DYNJP2104	Fabric Reinforced, Cool-Zone, Large	23	30	---	---	---	GL005A
DYNJP2105	Fabric Reinforced, Cool-Zone, X-Large	23	30	---	---	---	GX005
DYNJP2201	Poly-Reinforced, Large	20	30	9010/9010CE	0575	---	GL021/GL020
DYNJP2202	Poly-Reinforced, X-Large	20	30	9040/9040CE	0577	---	GX021/GX020
DYNJP2203	Poly-Reinforced, XX-Large	20	18	9070/9070CE	0583	---	GXX021/GXX020
DYNJP2204	Poly-Reinforced, X-Long, Large	20	28	---	0579/0544	95411	GL080
DYNJP2205	Poly-Reinforced, X-Long, X-Large	20	28	---	0582/0545	95421	GX080/GX081
DYNJP2206	Poly-Reinforced, X-Long, XX-Large	20	18	---	0583/0546	95431	---
DYNJP2207	Poly-Reinforced, Breathable Impervious Sleeves, Large	20	30	9011/9011CE	0540	---	GL023
DYNJP2208	Poly-Reinforced, Breathable Impervious Sleeves, X-Large	20	30	9041/9041CE	0541	---	GX023
DYNJP2209	Poly-Reinforced, Breathable Impervious Sleeves, XX-Large	20	18	9071/9071CE	---	---	GXX023
DYNJP2212	Poly-Reinforced, Breathable Impervious Sleeves, XXX-Large	20	18	9560	---	---	---
DYNJP2213	Poly-Reinforced, Cool-Zone, Large	23	30	---	---	---	GL015
DYNJP2214	Poly-Reinforced, Cool-Zone, X-Large	23	30	---	---	---	GX015
DYNJP2901	Non-Reinforced, Non Sterile, Large	32	50	---	---	---	---
DYNJP2902	Non-Reinforced, Non Sterile, X-Large	32	50	---	---	---	---
<b>Sirus™ SMS Gowns</b>							
DYNJP2401	Non-Reinforced, Large	30	32	39515	---	95101/95111	---
DYNJP2402	Non-Reinforced, X-Large	30	30	39545	---	95121	---
DYNJP2403	Non-Reinforced, XX-Large	30	28	39575	---	95131	---
DYNJP2501	Fabric Reinforced, Large	30	30	39511	---	95201/95211	---
DYNJP2502	Fabric Reinforced, X-Large	30	28	39541	---	95221	---
DYNJP2503	Fabric Reinforced, XX-Large	30	28	39571	---	95231	---
DYNJP2601	Poly-Reinforced, Large	30	32	39010	---	95311	---
DYNJP2602	Poly-Reinforced, X-Large	30	30	39040	---	95321	---
DYNJP2603	Poly-Reinforced, XX-Large	30	28	39070	---	95331	---

		<u>Page Number</u>	<u>Case Pack</u>	<u>Cardinal Convertors</u>	<u>Molnlycke Barrier</u>	<u>Kimberly Clark</u>	<u>Maxxim Boundary</u>
<b>Aurora™ Gowns</b>							
DYNJP2701	Non-Reinforced, Large	14	30				
DYNJP2702	Non-Reinforced, X-Large	14	30				
DYNJP2703	Non-Reinforced, XX-Large	14	18				
DYNJP2801	Non-Reinforced, Raglan Sleeve, Large	15	32				
DYNJP2802	Non-Reinforced, Raglan Sleeve, X-Large	15	30				
DYNJP2803	Non-Reinforced, Raglan Sleeve, XX-Large	15	28				
DYNJP2704	Fabric Reinforced, Large	14	30				
DYNJP2705	Fabric Reinforced, X-Large	14	30				
DYNJP2706	Fabric Reinforced, XX-Large	14	18				
DYNJP2804	Fabric Reinforced, Raglan Sleeve, Large	15	30				
DYNJP2805	Fabric Reinforced, Raglan Sleeve, X-Large	15	28				
DYNJP2806	Fabric Reinforced, Raglan Sleeve, XX-Large	15	28				
DYNJP2707	Poly-Reinforced, Large	14	30				
DYNJP2708	Poly-Reinforced, X-Large	14	30				
DYNJP2709	Poly-Reinforced, XX-Large	14	18				
DYNJP2807	Poly-Reinforced, Raglan Sleeve, Large	15	32				
DYNJP2808	Poly-Reinforced, Raglan Sleeve, X-Large	15	30				
DYNJP2809	Poly-Reinforced, Raglan Sleeve, XX-Large	15	28				
<b>Prevention and Specialty Gowns</b>							
DYNJP2304	Specialty Gown, Impervious with Pleat, X-Large	26	30	2475/2476	---	---	GX035
DYNJP2301	Prevention™ Breathable Impervious, Large	26	24	9015/9015CE	---	92039/92049	---
DYNJP2302	Prevention™ Breathable Impervious, X-Large, X-Long	26	24	9045/2474/9049	---	92043/92052	GX090
DYNJP2303	Prevention™ Breathable Impervious, XX-Large, X-Long	26	22	9075/9079	---	92046/92056	GXX090
DYNJP2931	Prevention™ Breathable Impervious, Non-Sterile, Large	32	50				
DYNJP2932	Prevention™ Breathable Impervious, Non-Sterile, X-Large, X-Long	32	50				
DYNJP2933	Prevention™ Breathable Impervious, Non-Sterile, XX-Large, X-Long	32	50				



*Aurora*

# Aurora™ Surgical Gowns

*Aurora gowns offer an unbeatable combination of protection and comfort.*

## Made with Suprel™ medical fabric from DuPont™

Suprel medical fabric is based on DuPont's new Nonwovens Advanced Composite technology. This bi-component fabric is made of polyester (for strength) and polyethylene (for comfort).

## Uncompromising performance

Aurora gowns offer a high level of protection without compromising comfort. Featuring new fabric technology, Aurora raises the bar for single-use O.R. gowns.

## Breathable and comfortable

Aurora gowns have a smooth texture that glides easily without catching or grabbing, giving you incredible freedom of movement. Plus, the gown helps to quickly transfer heat away from your body, keeping you cool and comfortable.

## Excellent protection

For a high level of protection, Aurora gowns are a great choice. The gown's high hydrostatic head offers superior barrier performance.

## Generous sizing

Aurora gowns are cut wider through the chest and sleeves for a roomier fit.

## Adjustable neckline

The Aurora gown features a velcro-style neck closure that allows the neckline to easily adjust to a wide variety of people. In addition, the velcro-style closure helps prevent gapping in the front of the gown to further help protect against fluids.

## Flame resistant

Aurora gowns meet the Standard for Flammability of Clothing Textiles CPSC 16 CFR Part 1610.

## Low-linting

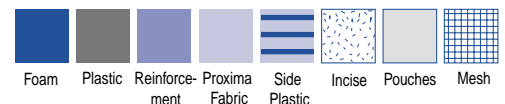
Aurora gowns are very low linting, minimizing the risk of introducing particles into the O.R.

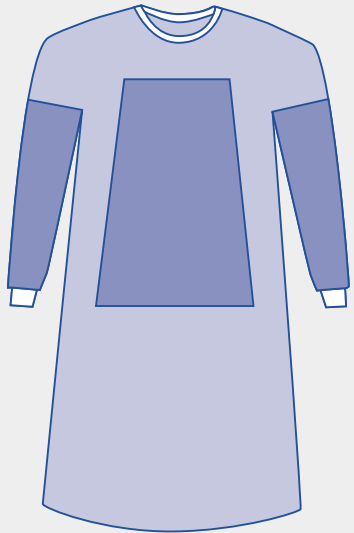
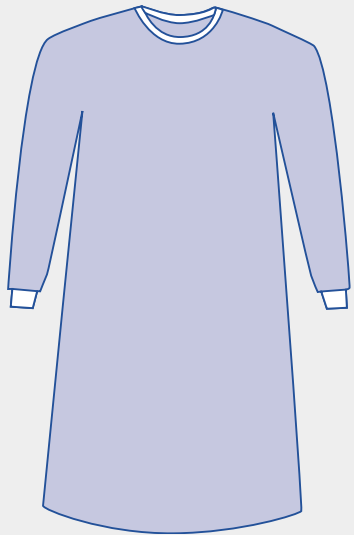
<i>Aurora Protection and Comfort Levels</i>			
	GOOD	BETTER	BEST
Protection			
Comfort			



Proxima Protection Products from Medline

*All products are sterile and latex free unless otherwise indicated.*






---

### Aurora Gown, Non-Reinforced

**Large (43", 109 cm)**

**DYNJP2701**

*Packaging: 30/cs*

Non-Sterile Item Number: SPT-2701

**X-Large (47", 119 cm)**

**DYNJP2702**

*Packaging: 30/cs*

Non-Sterile Item Number: SPT-2702

**XX-Large (49", 124 cm)**

**DYNJP2703**

*Packaging: 18/cs*

Non-Sterile Item Number: SPT-2703

---

### Aurora Gown, Fabric Reinforced

**Large (43", 109 cm)**

**DYNJP2704**

*Packaging: 30/cs*

Non-Sterile Item Number: SPT-2704

**X-Large (47", 119 cm)**

**DYNJP2705**

*Packaging: 30/cs*

Non-Sterile Item Number: SPT-2705

**XX-Large (49", 124 cm)**

**DYNJP2706**

*Packaging: 18/cs*

Non-Sterile Item Number: SPT-2706

---

### Aurora Gown, Poly-Reinforced

**Large (43", 109 cm)**

**DYNJP2707**

*Packaging: 30/cs*

Non-Sterile Item Number: SPT-2707

**X-Large (47", 119 cm)**

**DYNJP2708**

*Packaging: 30/cs*

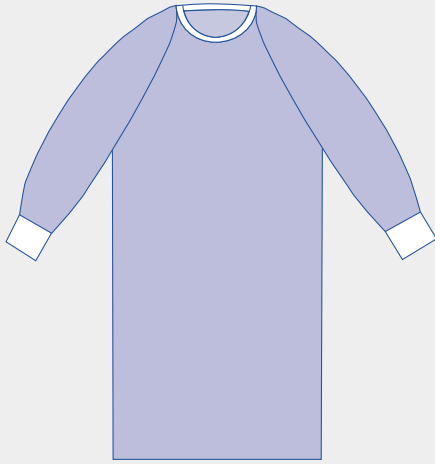
Non-Sterile Item Number: SPT-2708

**XX-Large (49", 124 cm)**

**DYNJP2709**

*Packaging: 18/cs*

Non-Sterile Item Number: SPT-2709




---

**Aurora Gown, Non-Reinforced, Raglan Sleeve**
**Large (45", 114 cm)**
**DYNJP2801**
*Packaging: 32/cs*

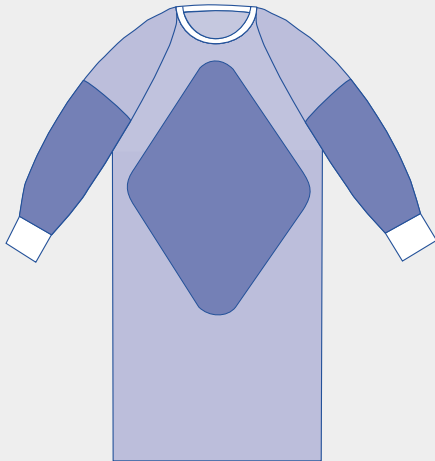
Non-Sterile Item Number: SPT-2801

**X-Large (48", 122 cm)**
**DYNJP2802**
*Packaging: 30/cs*

Non-Sterile Item Number: SPT-2802

**XX-Large (50", 127 cm)**
**DYNJP2803**
*Packaging: 28/cs*

Non-Sterile Item Number: SPT-2803




---

**Aurora Gown, Fabric Reinforced, Raglan Sleeve**
**Large (45", 114 cm)**
**DYNJP2804**
*Packaging: 30/cs*

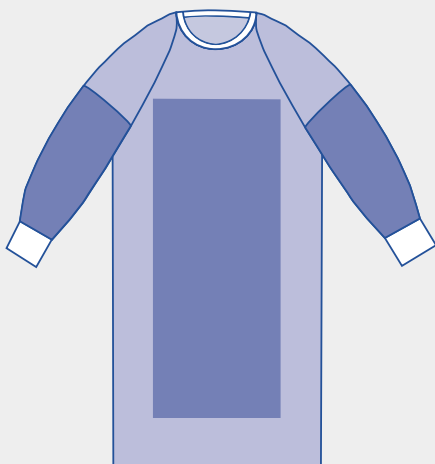
Non-Sterile Item Number: SPT-2804

**X-Large (48", 122 cm)**
**DYNJP2805**
*Packaging: 28/cs*

Non-Sterile Item Number: SPT-2805

**XX-Large (50", 127 cm)**
**DYNJP2806**
*Packaging: 28/cs*

Non-Sterile Item Number: SPT-2806




---

**Aurora Gown, Poly-Reinforced, Raglan Sleeve**
**Large (45", 114 cm)**
**DYNJP2807**
*Packaging: 32/cs*

Non-Sterile Item Number: SPT-2807

**X-Large (48", 122 cm)**
**DYNJP2808**
*Packaging: 30/cs*

Non-Sterile Item Number: SPT-2808

**XX-Large (50", 127 cm)**
**DYNJP2809**
*Packaging: 28/cs*

Non-Sterile Item Number: SPT-2809



*Eclipse*



# Eclipse<sup>®</sup> Surgical Gowns

*Eclipse gowns offer everyday protection and comfort.*

## Comfort you can feel

The first feature you will notice about the Eclipse gown is the way it feels. The soft, cloth-like texture says “comfort” as soon as you put it on. Those who spend much of their day in a surgical gown will appreciate the comfort of Eclipse.

## Generous sizing

Eclipse gowns are cut wider through the chest and sleeves for a roomier fit.

## Adjustable neckline


The Eclipse gowns feature a velcro-style neck closure that allows the neckline to easily adjust to a wide variety of people. In addition, the velcro-style closure helps prevent gapping in the front of the gown to further help protect against fluids.

## Made with breathable Softesse™ medical fabric from DuPont™

For more than 25 years, DuPont Softesse medical fabric has been considered an industry standard for medical gowns and drapes. The fabric features advanced material technology that provides a splash resistant barrier that’s breathable. It keeps you cool and comfortable while you work, helping you feel confident and in control.

## Variety of styles

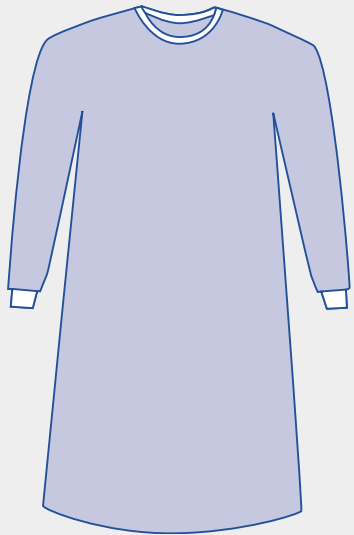
Eclipse gowns feature a variety of styles and protection levels including non-reinforced, fabric reinforced and poly reinforced gowns that are also available with breathable sleeves and extra-long sizing.

<i>Eclipse Protection and Comfort Levels</i>			
	GOOD	BETTER	BEST
Protection			
Comfort			



Proxima Protection Products from Medline  
*All products are sterile and latex free unless otherwise indicated.*






---

**Eclipse® Gown, Non-Reinforced**
**Large (43", 109 cm)**
**DYNJP2001**
*Packaging: 30/cs*

Non-Sterile Item Number: SPT-2001

**X-Large (47", 119 cm)**
**DYNJP2002**
*Packaging: 30/cs*

Non-Sterile Item Number: SPT-2002

**XX-Large (49", 124 cm)**
**DYNJP2003**
*Packaging: 18/cs*

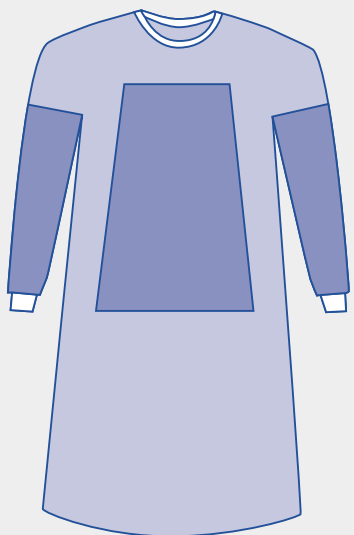
Non-Sterile Item Number: SPT-2003

**XXX-Large (50", 127 cm)**
**DYNJP2004**
*Packaging: 18/cs*

Non-Sterile Item Number: SPT-2004

**Small (41", 104 cm)**
**DYNJP2005**
*Packaging: 30/cs*

Non-Sterile Item Number: SPT-2005



---

**Eclipse® Gown, Fabric Reinforced****Large (43", 109 cm)****DYNJP2101***Packaging: 30/cs*

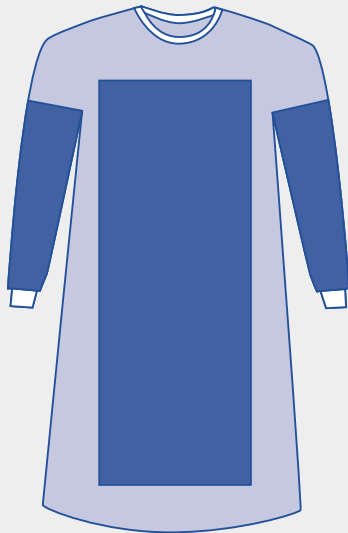
Non-Sterile Item Number: SPT-2101

**X-Large (47", 119 cm)****DYNJP2102***Packaging: 30/cs*

Non-Sterile Item Number: SPT-2102

**XX-Large (49", 124 cm)****DYNJP2103***Packaging: 18/cs*

Non-Sterile Item Number: SPT-2103




---

**Eclipse® Plus Gown, Poly-Reinforced  
Large (43", 109 cm)**
**DYNJP2201***Packaging: 30/cs*

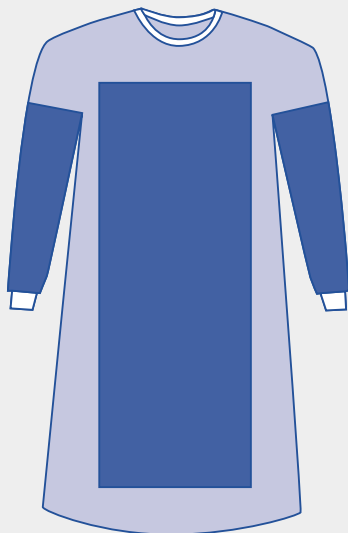
Non-Sterile Item Number: SPT-2201

**X-Large (47", 119 cm)****DYNJP2202***Packaging: 30/cs*

Non-Sterile Item Number: SPT-2202

**XX-Large (49", 124 cm)****DYNJP2203***Packaging: 18/cs*

Non-Sterile Item Number: SPT-2203




---

**Eclipse® Plus Gown, Poly-Reinforced, Extra Long**
**Large, Extra Long (52", 132 cm)****DYNJP2204***Packaging: 28/cs*

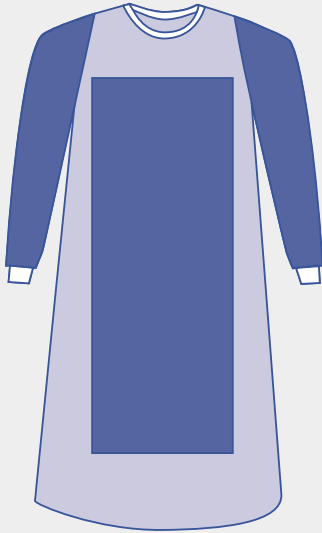
Non-Sterile Item Number: SPT-2204

**X-Large, Extra Long (56", 142 cm)****DYNJP2205***Packaging: 28/cs*

Non-Sterile Item Number: SPT-2205

**XX-Large, Extra Long (56", 142 cm)****DYNJP2206***Packaging: 18/cs*

Non-Sterile Item Number: SPT-2206



---

**Eclipse® Plus Gown, Poly-Reinforced,  
Breathable Sleeves****Large (43", 109 cm)****DYNJP2207***Packaging: 30/cs*

Non-Sterile Item Number: SPT-2207

**X-Large (47", 119 cm)****DYNJP2208***Packaging: 30/cs*

Non-Sterile Item Number: SPT-2208

**XX-Large (49", 124 cm)****DYNJP2209***Packaging: 18/cs*

Non-Sterile Item Number: SPT-2209

**XXX-Large (50", 127 cm)****DYNJP2212***Packaging: 18/cs*

Non-Sterile Item Number: SPT-2212

*(Non-Sterile item numbers are for use in custom trays; not sold separately)*

# Cool-Zone<sup>®</sup> Surgical Gowns

*Cool-Zone gowns offer the ultimate in comfort.*

## Stay Cooler

The back of the Cool-Zone gown features unique comfort panels made of lightweight fluid-repelling fabric that is breathable—allowing body heat to escape.

## Soft and Comfortable

The front and sleeve areas of the Cool-Zone gown are made of an exceptionally soft, yet fluid repellent fabric which offers superior strength and protection against strikethrough.

## Adjustable neckline

The Cool-Zone gown features a velcro-style neck closure that easily accommodates various neck sizes for a custom, comfortable fit. Not only are the neck closures easy to use, the heavy velcro assures secure fastening with less chance of accidental opening.

## Bonded Sleeves




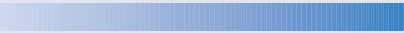


Cool-Zone Gowns feature bonded sleeves (instead of stitched sleeves) for additional protection against strikethrough.

## Variety of Protection Levels

Cool-Zone gowns are available in, fabric-reinforced and impervious-reinforced styles. Even with the highest level of protection afforded by the impervious reinforced gown, Cool-Zone panels provide that extra level of comfort needed for extended procedures.

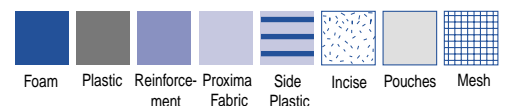
## Knit Cuffs

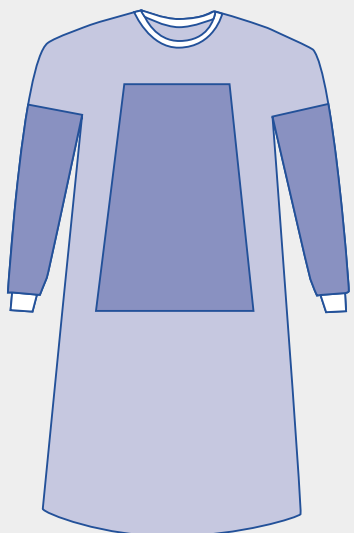
The soft knit cuffs are not only comfortable, but their length facilitates closed gloving.

<i>Cool-Zone Protection and Comfort Levels</i>			
	GOOD	BETTER	BEST
Protection			
Comfort			



Proxima Protection Products from Medline  
*All products are sterile and latex free unless otherwise indicated.*






---

**Cool Zone®, Fabric Reinforced**
**Large (43", 109 cm)**
**DYNJP2104**
*Packaging: 30/cs*

Non-Sterile Item Number: SPT-2104

**X-Large (47", 119 cm)**
**DYNJP2105**
*Packaging: 30/cs*

Non-Sterile Item Number: SPT-2105

---

**Cool Zone®, Poly-Reinforced**
**Large (43", 109 cm)**
**DYNJP2213**
*Packaging: 30/cs*

Non-Sterile Item Number: SPT-2213

**X-Large (47", 119 cm)**
**DYNJP2214**
*Packaging: 30/cs*

Non-Sterile Item Number: SPT-2214



*Prevention*



# Prevention<sup>TM</sup> Surgical Gowns

*Prevention gowns offer the highest level of protection with breathable microporous technology.*

## **Microporous technology provides best combination of protection and comfort**

Offers a high level of protection while providing increased breathability and comfort. Based on microporous film technology, Prevention gowns “breathe,” allowing moisture vapor to escape while preventing transmission of fluids. This is possible because moisture vapor is a thousand times smaller than the smallest viruses.

## **Sonically-sealed seams prevent strike through**

Prevention gowns feature sonically-sealed seams (instead of stitched seams) to prevent strike through where the sleeves are joined to the body of the gown.

## **Impervious protection**

Meets ASTM test for viral penetration (ASTM F1671) and ASTM test for blood penetration (ASTM F1670).

## **Flame resistant**

Prevention gowns meet the Standard for Flammability of Clothing Textiles CPSC 16 CFR Part 1610.

## **Generous sizing**

Cut wider through the chest and sleeves for a roomier fit. Plus, they’re longer than other surgical gowns to provide a greater area of protection.

## **Adjustable neckline**

Prevention gowns feature a velcro-style neck closure that allows the neckline to easily adjust to a wide variety of people. In addition, the velcro-style closure helps prevent gapping in the front of the gown to further help protect against fluids.



*Prevention Gown’s breathable, microporous film technology protects against the visually undetectable while still allowing moisture vapor to escape.*



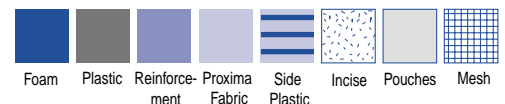
*Sonically-sealed seams provide a higher level of protection*

<i>Prevention Protection and Comfort Levels</i>			
	GOOD	BETTER	BEST
Protection			
Comfort			



Proxima Protection Products from Medline

*All products are sterile and latex free unless otherwise indicated.*






---

**Prevention™ Gown, Breathable, Impervious**
**Large (45", 114 cm)**
**DYNJP2301**
*Packaging: 24/cs*

Non-Sterile Item Number: 19310

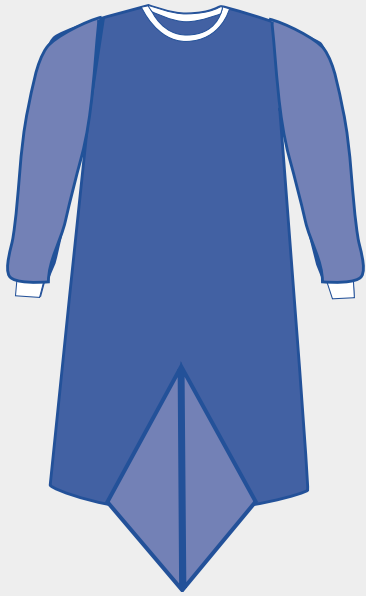
**X-Large, Extra Long (56", 142 cm)**
**DYNJP2302**
*Packaging: 24/cs*

Non-Sterile Item Number: 21394

**XX-Large, Extra Long (56", 142 cm)**
**DYNJP2303**
*Packaging: 22/cs*

Non-Sterile Item Number: SPT-2303

*Prevention™ gowns pass tests for  
Fluid Penetration ASTM F 1670-  
95 and Viral Penetration F1671-95*



---

**Specialty Gown, Impervious with Pleat****X-Large (52.5", 133 cm)****DYNJP2304***Packaging: 30/cs*

Non-Sterile Item Number: SPT-2304



*Sirus*

# Sirus™ Surgical Gowns

*Sirus gowns offer a level of comfort superior to other SMS gowns.*

## Better fit and adjustable

Sirus gowns are roomier in the chest and sleeves to help provide a better fit. They also feature an adjustable velcro-style neck closure.

## Flame resistant

Sirus gowns are resistant to ignition. The fabric has a naturally low rate of flame spread and meets the Standard for Flammability of Clothing Textiles CPSC 16 CFR Part 1610.

## Low-linting

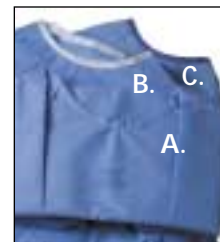
Sirus gowns are low linting. Because they are made from polypropylene, the gowns are naturally low in lint.

## Four layers of protection

Our SMS technology utilizes four layers of fabric to provide a high level of fluid repellency. This helps provide a barrier to blood, body fluids and pathogens. The fabric features two densely-packed meltblown layers sandwiched between two strong, spunbond outer layers.

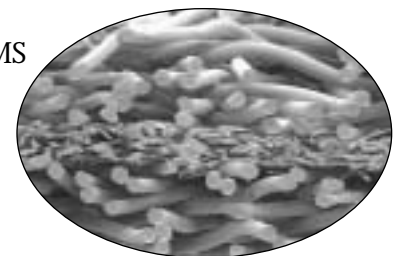
## Easy size identification

Each style of Sirus gown has a color-coded neckline for easy identification. (A. Non-Reinforced, B. Fabric-reinforced, C. Poly-reinforced)



## Breathable and more comfortable than other SMS gowns

Moisture vapor escapes at nearly twice the rate as other SMS gowns, allowing you to remain more comfortable.



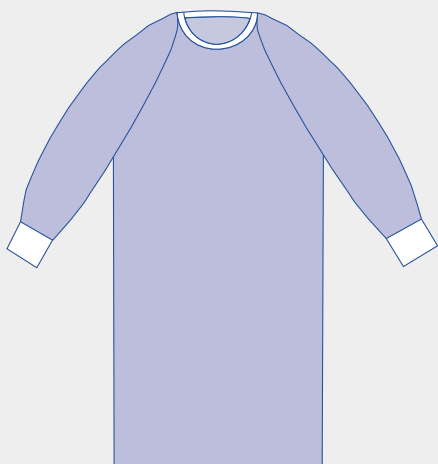
*SMS layers as viewed under a microscope*

<i>Sirus Protection and Comfort Levels</i>			
	GOOD	BETTER	BEST
Protection			
Comfort			



Proxima Protection Products from Medline  
*All products are sterile and latex free unless otherwise indicated.*






---

**Sirus™ Gown, Non-Reinforced**
**Large (45", 114 cm)**
**DYNJP2401**
*Packaging: 32/cs*

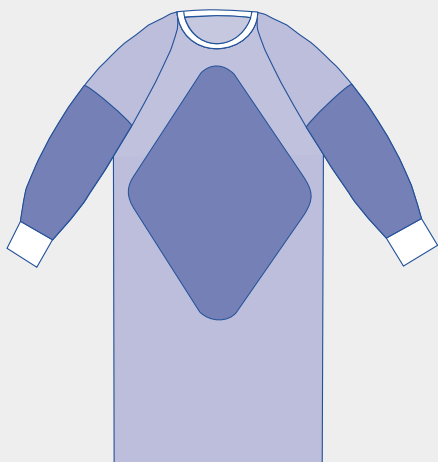
Non-Sterile Item Number: SPT-2401SMS

**X-Large (48", 122 cm)**
**DYNJP2402**
*Packaging: 30/cs*

Non-Sterile Item Number: SPT-2402SMS

**XX-Large (50", 127 cm)**
**DYNJP2403**
*Packaging: 28/cs*

Non-Sterile Item Number: SPT-2403SMS




---

**Sirus™ Gown, Fabric Reinforced**
**Large (45", 114 cm)**
**DYNJP2501**
*Packaging: 30/cs*

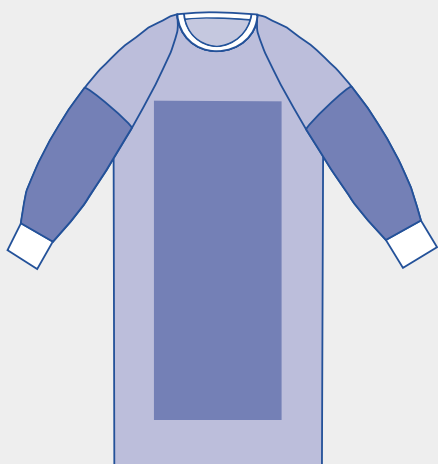
Non-Sterile Item Number: SPT-2501SMS

**X-Large (48", 122 cm)**
**DYNJP2502**
*Packaging: 28/cs*

Non-Sterile Item Number: SPT-2502SMS

**XX-Large (50", 127 cm)**
**DYNJP2503**
*Packaging: 28/cs*

Non-Sterile Item Number: SPT-2503SMS




---

**Sirus™ Gown, Poly-Reinforced**
**Large (45", 114 cm)**
**DYNJP2601**
*Packaging: 32/cs*

Non-Sterile Item Number: SPT-2601SMS

**X-Large (48", 122 cm)**
**DYNJP2602**
*Packaging: 30/cs*

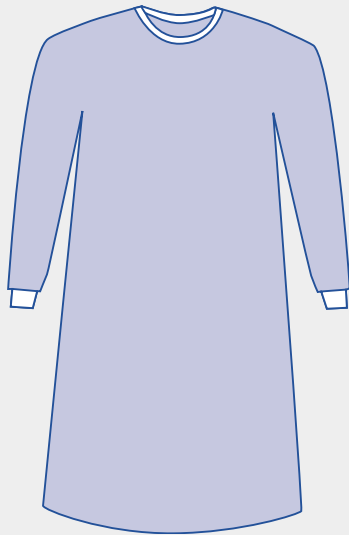
Non-Sterile Item Number: SPT-2602SMS

**XX-Large (50", 127 cm)**
**DYNJP2603**
*Packaging: 28/cs*

Non-Sterile Item Number: SPT-2603SMS



**NON-STERILE SURGICAL GOWNS**




---

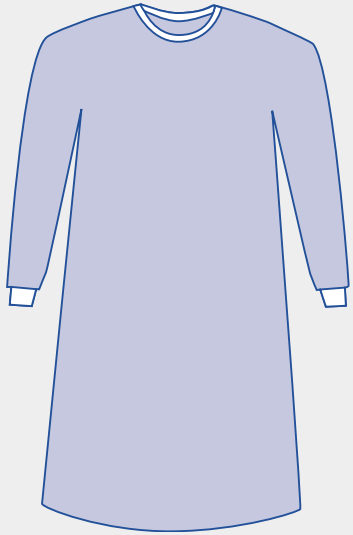
**Eclipse® Gown, Non-Reinforced, Non-Sterile**
**Large (43", 109 cm)**
**DYNJP2901**
*Packaging: 50/cs*
**X-Large (47", 119 cm)**
**DYNJP2902**
*Packaging: 50/cs*



---

**Prevention™ Gown, Breathable, Impervious, Non-Sterile**
**Large (45", 114 cm)**
**DYNJP2931**
*Packaging: 50/cs*
**X-Large, Extra Long (56", 142 cm)**
**DYNJP2932**
*Packaging: 50/cs*
**XX-Large, Extra Long (56", 142 cm)**
**DYNJP2933**
*Packaging: 50/cs*





---

**Aurora, Non-Reinforced, Non-Sterile****Large (43", 109 cm)****DYNJP2791***Packaging: 50/cs***X-Large (47", 119 cm)****DYNJP2792***Packaging: 50/cs***XX-Large (49", 124 cm)****DYNJP2793***Packaging: 50/cs*

---

**Aurora, Poly-Reinforced, Non-Sterile****Large (43", 109 cm)****DYNJP2794***Packaging: 50/cs***X-Large (47", 119 cm)****DYNJP2795***Packaging: 50/cs***XX-Large (49", 124 cm)****DYNJP2796***Packaging: 50/cs*

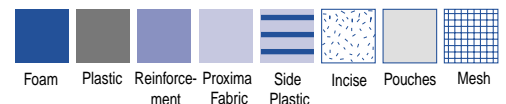




**Proxima**

**BASIC/UNIVERSAL PACKS**

		Page Number	Case Pack	Cardinal Convertors	Molnlycke Barrier	Kimberly Clark	Maxxim Boundary
<b>Basic Packs</b>							
DYNJP1000	Basic Pack I	37	10	9100	1280	88141/88148	BA026
DYNJP1005	Basic Pack II	37	10	9109	—	88138	—
DYNJP1010	Basic Pack III	37	10	9112	—	88131	BA018
DYNJP1015	Basic Pack IV	37	8	9103	1276/1285	88161/88168	BA047
DYNJP1020	Basic Pack V	38	5	9101	1287	88171	BA044
DYNJP1025	Basic Pack VI	38	5	9113	—	88151	BA046
DYNJP1030	Basic Pack VII	38	5	9114	—	—	BA036
DYNJP1035	Basic Pack VIII	39	8	—	0284	—	BA034
DYNJP1036	Basic Pack IX	39	8	9111	—	—	—
DYNJP1038	Basic Pack X	39	6	—	—	—	BA037
<b>Set Up Packs</b>							
DYNJP1040	Set Up Pack I	40	12	114	0182/0282	88111	BA008
DYNJP1045	Set Up Pack II	40	13	117	—	88121/88128	BA010
DYNJP1046	Heavy Duty Set Up Pack	40	4	119	—	—	—
<b>Universal Packs</b>							
DYNJP1050	Universal Pack I	42	5	9106	1268	88761/89454	UP020
DYNJP1055	Universal Pack II	42	7	29107	—	88766	UP025
DYNJP1060	Universal Split Pack	43	4	—	—	—	—
DYNJP1065	Universal Split Pack II	44	7	29131	0178	88331	—
DYNJP1070	Universal Split Pack III	44	4	—	—	—	BC010
<b>Drape Sheets</b>							
DYNJP2410	Half Drape (40" x 58", 102 x 147 cm)	49	20	9358	1225	89108	DS016
DYNJP2411	Half Drape, Economy (40" x 58", 102 x 147 cm)	49	20	—	—	—	—
DYNJP2412	Medium Drape (40" x 70", 102 x 178 cm)	49	20	9355	1227	89118	DS018
DYNJP2413	Medium Drape, Economy (40" x 70", 102 x 178 cm)	49	20	—	—	—	—
DYNJP2414	¾ (53" x 77", 135 x 196 cm)	49	20	9349	1209/1228	89121/89126/89128	DS026
DYNJP2415	¾ Drape, Economy (53" x 77", 135 x 196 cm)	49	20	—	—	—	—
DYNJP2416	¾ Drape, Reinforced (53" x 77", 135 x 196 cm)	49	20	29350	1289	89141	DS035
DYNJP2417	Large Drape (70" x 85", 178 x 216 cm)	49	20	9446	—	—	DS040
DYNJP2418	Impervious Drape Sheet (44" x 65", 112 x 165 cm)	49	20	—	0225	—	PS010
DYNJP2419	Full Drape (70" x 100", 178 x 254 cm)	49	12	9444	1288	89131/89138	DS052
DYNJP2497	Slush Drape (44" x 44", 112 x 112 cm)	49	40	—	—	—	—
<b>Accessories</b>							
DYNJP2210	Absorbent Towels, Bulk, Non-Sterile (13" x 26", 33 x 66 cm)	49	200	5550	9545	79720	AT022
DYNJP2215	Prepping Pad, Non-Sterile (24" x 41", 61 x 104 cm)	49	100	8750	0213	—	PP010NS
DYNJP2216	Velcro-Style Tabs	49	50	—	—	—	—
DYNJP2217	Prepping Pad, U, Non-Sterile (30" x 43", 76 x 109 cm)	49	100	—	—	—	PP20NS
DYNJP2220	Absorbent Towels, Sterile, Two Per Pack (13" x 26", 33 x 66 cm)	49	100	7550	0245	89701	AT012
DYNJP2230	Absorbent Floor Mat (20" x 40", 51 x 102 cm), Non-Sterile	49	25	—	—	—	—
DYNJP2405	Utility Drapes with Tape (15" x 26", 38 x 66 cm) (2 pk)	49	100	7553	—	89731	DT012
DYNJP2406	Utility Drapes with Tape (15" x 26", 38 x 66 cm) (4 pk)	49	50	—	1249	—	—
DYNJP2408	Utility Drapes with Tape, X-Large (20" x 30", 51 x 76 cm) (4 pk)	49	50	7554	—	—	DT015
DYNJP2460	Leggings, Two Per Pack (29" x 43", 74 x 109 cm)	49	20	8420	1255	89401/89408	LG015
DYNJP2461	Leggings, X-Large, Two Per Pack (33" x 51", 84 x 130 cm)	49	20	—	0255	—	—
DYNJP2462	Leggings, Clear, two per pack (33" x 49", 84 x 124 cm)	49	20	8430	—	—	LG030
DYNJP2494	Drape Tape Strips (4½" x 27", 11 x 69 cm)	49	50	3524	5220	89041	—
DYNJP2500	Mayo Stand Cover (24" x 53", 61 x 135 cm)	49	30	8337	1244	89601	MC010A
DYNJP2510	Mayo Stand Cover, X-Large (30" x 57", 76 x 145 cm)	49	22	8339	0144	89602	MC020
DYNJP2000	Gown Sleeves (23" Long, 58 cm)	49	60	599T	—	89791	SS010
NON22520	Impervious Stockinette (6" x 30", 15 x 76 cm)	49	24	1584	0272	92514	15010
NON22530	Impervious Stockinette (9" x 36", 23 x 91 cm)	49	15	1585/1586	0273	89811/92515	15015
NON22535	Impervious Stockinette (12" x 48", 30 x 122 cm)	49	10	1587	0274	89821	15020
NON22540	Impervious Stockinette (14" x 48", 36 x 122 cm)	49	10	—	—	—	—
<b>Table Covers</b>							
DYNJP2309	Table Cover, Reinforced (44" x 76", 112 x 193 cm)	49	22	8376	—	—	TC016
DYNJP2311	Table Cover, Reinforced (44" x 90", 112 x 229 cm)	49	22	8377	0260	89611/89618	TC010
DYNJP2312	Overhead Table Cover, Reinforced (77" x 90", 196 x 229 cm)	49	22	8380	0290	89621/89641	TC020/TC030HD
DYNJP2313	Table Cover, Heavy Duty (77" x 96" with extension, 196 x 244 cm)	49	12	9385	1296	89621/89641	TC021
DYNJP2314	Table Cover, Heavy Duty (60" x 90", 152 x 229 cm)	49	12	8379	0266	—	TC023HD
DYNJP2316	Table Cover, Reinforced (50" x 90", 127 x 229 cm)	49	24	8378	0260	89631	TC025
DYNJP2317	Table Cover, Heavy Duty (79" x 110", 201 x 279 cm)	49	12	8385	0264	89908	TC040HD
DYNJP2318	Table Cover, Heavy Duty (77" x 90", 196 x 229 cm)	49	12	—	—	—	—
DYNJP2319	Table Cover, Heavy Duty (50" x 90", 127 x 229 cm)	49	12	—	0266	—	TC025HD
DYNJP2320	Table Cover, Reinforced (60" x 90", 152 x 229 cm)	49	22	8386	0266	89631	—
DYNJP2322	Overhead Table Cover, (80" x 84" with extension, 203 x 213 cm)	49	12	—	1296	—	—



---

**Basic Pack I** **DYNJP1000**

- 2 Hand towels
- 1 Mayo stand cover, 24" x 53" (61 x 135 cm)
- 1  $\frac{3}{4}$  Drape, 53" x 77" (135 x 196 cm)
- 1  $\frac{1}{2}$  Drape, 40" x 58" (102 x 147 cm)
- 4 Utility drapes with adhesive, 15" x 26" (38 x 66 cm)
- 1 Suture bag
- 1 Table cover, reinforced poly, 50" x 90" (127 x 229 cm)

*Packaging: 10/cs*

---

**Basic Pack II** **DYNJP1005**

- 1 Mayo stand cover, 24" x 53" (61 x 135 cm)
- 1  $\frac{3}{4}$  Drape, 53" x 77" (135 x 196 cm)
- 1 Suture bag
- 1 Table cover, reinforced poly, 50" x 90" (127 x 229 cm)

*Packaging: 10/cs*

---

**Basic Pack III** **DYNJP1010**

- 1 Mayo stand cover, 24" x 53" (61 x 135 cm)
- 1  $\frac{3}{4}$  drape, 53" x 77" (135 x 196 cm)
- 4 Utility drapes with adhesive, 15" x 26" (38 x 66 cm)
- 1 Suture bag
- 1 Table cover, reinforced poly, 50" x 90" (127 x 229 cm)

*Packaging: 10/cs*

---

**Basic Pack IV** **DYNJP1015**

- 1 Gown, large, non-reinforced with towel in outer wrap
- 3 Hand towels
- 1 Gown, X-Large, non-reinforced
- 1 Mayo stand cover, 24" x 53" (61 x 135 cm)
- 1  $\frac{3}{4}$  drape, 53" x 77" (135 x 196 cm)
- 1  $\frac{1}{2}$  drape, 40" x 58" (102 x 147 cm)
- 4 Utility drapes with adhesive, 15" x 26" (38 x 66 cm)
- 1 Suture bag
- 1 Table cover, reinforced poly, 50" x 90" (127 x 229 cm)

*Packaging: 8/cs*

**Basic Pack V****DYNJP1020**

- 1 Gown, large, non-reinforced with towel in outer wrap
- 1 Gown, large, non-reinforced
- 1 Mayo stand cover, 24" x 53" (61 x 135 cm)
- 4 Utility drapes with adhesive, 15" x 26" (38 x 66 cm)
- 1 Suture bag
- 1 Table cover, reinforced poly, 50" x 90" (127 x 229 cm)

*Packaging: 5/cs***Basic Pack VI****DYNJP1025**

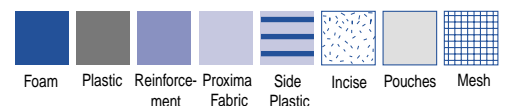
- 1 Gown, large, non-reinforced with towel in outer wrap
- 3 Hand towels
- 1 Gown, X-Large, non-reinforced
- 1 Mayo stand cover, 24" x 53" (61 x 135 cm)
- 1 ¾ drape, 53" x 77" (135 x 196 cm)
- 4 Utility drapes with adhesive, 15" x 26" (38 x 66 cm)
- 1 Suture bag
- 1 Table cover, reinforced poly, 50" x 90" (127 x 229 cm)

*Packaging: 5/cs***Basic Pack VII****DYNJP1030**

- 1 Gown, large, poly-reinforced with towel in outer wrap
- 3 Hand towels
- 1 Gown, X-Large, poly-reinforced
- 1 Mayo stand cover, 24" x 53" (61 x 135 cm)
- 1 ¾ drape, 53" x 77" (135 x 196 cm)
- 4 Utility drapes with adhesive, 15" x 26" (38 x 66 cm)
- 1 Suture bag
- 1 Table cover, reinforced poly, 50" x 90" (127 x 229 cm)

*Packaging: 5/cs*

Proxima Protection Products from Medline

*All products are sterile and latex free unless otherwise indicated.*

---

**Basic Pack VIII** **DYNJP1035**

- 1 Gown, large, poly-reinforced with towel in outer wrap
- 3 Hand towels
- 1 Gown, X-Large, poly-reinforced
- 1 Mayo stand cover, 24" x 53" (61 x 135 cm)
- 4 Utility drapes with adhesive, 15" x 26" (38 x 66 cm)
- 1 Suture bag
- 1 Table cover, reinforced poly, 50" x 90" (127 x 229 cm)

*Packaging: 8/cs*

---

**Basic Pack IX** **DYNJP1036**

- 1 Gown, large, fabric reinforced with towel in outer wrap
- 3 Hand towels
- 1 Gown, X-Large, fabric reinforced
- 1 Mayo stand cover, 24" x 53" (61 x 135 cm)
- 1  $\frac{3}{4}$  drape, 53" x 77" (135 x 196 cm)
- 1  $\frac{1}{2}$  drape, 40" x 58" (102 x 147 cm)
- 4 Utility drapes with adhesive, 15" x 26" (38 x 66 cm)
- 1 Suture bag
- 1 Table cover, reinforced poly, 50" x 90" (127 x 229 cm)

*Packaging: 8/cs*

---

**Basic Pack X** **DYNJP1038**

- 2 Gowns, large, Cool Zone, fabric reinforced
- 2 Hand towels
- 1 Mayo stand cover, 24" x 53" (61 x 135 cm)
- 1  $\frac{3}{4}$  drape, 53" x 77" (135 x 196 cm)
- 1  $\frac{1}{2}$  drape, 40" x 58" (102 x 147 cm)
- 4 Utility drapes with adhesive, 15" x 26" (38 x 66 cm)
- 1 Suture bag
- 1 Table cover, reinforced poly, 50" x 90" (127 x 229 cm)

*Packaging: 6/cs*

---

**Set Up Pack I****DYNJP1040**

- 1 Mayo stand cover, 24" x 53" (61 x 135 cm)
- 1 Suture bag
- 1 Table cover, reinforced poly, 50" x 90" (127 x 229 cm)

*Packaging: 12/cs*

---

**Set Up Pack II****DYNJP1045**

- 1 Mayo stand cover, 24" x 53" (61 x 135 cm)
- 4 Utility drapes with adhesive, 15" x 26" (38 x 66 cm)
- 1 Suture bag
- 1 Table cover, reinforced poly, 50" x 90" (127 x 229 cm)

*Packaging: 13/cs*

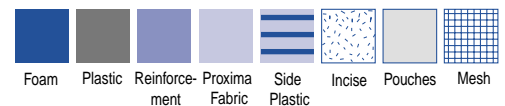
---

**Heavy Duty Set Up Pack****DYNJP1046**

- 1 Mayo stand cover, 24" x 53" (61 x 135 cm)
- 4 XL Utility drapes with adhesive, 20" x 30" (51 x 76 cm)
- 1 Impervious Stockinette, 12" x 48" (30 x 122 cm)
- 1 Suture bag
- 1 Impervious U-Drape, 54" x 76" (137 x 193 cm)
- 1 Table cover, heavy duty, 60" x 90" (152 x 229 cm)

*Packaging: 4/cs*

Proxima Protection Products from Medline

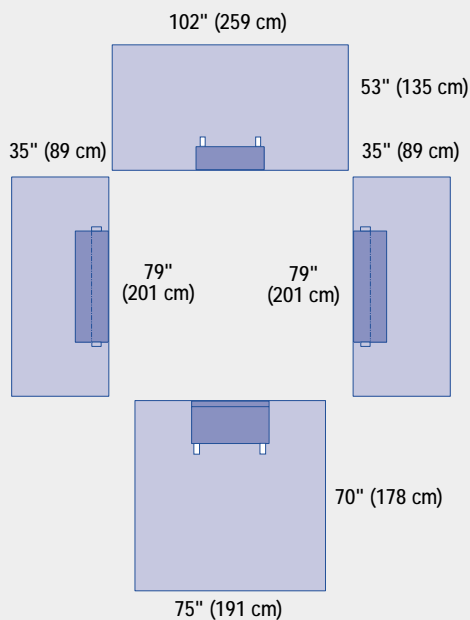
*All products are sterile and latex free unless otherwise indicated.*



## Basic Pack Comparison Chart

Product	Item Number	Gown Non-Reinforced		Gown, Fabric Reinforced		Gown, Poly Reinforced		Hand Towel	1/2 Drape	3/4 Drape	Mayo Cover	Utility Drape	Suture Bag
		L	XL	L	XL	L	XL						
Basic Pack I	DYNJP1000							2	1	1	1	4	1
Basic Pack II	DYNJP1005									1	1		1
Basic Pack III	DYNJP1010									1	1	4	1
Basic Pack IV	DYNJP1015	1*	1					3	1	1	1	4	1
Basic Pack V	DYNJP1020	2 (1*)									1	4	1
Basic Pack VI	DYNJP1025	1*	1					3		1	1	4	1
Basic Pack VII	DYNJP1030					1*	1	3		1	1	4	1
Basic Pack VIII	DYNJP1035					1*	1	3			1	4	1
Basic Pack IX	DYNJP1036			1*	1			3	1	1	1	4	1
Basic Pack X	DYNJP1038			2				2	1	1	1	4	1
Set Up Pack I	DYNJP1040										1		1
Set Up Pack II	DYNJP1045										1	4	1
Set Up Pack	DYNJP1046										1	4	1

\*indicates gown in outer fold



#### Top, Side and Bottom Drapes included in packs DYNJP1050, DYNJP1055

- Absorbent reinforcement:
  - Top Drape 29" x 10" (74 x 25 cm)
  - Bottom Drape 29" x 16" (74 x 41 cm)
  - Side Drape 8" x 40" (20 x 102 cm)
- Adhesive along reinforced edge
- Velcro-style line holders
- Side Drapes form 4" x 40" Trough (10 x 102 cm)

#### Universal Pack I

DYNJP1050

- 1 Mayo stand cover, 24" x 53" (61 x 135 cm)
- 2 Side drapes
- 1 Bottom drape
- 1 Top drape
- 1 Suture bag
- 1 Table cover, reinforced poly, 50" x 90" (127 x 229 cm)

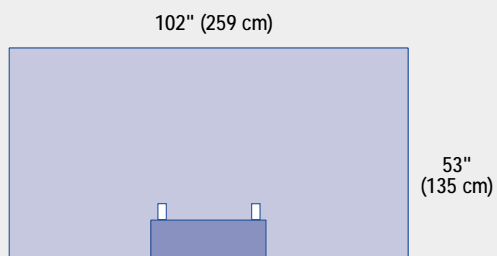
Packaging: 5/cs

#### Universal Pack II

DYNJP1055

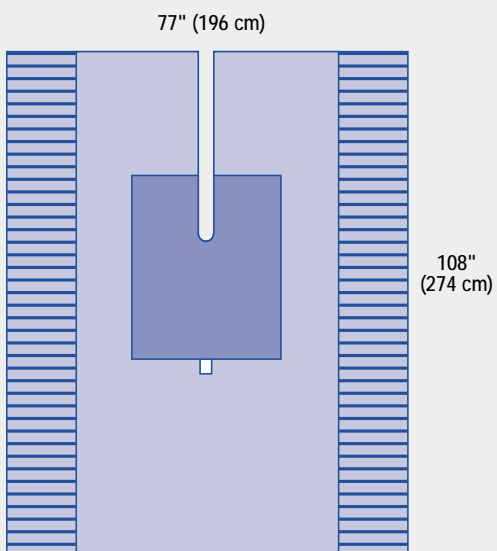
- 1 Gown, large, non-reinforced with towel in outer wrap
- 1 Gown, large, poly reinforced
- 1 Mayo stand cover, 24" x 53" (61 x 135 cm)
- 2 Side drapes
- 1 Bottom drape
- 1 Top drape
- 1 Suture bag
- 1 Table cover, reinforced poly, 50" x 90" (127 x 229 cm)

Packaging: 7/cs



#### Top Drape included in pack DYNJP1060

- Absorbent reinforcement, 29" x 110" (74 x 25 cm)
- Adhesive along reinforced edge
- Velcro-style line holders
- Drape also sold separately as DYNJP4002, sterile



#### Split Drape included in pack DYNJP1060

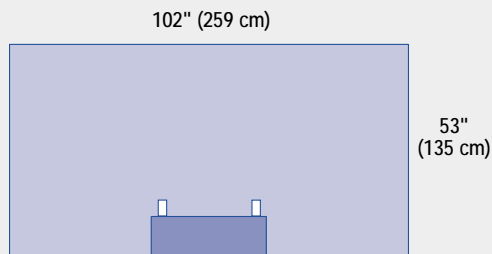
- Absorbent reinforcement, 36" x 29" (91 x 74 cm)
- Split with adhesive, 2.5" x 37" (6 x 94 cm)
- Velcro-style line holder
- Drape also sold separately as DYNJP2498, sterile

### Universal Split Pack

DYNJP1060

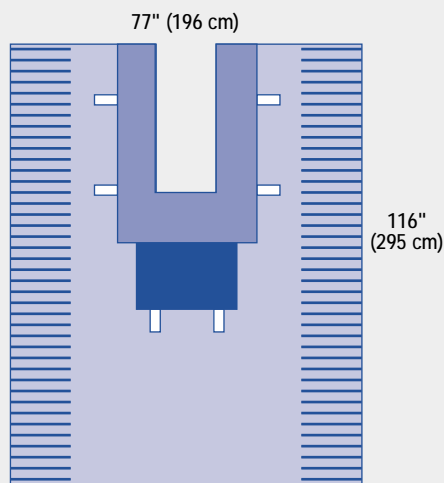
- 1 Mayo stand cover
- 4 Utility drapes with adhesive, 15" x 26" (38 x 66 cm)
- 1 Top drape
- 1 Suture bag
- 1 Split drape
- 1 Table cover, reinforced poly, 50" x 90" (127 x 229 cm)

Packaging: 4/cs



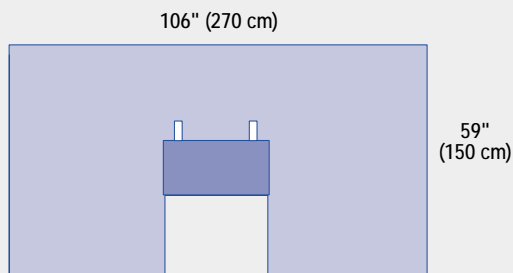
#### Top Drape included in pack DYNJP1065

- Absorbent reinforcement, 29" x 10" (74 x 25 cm)
- Velcro-style line holders
- Adhesive along reinforced edge
- Drape also sold separately as DYNJP4002, sterile



#### Universal Split Drape included in packs DYNJP1065, DYNJP1070

- Absorbent reinforcement, 23" x 40" (58 x 102 cm)
- Split with adhesive, 9" x 30" (23 x 76 cm)
- Instrument pad
- Six velcro-style line holders



#### Top Drape with Armboard Covers included in pack DYNJP1070

- Absorbent reinforcement, 24" x 16" (61 x 41 cm)
- Split 24" x 19" (61 x 48 cm) with 2" wide (5 cm) adhesive
- Velcro-style line holders
- Drape also sold separately as DYNJP4215, sterile

### Universal Split Pack II

DYNJP1065

- 1 Mayo stand cover, 24" x 53" (61 x 135 cm)
- 1 Top drape
- 1 Universal split drape
- 1 Suture bag
- 1 Table cover, reinforced poly 50" x 90" (127 x 229 cm)

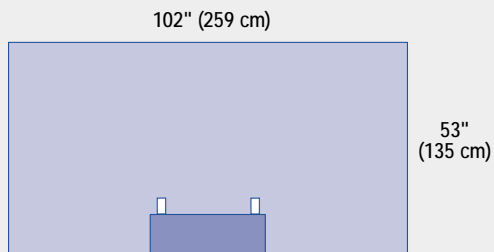
Packaging: 7/cs

### Universal Split Pack III

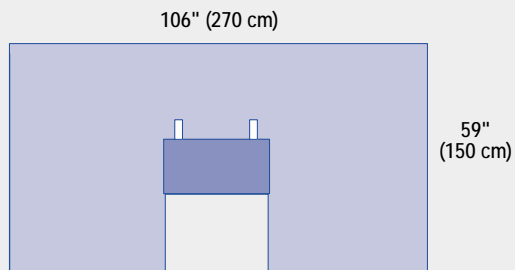
DYNJP1070

- 1 Gown, X-Large, non-reinforced with towel in outer wrap
- 2 Gowns, X-Large, fabric reinforced
- 2 Hand towels
- 1 Mayo stand cover, 24" x 53" (61 x 135 cm)
- 1 Top drape with armboard covers
- 1 Universal split drape
- 1 Suture bag
- 1 Table cover, reinforced poly, 50" x 90" (127 x 229 cm)

Packaging: 4/cs

**Top Drape**

- Absorbent reinforcement, 29" x 10" (74 x 25 cm)
- Adhesive along reinforced edge
- Velcro-style line holders

**Top Drape with Armboard Covers**

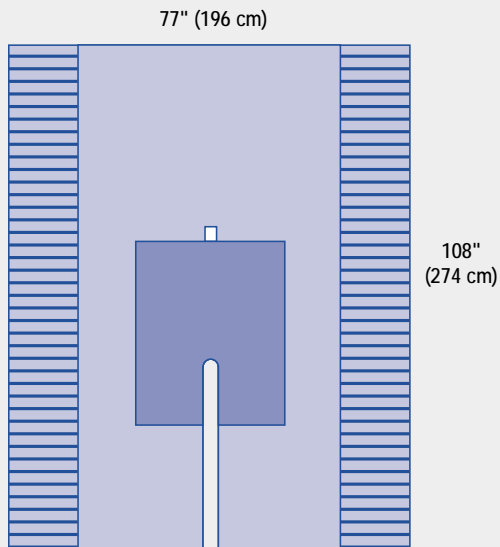
- Absorbent reinforcement, 24" x 16" (61 x 41 cm)
- Split 24" x 19" (61 x 48 cm) with 2" wide (5 cm) adhesive
- Velcro-style line holders

**Proxima Top Drape****DYNJP4002***Packaging: 14/cs*

Non-Sterile Item Number: SPT-4205S

**Proxima Top Drape  
with Armboard Covers****DYNJP4215***Packaging: 20/cs*

Non-Sterile Item Number: SPT-4215S



### Split Drape

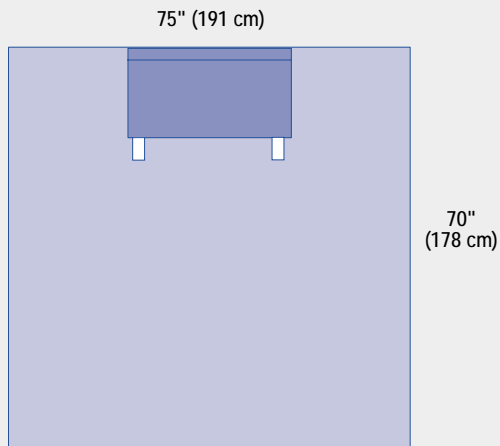
- Absorbent reinforcement, 36" x 29" (91 x 74 cm)
- Split with adhesive, 2½" x 37" (6 x 94 cm)
- Velcro-style line holder

## Proxima Split Drape

DYNJP2498

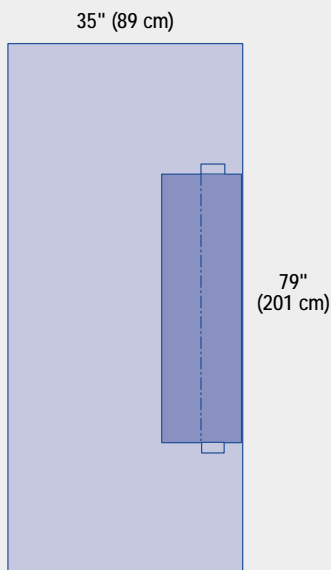
Packaging: 10/cs

Non-Sterile Item Number: SPT-2450S



### Proxima Bottom Drape

- Absorbent reinforcement 29" x 16" (74 x 41 cm)
- Adhesive along reinforced edge
- Velcro-style line holders



### Proxima Side Drape

- Absorbent reinforcement 8" x 40" (20 x 102 cm)
- Adhesive along reinforced edge
- Clipping tabs
- 4" x 40" Fabric Trough (10 x 102 cm)

---

## Proxima Bottom Drape

\*

Non-Sterile Item Number: SPT-4206S

\* *not available sterile*

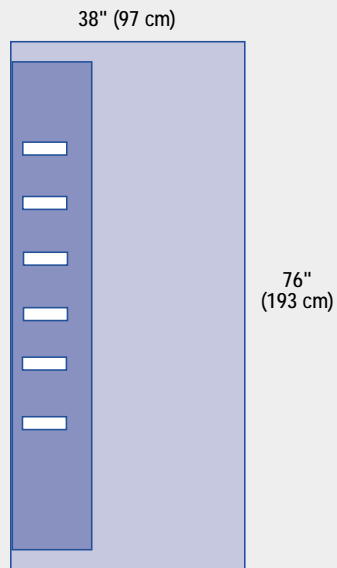
---

## Proxima Side Drape

\*

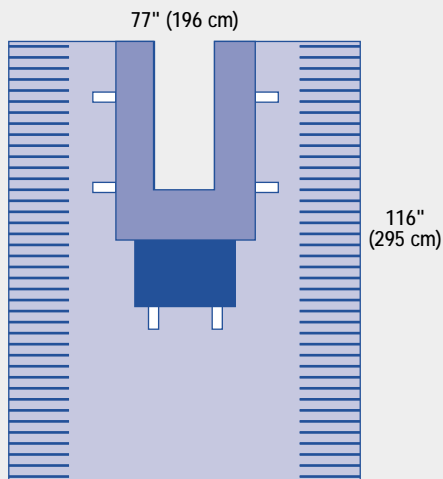
Non-Sterile Item Number: SPT-4207S

\* *not available sterile*



### C-V Side Drape

- Absorbent reinforcement 13½" x 72" (34 x 183cm)
- Adhesive along reinforced edge
- Six velcro-style line holders



### Universal Split Drape

- Absorbent reinforcement 23" x 40" (58 x 102 cm)
- Split with adhesive, 9" x 30" (23 x 76 cm)
- Instrument pad
- Six velcro-style line holders
- Available in DYNJP1065, DYNJP1070

### Proxima C-V Side Drape

\*

Non-Sterile Item Number: SPT-4209S

### Proxima Universal Split Drape

\*

Non-Sterile Item Number: SPT-2453S



**Drape Sheets (fan-folded)**

Half Drape (40" x 58", 102 x 147 cm)  
 Half Drape, Economy (40" x 58", 102 x 147 cm)  
 Medium Drape (40" x 70", 102 x 178 cm)  
 Medium Drape, Economy (40" x 70", 102 x 178 cm)  
 3/4 Drape (53" x 77", 135 x 196 cm)  
 3/4 Drape, Economy (53" x 77", 135 x 196 cm)  
 3/4 Drape, Reinforced (53" x 77", 135 x 196 cm)  
 Large Drape (70" x 85", 178 x 216 cm)  
 Impervious Drape (44" x 65", 112 x 165 cm)  
 Full Drape (70" x 100", 178 x 254 cm)  
 Slush Drape (44" x 44", 112 x 112 cm)

**Table Covers (fan-folded)**

Table Cover, Reinforced (44" x 76", 112 x 193 cm)  
 Table Cover, Reinforced (44" x 90", 112 x 229 cm)  
 Overhead Table Cover, Reinforced (77" x 90", 196 x 229 cm)  
 Table Cover, Heavy Duty (77" x 96" with extension, 196 x 244 cm)  
 Table Cover, Heavy Duty (60" x 90", 152 x 229 cm)  
 Table Cover, Reinforced (50" x 90", 127 x 229 cm)  
 Table Cover, Heavy Duty (79" x 110", 201 x 279 cm)  
 Table Cover, Heavy Duty (77" x 90", 196 x 229 cm)  
 Table Cover, Heavy Duty (50" x 90", 127 x 229 cm)  
 Table Cover, Reinforced (60" x 90", 152 x 229 cm)  
 Overhead Table Cover, (80" x 84" with extension, 203 x 213 cm)  
 Table Cover, Heavy Duty (79" x 100", 201 x 254 cm)  
 O.R. Table Cover (60" x 76", 152 x 193 cm)

\* not available sterile

**Accessories**

Absorbent Towels, Bulk, Non-Sterile (13" x 26", 33 x 66 cm)  
 Absorbent Towels, Sterile, Two Per Pack (13" x 26", 33 x 66 cm)  
 Leggings, Two Per Pack (29" x 43", 74 x 109 cm)  
 Leggings, X-Large, Two Per Pack (33" x 51", 84 x 130 cm)  
 Leggings, Clear, Two per pack (33" x 49", 84 x 124 cm)  
 Drape Tape Strips (4 1/2" x 27", 11 x 69 cm)  
 Mayo Stand Cover (24" x 53", 61 x 135 cm)  
 Mayo Stand Cover, X-Large (30" x 57", 76 x 145 cm)  
 Prepping Pad, Non-Sterile (24" x 41", 61 x 104 cm)  
 Prepping Pad, U, Non-Sterile (30" x 43", 76 x 109 cm)  
 Gown Sleeve (23" Long, 58 cm)  
 Utility Drapes with Tape (15" x 26", 38 x 66 cm), 2 pk  
 Utility Drapes with Tape (15" x 26", 38 x 66 cm), 4 pk  
 Utility Drapes with Tape, X-Large (20" x 30", 51 x 76 cm)  
 Impervious Stockinette (6" x 30", 15 x 76 cm)  
 Impervious Stockinette (9" x 36", 23 x 91 cm)  
 Impervious Stockinette (12" x 48", 30 x 122 cm)  
 Impervious Stockinette (14" x 48", 36 x 122 cm)  
 Absorbent Floor Mat (20" x 40", 51 x 102 cm), Non-Sterile  
 Velcro-Style Tabs

(for use in custom  
 tray quotation)

Packaging	Non-Sterile	Sterile
20/cs	14185	DYNJP2410
20/cs	08902	DYNJP2411
20/cs	09440	DYNJP2412
20/cs	20868	DYNJP2413
20/cs	14184	DYNJP2414
20/cs	15648	DYNJP2415
20/cs	07164	DYNJP2416
20/cs	SPT-DRAPLGS	DYNJP2417
20/cs	SPT-2491	DYNJP2418
12/cs	SPT-DRAPXLS	DYNJP2419
40/cs	— —	DYNJP2497
22/cs	05528/61026	DYNJP2309
22/cs	05897/61025	DYNJP2311
22/cs	SPT-2312/31357	DYNJP2312
12/cs	31358	DYNJP2313
12/cs	31359/SPT-2314	DYNJP2314
24/cs	05166/61024	DYNJP2316
12/cs	SPT-2317	DYNJP2317
12/cs	31361/SPT-2318	DYNJP2318
12/cs	31362/SPT-2319	DYNJP2319
22/cs	31405/SPT-2320	DYNJP2320
12/cs	SPT-2322	DYNJP2322
— —	31406/SPT-2321	*
— —	SPT-2323	*
200/cs	05579	DYNJP2210
100 pr/cs	05579	DYNJP2220
20 pr/cs	12147	DYNJP2460
20 pr/cs	27478	DYNJP2461
20 pr/cs	SPT-2462	DYNJP2462
2/pk, 50 pk/cs	29673	DYNJP2494
30/cs	11348	DYNJP2500
22/cs	SPT-2505	DYNJP2510
100/cs	05136	DYNJP2215
100/cs	SPT-2217	DYNJP2217
60/cs	— —	DYNJP2000
100 pr/cs	12496	DYNJP2405
4/pk, 50 pk/cs	12496	DYNJP2406
4/pk, 50 pk/cs	29522	DYNJP2408
24/cs	06712	NON22520
15/cs	19300	NON22530
10/cs	19298	NON22535
10/cs	31374	NON22540
25/cs	— —	DYNJP2230
2/pk, 50/cs	— —	DYNJP2216

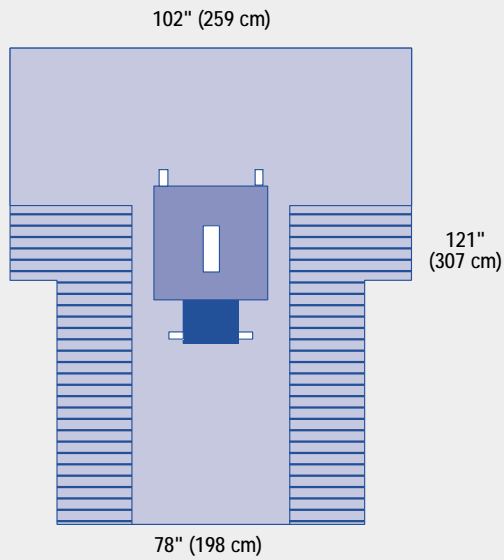




**Proxima**

# LAPAROTOMY/GENERAL SURGERY

	Page Number	Case Pack	Cardinal Convertors	Molnlycke Barrier	Kimberly Clark	Maxxim Boundary
<b>Laparotomy Packs</b>						
DYNJP3000 Laparotomy Pack I	53	10	29138/9135	1240	88231	LA016A/LA022
DYNJP3010 Laparotomy Pack II	53	5	29120/29136	---	---	---
DYNJP3020 Laparotomy Pack III	54	6	29127	---	---	---
DYNJP3030 Laparotomy Pack IV	54	4	9139	0243	88248	LA036A
DYNJP3040 Laparotomy Pack V	55	6	29140	---	88241	LA048/LA047A
DYNJP3050 Laparotomy Pack VI	55	4	29130	0244	88258	LA057/LA058
DYNJP3060 Laparotomy Pack VII	56	4	---	1245	88261	---
DYNJP3070 Transverse Laparotomy Pack	56	4	29121	1242	88291	LA098
DYNJP3080 Pediatric Laparotomy Pack	57	8	29490	---	---	LA014
DYNJP3090 Laparotomy Pack with Cool Zone Gowns	57	6	---	---	---	LA047A
DYNJP3095 Laparotomy Pack with Pouches	58	8	---	---	---	LA067
<b>Laparoscopic Cholecystectomy Packs</b>						
DYNJP3100 Laparoscopic Abdominal Pack	64	6	9120	0248	88593	LC055
DYNJP3110 Major Abdominal Pack	64	6	---	---	---	---
<b>Laparotomy Drapes</b>						
DYNJP3002 Proxima Laparotomy T-Drape with Incise and Instrument Pad	59	14	29510	1246	89282	LI088
DYNJP3003 Proxima Laparotomy T-Drape with Instrument Pad	59	12	29410	1293	89221/89228	CL022
DYNJP3004 Adolescent Laparotomy Drape	61	10	9418	---	---	AL016
DYNJP3005 Proxima Transverse Laparotomy T-Drape	60	12	29421	1282	89281	TF018A
DYNJP3007 Proxima Pediatric Laparotomy Drape	62	10	29492	1294	89241/66886	PL016/PL015
DYNJP3008 Proxima Laparotomy Drape with Pouches	61	12	9430	0297	89235 /89234	CL031
DYNJP3009 Proxima Pediatric Laparotomy T-Drape	62	10	29493	1204	66887	PL026
DYNJP3011 Proxima Pfannenstiel Laparotomy Drape	60	12	29425	---	---	---
DYNJP3104 Proxima Neonatal Drape	63	15	9133	1202	---	---
DYNJP3107 Proxima Pediatric Incise Drape	63	20	---	1299	---	---
<b>Laparoscopic Abdominal Drapes</b>						
DYNJP3101 Proxima Laparoscopic Abdominal Drape	65	12	---	0249	89229	LC051
DYNJP3102 Proxima Laparoscopic Cholecystectomy Drape with Troughs	65	8	9458/9428	---	89225/89223	---
DYNJP3103 Proxima Major Abdominal Drape with Pouches	66	8	---	0695	---	LC031
DYNJP3105 Proxima Bariatric Drape with Pouches	66	8	---	---	---	---
<b>Chest/Breast Drapes</b>						
DYNJP2491 Proxima Chest/Breast Drape	67	12	29420	1215	89227	BC016
<b>Minor Procedure Drapes</b>						
DYNJP2492 Proxima Minor Procedure Drape with 6" x 6" Fenestration	67	10	29496	1204	89226	BC026
DYNJP2493 Proxima Adherent Window Drape	68	32	9777	1272	---	---
DYNJP6003 Proxima Circumcision Drape	68	40	---	---	---	---
DYNJP2420 Proxima Fenestrated Drape Sheet	69	20	9462	---	89207	---



**Laparotomy Drape included in packs  
DYNJP3000, DYNJP3010**

- Absorbent reinforcement, 29" x 29" (74 x 74 cm)
- 4" x 12" fenestration with adhesive (10 x 30 cm)
- Instrument pad
- Contoured armboard covers
- Velcro-style line holders
- Drape also available separately as DYNJP3003, sterile

**Laparotomy Pack I**

**DYNJP3000**

- 2 Hand towels
- 1 Mayo stand cover, 24" x 53" (61 x 135 cm)
- 4 Utility drapes with adhesive, 15" x 26" (38 x 66 cm)
- 1 Suture bag
- 1 Laparotomy drape
- 1 Table cover, reinforced poly, 50" x 90" (127 x 229 cm)

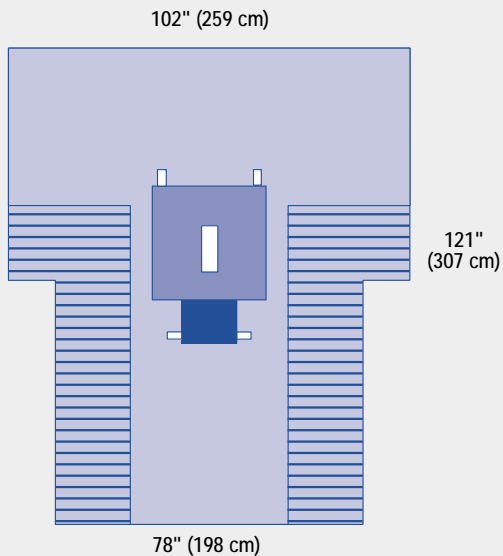
*Packaging: 10/cs*

**Laparotomy Pack II**

**DYNJP3010**

- 2 Hand towels
- 1 Mayo stand cover, 24 x 53" (61 x 135 cm)
- 2 ½ drapes 40" x 58" (102 x 147 cm)
- 4 Utility drapes with adhesive, 15" x 26" (38 x 66 cm)
- 1 Suture bag
- 1 Laparotomy drape
- 1 Table cover, reinforced poly, 50" x 90" (127 x 229 cm)

*Packaging: 5/cs*



**Laparotomy Drape included in packs  
DYNJP3020, DYNJP3030**

- Absorbent reinforcement, 29" x 29" (74 x 74 cm)
- 4" x 12" fenestration with adhesive (10 x 30 cm)
- Instrument pad
- Contoured armboard covers
- Velcro-style line holders
- Drape also available separately as DYNJP3003, sterile

**Laparotomy Pack III**

**DYNJP3020**

- 4 Hand towels
- 2 Gowns, large, fabric reinforced
- 1 Mayo stand cover, 24" x 53" (61 x 135 cm)
- 2 ½ drapes, 40" x 58" (102 x 147 cm)
- 4 Utility drapes with adhesive, 15" x 26" (38 x 66 cm)
- 1 Suture bag
- 1 Laparotomy drape
- 1 Table cover, reinforced poly, 50" x 90" (127 x 229 cm)

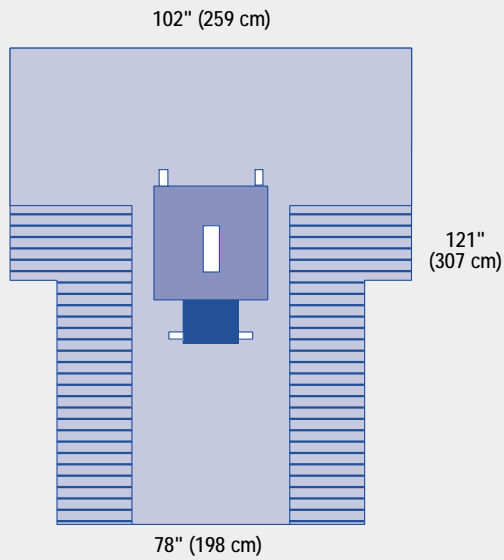
*Packaging: 6/cs*

**Laparotomy Pack IV**

**DYNJP3030**

- 1 Gown, large, non-reinforced with towel in outer wrap
- 1 Hand towel
- 1 Gown, large, non-reinforced
- 1 Mayo stand cover, 24" x 53" (61 x 135 cm)
- 4 Utility drapes with adhesive, 15" x 26" (38 x 66 cm)
- 1 Suture bag
- 1 Laparotomy drape
- 1 Table cover, reinforced poly, 50" x 90" (127 x 229 cm)

*Packaging: 4/cs*



**Laparotomy Drape included in packs  
DYNJP3040, DYNJP3050**

- Absorbent reinforcement, 29" x 29" (74 x 74 cm)
- 4" x 12" fenestration with adhesive (10 x 30 cm)
- Instrument pad
- Contoured armboard covers
- Velcro-style line holders
- Drape also available separately as DYNJP3003, sterile

**Laparotomy Pack V**

**DYNJP3040**

- 4 Hand towels
- 2 Gowns, large, fabric reinforced
- 1 Mayo stand cover, 24" x 53" (61 x 135 cm)
- 4 Utility drapes with adhesive, 15" x 26" (38 x 66 cm)
- 1 Suture bag
- 1 Laparotomy drape
- 1 Table cover, reinforced poly, 50" x 90" (127 x 229 cm)

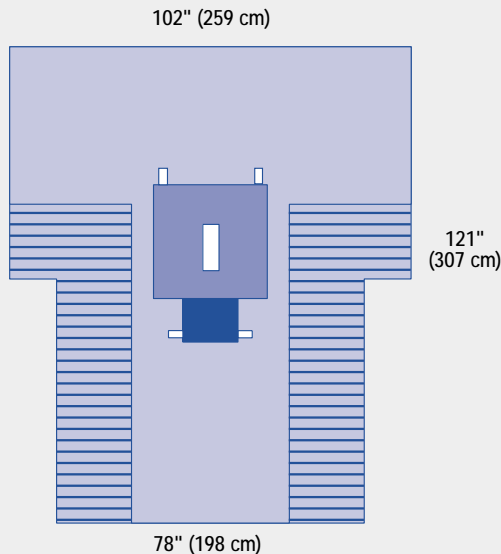
*Packaging: 6/cs*

**Laparotomy Pack VI**

**DYNJP3050**

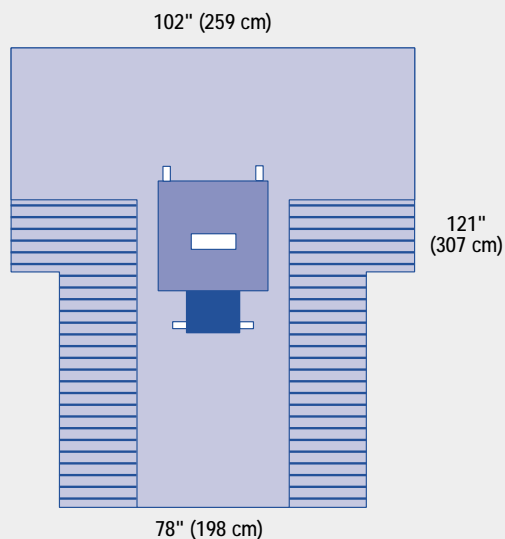
- 1 Gown, large, poly reinforced with towel in outer wrap
- 1 Hand towel
- 1 Gown, large, poly reinforced
- 1 Mayo stand cover, 24" x 53" (61 x 135 cm)
- 4 Utility drapes with adhesive, 15" x 26" (38 x 66 cm)
- 1 Suture bag
- 1 Laparotomy drape
- 1 Table cover, reinforced poly, 50" x 90" (127 x 229 cm)

*Packaging: 4/cs*



#### Laparotomy Drape included in pack DYNJP3060

- Absorbent reinforcement, 29" x 29" (74 x 74 cm)
- 4" x 12" (10 x 30 cm) fenestration with adhesive
- Instrument pad
- Contoured armboard covers
- Velcro-style line holders
- Drape also available separately as DYNJP3003, sterile



#### Transverse Laparotomy Drape included in pack DYNJP3070

- Absorbent reinforcement, 29" x 29" (74 x 74 cm)
- 4" x 12" (10 x 30 cm) fenestration with adhesive
- Contoured armboard covers
- Velcro-style line holders
- Instrument pad
- Drape also available separately as DYNJP3005, sterile

#### Laparotomy Pack VII

DYNJP3060

- 1 Gown, large, non-reinforced with towel in outer wrap
- 2 Hand towels
- 2 Gowns, large, poly reinforced
- 1 Mayo stand cover, 24" x 53" (61 x 135 cm)
- 4 Utility drapes with adhesive, 15" x 26" (38 x 66 cm)
- 1 Suture bag
- 1 Laparotomy drape
- 1 Table cover, reinforced poly, 50" x 90" (127 x 229 cm)

Packaging: 4/cs

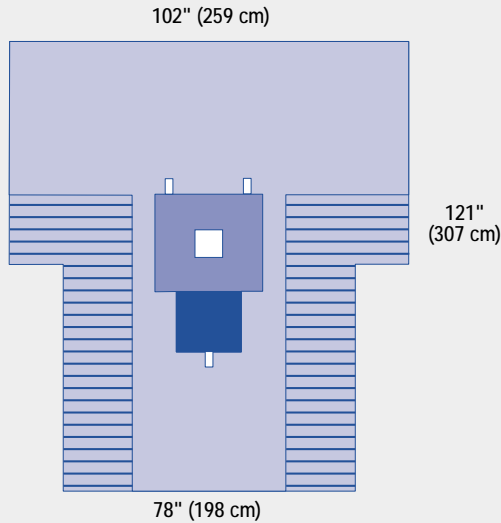
#### Transverse Laparotomy Pack

DYNJP3070

- 1 Gown, large, non-reinforced with towel in outer wrap
- 1 Hand towel
- 1 Gown, large, non-reinforced
- 1 Mayo stand cover, 24" x 53" (61 x 135 cm)
- 4 Utility drapes with adhesive, 15" x 26" (38 x 66 cm)
- 1 Suture bag
- 1 Transverse laparotomy drape, 102" x 121", with absorbent reinforcement
- 1 Table cover, reinforced poly, 50" x 90" (127 x 229 cm)

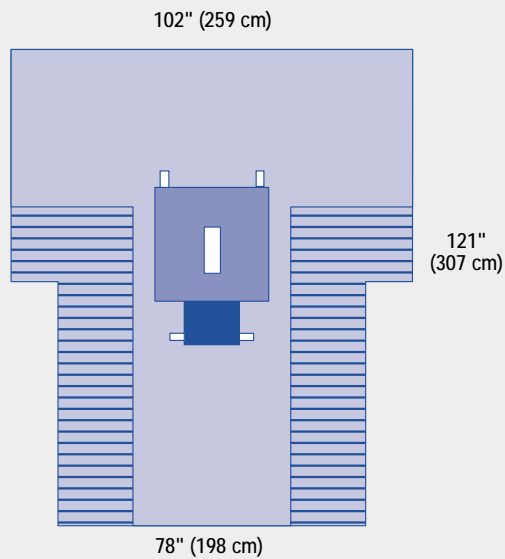
Packaging: 4/cs





#### Pediatric Laparotomy Drape included in pack DYNJP3080

- Absorbent reinforcement, 20" x 18" (51 x 46 cm)
- 6" x 6" (15 x 15 cm) fenestration, with adhesive
- Contoured armboard covers
- Instrument pad
- Velcro-style line holders
- Drape also sold separately as DYNJP3009, sterile



#### Laparotomy Drape included in pack DYNJP3090

- Absorbent reinforcement, 29" x 29" (74 x 74 cm)
- 4" x 12" (10 x 30 cm) fenestration with adhesive
- Instrument pad
- Contoured armboard covers
- Velcro-style line holders
- Drape also available separately as DYNJP3003, sterile

#### Pediatric Laparotomy Pack

DYNJP3080

- 2 Hand towels
- 2 Gowns, X-Large, non-reinforced
- 1 Mayo stand cover, 24" x 53" (61 x 135 cm)
- 4 Utility drapes, with adhesive, 15" x 26" (38 x 66 cm)
- 1 Suture bag
- 1 Pediatric laparotomy drape
- 1 Table cover, reinforced poly, 50" x 90" (127 x 229 cm)

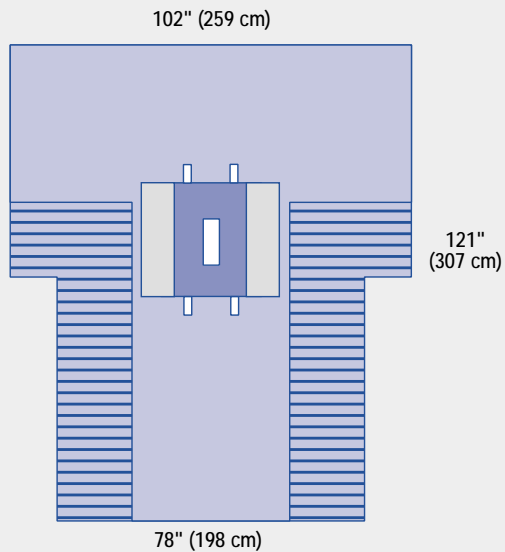
Packaging: 8/cs

#### Laparotomy Pack with Cool-Zone Gowns

DYNJP3090

- 2 Hand towels
- 2 Gowns, Cool Zone, fabric reinforced, large
- 1 Mayo stand cover, 24" x 53" (61 x 135 cm)
- 4 Utility drapes with adhesive, 15" x 26" (38 x 66 cm)
- 1 Suture bag
- 1 Laparotomy drape
- 1 Table cover, poly reinforced, 50" x 90" (127 x 229 cm)

Packaging: 6/cs



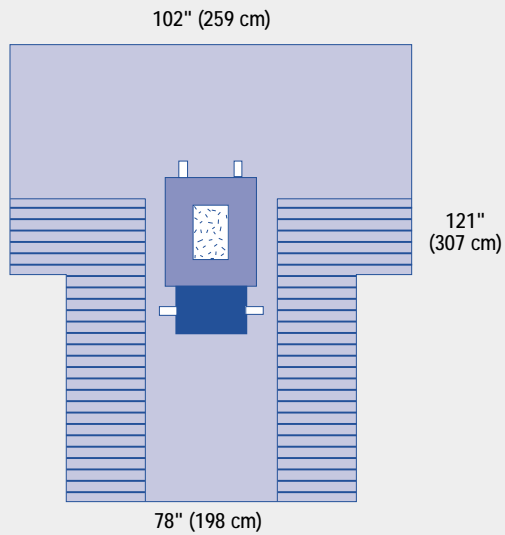
**Laparotomy Drape with Pouches included in pack DYNJP3095**

- 4" x 12" (10 x 30 cm) fenestration with adhesive
- Contoured armboard covers
- Clear plastic fluid collection pouches with velcro-style closures
- Velcro-style line holders
- Drape also available separately as DYNJP3008, sterile

**Laparotomy Pack with Pouches DYNJP3095**

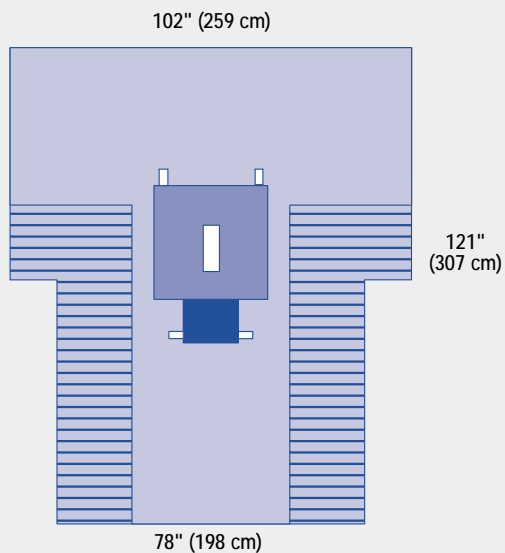
- 1 Mayo stand cover, 24" x 53" (61 x 135 cm)
- 4 Utility drapes, with adhesive, 15" x 26" (38 x 66 cm)
- 1 Suture bag
- 1 Laparotomy drape with pouches
- 1 Table cover, reinforced poly, 50" x 90" (127 x 229 cm)

*Packaging: 8/cs*



### Laparotomy T-Drape with Incise

- Reinforcement, 28" x 23" (71 x 58 cm)
- Fenestration with incise 9" x 14" (23 x 36 cm)
- Contoured armboard covers
- Instrument pad
- Velcro-style line holders



### Laparotomy T-Drape with Instrument Pad

- Absorbent reinforcement, 29" x 29" (74 x 74 cm)
- 4" x 12" fenestration with adhesive (10 x 30 cm)
- Instrument pad
- Contoured armboard covers
- Velcro-style line holders

### Proxima Laparotomy T-Drape with Incise and Instrument Pad

DYNJP3002

*Packaging: 14/cs*

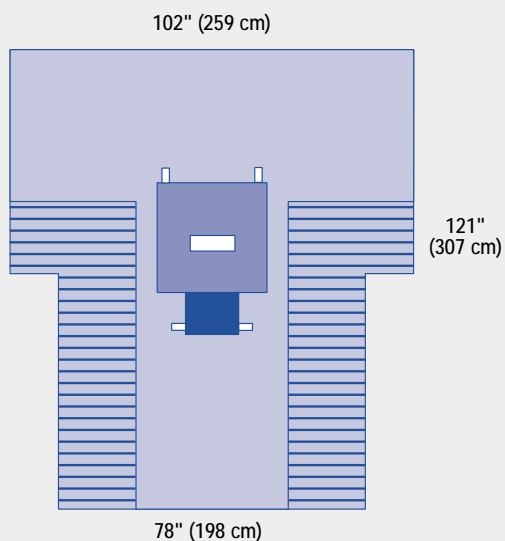
Non-Sterile Item Number: SPT-2535S

### Proxima Laparotomy T-Drape with Instrument Pad

DYNJP3003

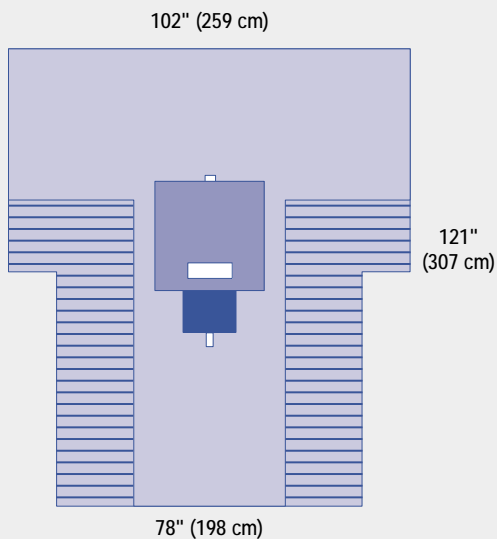
*Packaging: 12/cs*

Non-Sterile Item Number: SPT-3110S



### Transverse Laparotomy T-Drape

- Absorbent reinforcement, 29" x 29" (74 x 74 cm)
- 14" x 4" (36 x 10 cm) fenestration with adhesive
- Instrument pad
- Contoured armboard covers
- Velcro-style line holders



### Pfannenstiel Laparotomy Drape

- Absorbent reinforcement, 29" x 29" (74 x 74 cm)
- 14" x 4" (36 x 10 cm) fenestration with adhesive
- Instrument pad
- Contoured armboard covers
- Velcro-style line holders

### Proxima Transverse Laparotomy T-Drape

DYNJP3005

Packaging: 12/cs

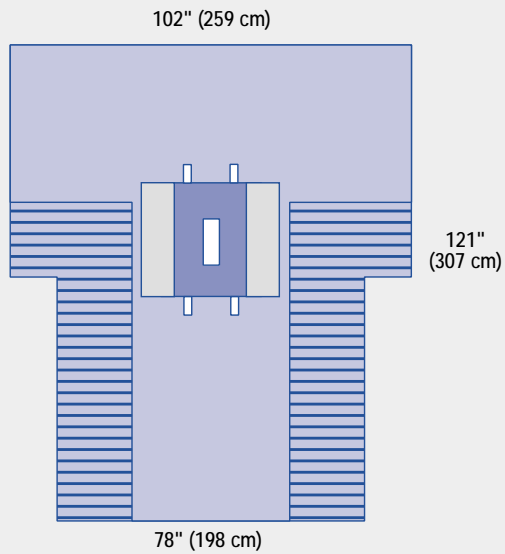
Non-Sterile Item Number: SPT-3140S

### Proxima Pfannenstiel Laparotomy Drape

DYNJP3011

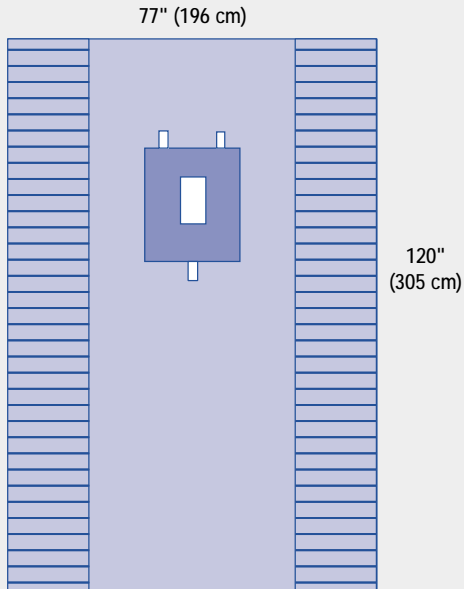
Packaging: 12/cs

Non-Sterile Item Number: SPT-3170S



### Laparotomy Drape with Pouches

- 4" x 12" (10 x 30 cm) fenestration with adhesive
- Contoured armboard covers
- Clear plastic fluid collection pouches with velcro-style closures
- Velcro-style line holders



### Adolescent Laparotomy Drape

- Absorbent reinforcement, 20" x 25" (51 x 64 cm)
- Fenestration with adhesive, 3" x 6" (8 x 15 cm)
- Velcro-style line holders

### Proxima Laparotomy Drape with Pouches

DYNJP3008

Packaging: 12/cs

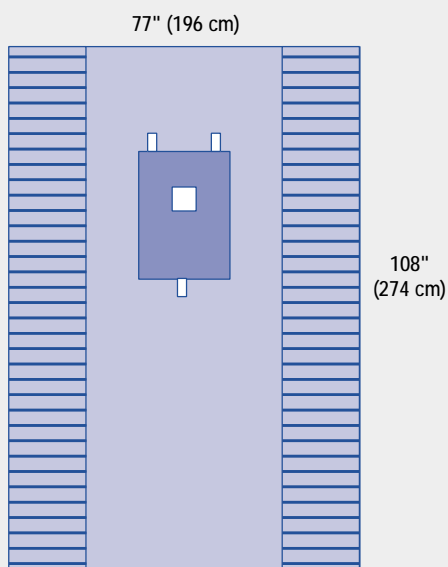
Non-Sterile Item Number: SPT-3130S

### Adolescent Laparotomy Drape

DYNJP3004

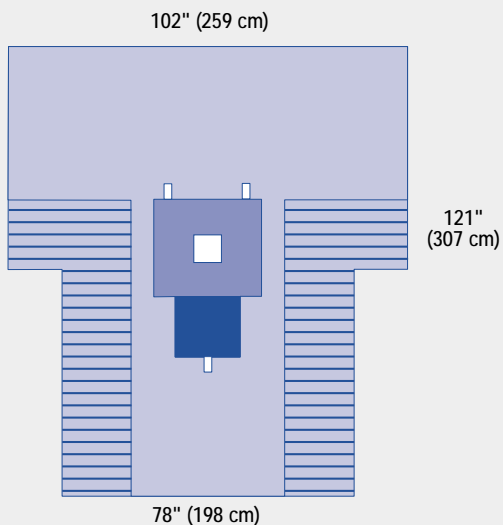
Packaging: 10/cs

Non-Sterile Item Number: SPT-3004S



### Pediatric Laparotomy Drape

- Absorbent reinforcement, 29" x 20" (74 x 51 cm)
- 6" x 6" (15 x 15 cm) fenestration with adhesive
- Velcro-style line holders



### Pediatric Laparotomy T-Drape

- Absorbent reinforcement, 20" x 18" (51 x 46 cm)
- 6" x 6" (15 x 15 cm) fenestration with adhesive
- Contoured armboard covers
- Instrument pad
- Velcro-style line holders

### Proxima Pediatric Laparotomy Drape

DYNJP3007

Packaging: 10/cs

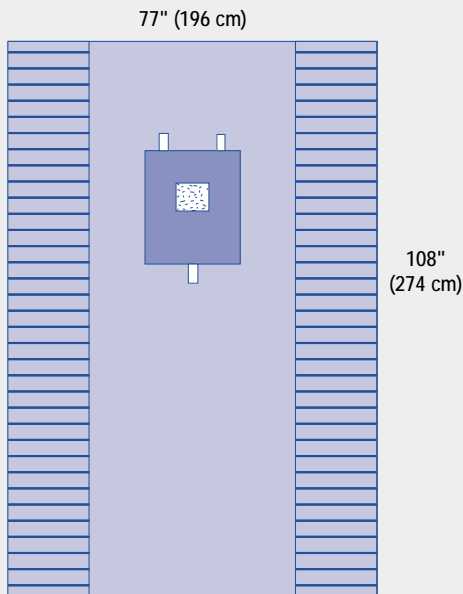
Non-Sterile Item Number: SPT-3160S

### Proxima Pediatric Laparotomy T-Drape

DYNJP3009

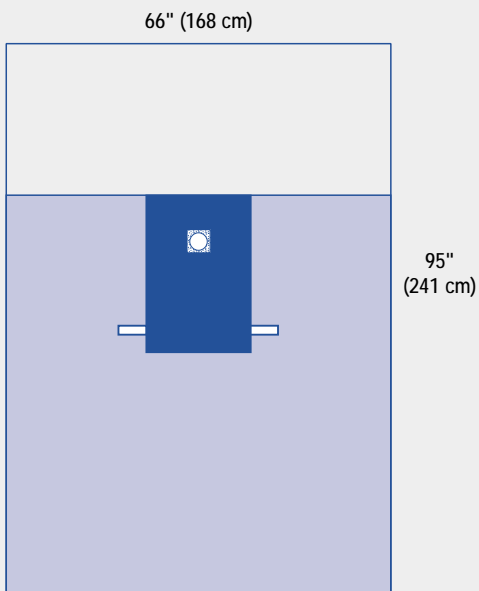
Packaging: 10/cs

Non-Sterile Item Number: SPT-2545S



#### Pediatric Incise Drape

- Absorbent reinforcement, 20" x 29" (51 x 74 cm)
- Fenestration with incise, 6" x 7" (15 x 18 cm)
- Velcro-style line holders



#### Neonatal Drape

- Absorbent reinforcement, 18" x 27" (46 x 69 cm)
- 3" (8cm) circular elastic fenestration
- Clear anesthesia screen with tape strips
- Velcro-style line holders

#### Proxima Pediatric Incise Drape

DYNJP3107

Packaging: 20/cs

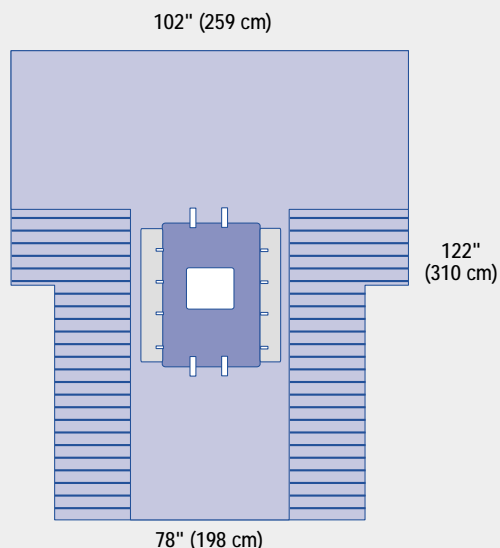
Non-Sterile Item Number: SPT-3167S

#### Proxima Neonatal Drape

DYNJP3104

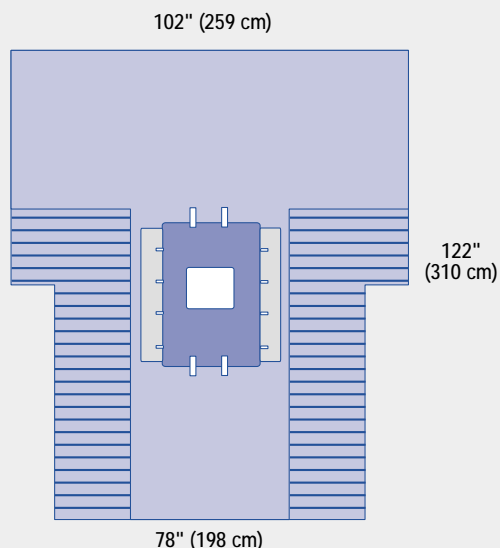
Packaging: 15/cs

Non-Sterile Item Number: SPT-3165S



#### Laparoscopic Cholecystectomy Drape included in pack DYNJP3100

- Absorbent reinforcement, 16" x 38" (41 x 97 cm)
- 10" x 11" (25 x 28 cm) fenestration with adhesive
- (2) 11" x 30" clear poly troughs with velcro-style closures (28 x 76 cm)
- 4 velcro-style line holders
- Contoured armboard covers
- Drape also sold separately as DYNJP3102, sterile



#### Major Abdominal Drape included in pack DYNJP3110

- Absorbent reinforcement, 16" x 38" (41 x 97 cm)
- 10" x 11" (25 x 28 cm) fenestration with adhesive
- (2) 11" x 30" (28 x 76 cm) fluid collection pouches with velcro-style closures
- 4 velcro-style line holders
- Contoured armboard covers
- Drape also sold separately as DYNJP3103, sterile

#### Laparoscopic Abdominal Pack

DYNJP3100

- 1 Gown, large, non-reinforced with towel in outer wrap
- 2 Hand towels
- 2 Gowns, large, non-reinforced
- 1 Mayo stand cover, 24" x 53" (61 x 135 cm)
- 4 Utility drapes with adhesive, 15" x 26" (38 x 66 cm)
- 1 Suture bag
- 1 Laparoscopic Cholecystectomy Drape
- 1 Table cover, reinforced poly, 50" x 90" (127 x 229 cm)

Packaging: 6/cs

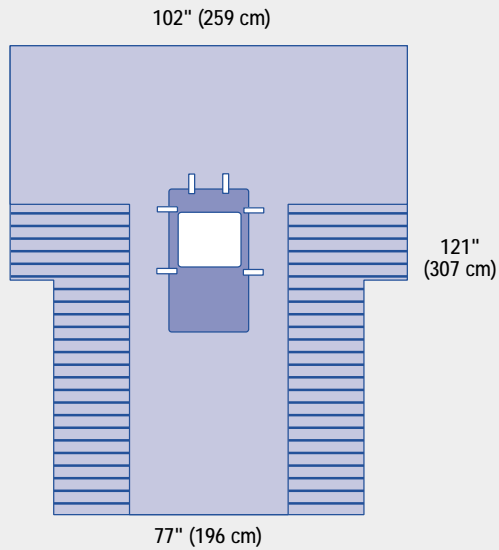
#### Major Abdominal Pack

DYNJP3110

- 2 Hand towels
- 1 Mayo stand cover, 24" x 53" (61 x 135 cm)
- 4 Utility drapes with adhesive, 15" x 26" (38 x 66 cm)
- 1 Suture bag
- 1 Major Abdominal Drape
- 1 Table cover, reinforced poly, 50" x 90" (127 x 229 cm)

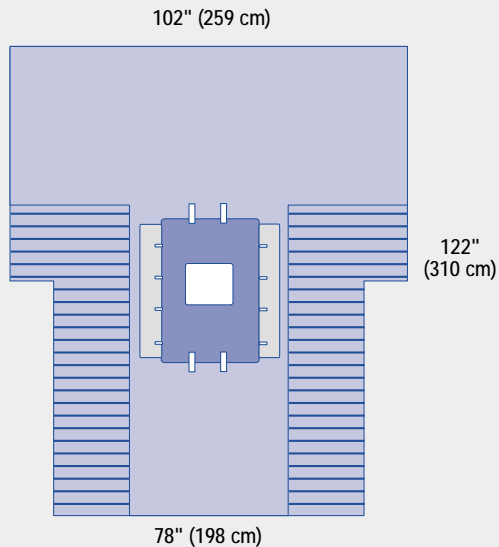
Packaging: 6/cs





#### Laparoscopic Abdominal Drape

- Absorbent reinforcement, 20" x 36" (51 x 91 cm)
- 12" x 13" (30 x 33 cm) fenestration with adhesive
- Contoured armboard covers
- Velcro-style line holders



#### Laparoscopic Cholecystectomy Drape

- Absorbent reinforcement, 16" x 38" (41 x 97 cm)
- 10" x 11" (25 x 28 cm) fenestration with adhesive
- (2) 11" x 30" (28 x 76 cm) clear poly troughs with velcro-style closures
- 4 velcro-style line holders
- Contoured armboard covers

#### Proxima Laparoscopic Abdominal Drape

DYNJP3101

Packaging: 12/cs

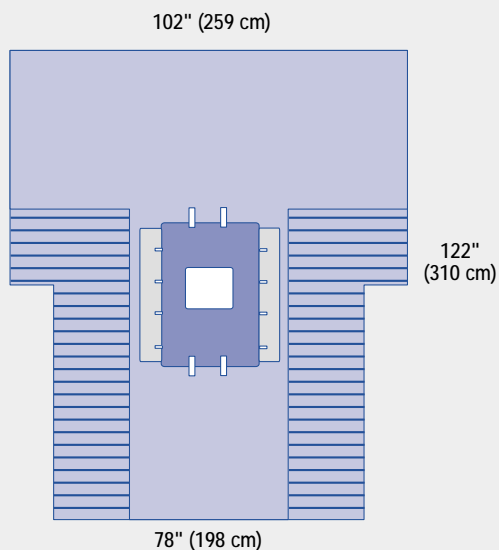
Non-Sterile Item Number: SPT-3815S

#### Proxima Laparoscopic Cholecystectomy Drape with Troughs

DYNJP3102

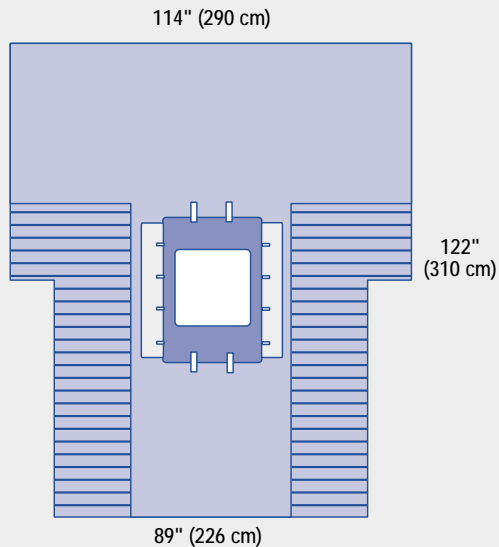
Packaging: 8/cs

Non-Sterile Item Number: SPT-3820S



### Major Abdominal Drape

- Absorbent reinforcement, 16" x 38" (41 x 97 cm)
- 10" x 11" (25 x 28 cm) fenestration with adhesive
- (2) 11" x 30" (28 x 76 cm) fluid collection pouches with velcro-style closures
- 4 velcro-style line holders
- Contoured armboard covers



### Bariatric Drape

- Absorbent reinforcement, 40" x 40" (102 x 102 cm)
- 18" x 18" (46 x 46 cm) fenestration with adhesive
- Two fluid collection pouches with velcro-style closures
- Contoured armboard covers
- 4 velcro-style line holders

## Proxima Major Abdominal Drape with Pouches DYNJP3103

Packaging: 8/cs

Non-Sterile Item Number: SPT-3830S

## Proxima Bariatric Drape with Pouches DYNJP3105

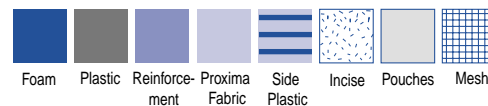
Packaging: 8/cs

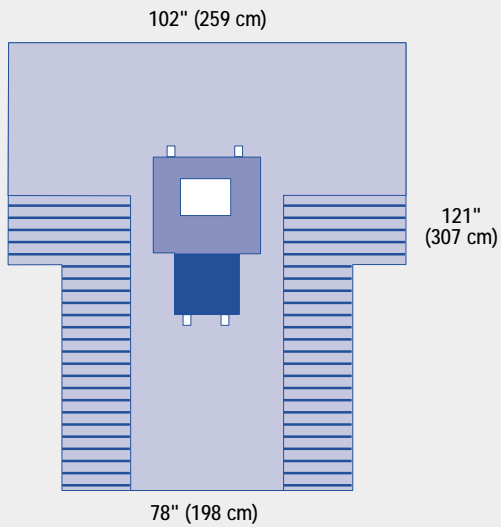
Non-Sterile Item Number: SPT-3840S



Proxima Protection Products from Medline

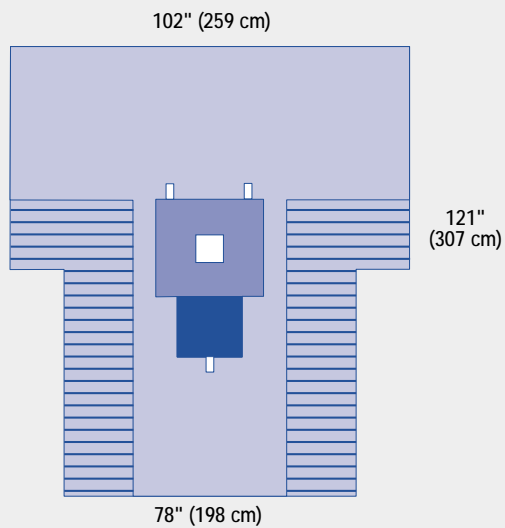
All products are sterile and latex free unless otherwise indicated.





### Chest/Breast Drape

- Absorbent reinforcement, 28" x 28" (71 x 71 cm)
- 15" x 10" (38 x 25 cm) fenestration with adhesive
- Contoured armboard covers
- Instrument pad
- Velcro-style line holders



### Minor Procedure Drape

- Absorbent reinforcement, 20" x 18" (51 x 46 cm)
- 6" x 6" (15 x 15 cm) fenestration with adhesive
- Contoured armboard covers
- Instrument pad
- Velcro-style line holders

### Proxima Chest/Breast Drape 15" x 10" Fenestration

DYNJP2491

*Packaging: 12/cs*

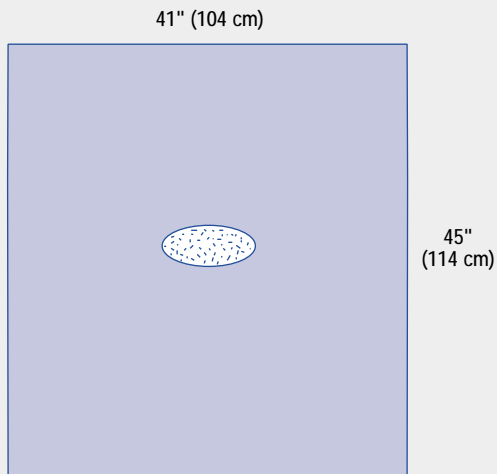
Non-Sterile Item Number: SPT-2540S

### Proxima Minor Procedure Drape 6" x 6" Fenestration

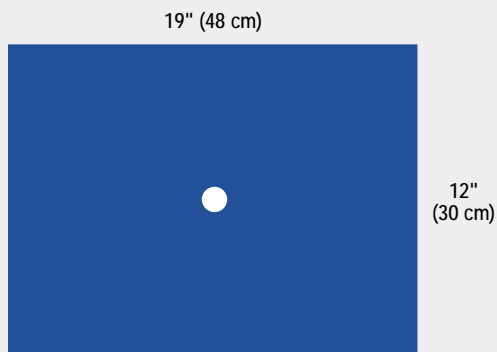
DYNJP2492

*Packaging: 10/cs*

Non-Sterile Item Number: SPT-2545S

**Adherent Window Drape**

- Oval incise, 3½" x 7" (9 x 18 cm)

**Circumcision Drape**

- Foam
- 5/8" (1.6cm) circular fenestration

**Proxima Adherent Window Drape DYNJP2493**

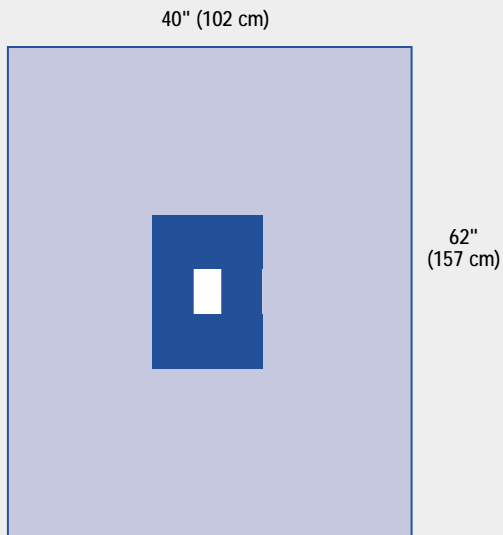
*Packaging: 34/cs*

Non-Sterile Item Number: SPT-3190S

**Proxima Circumcision Drape DYNJP6003**

*Packaging: 40/cs*

Non-Sterile Item Number: 10301

**Fenestrated Drape Sheet**

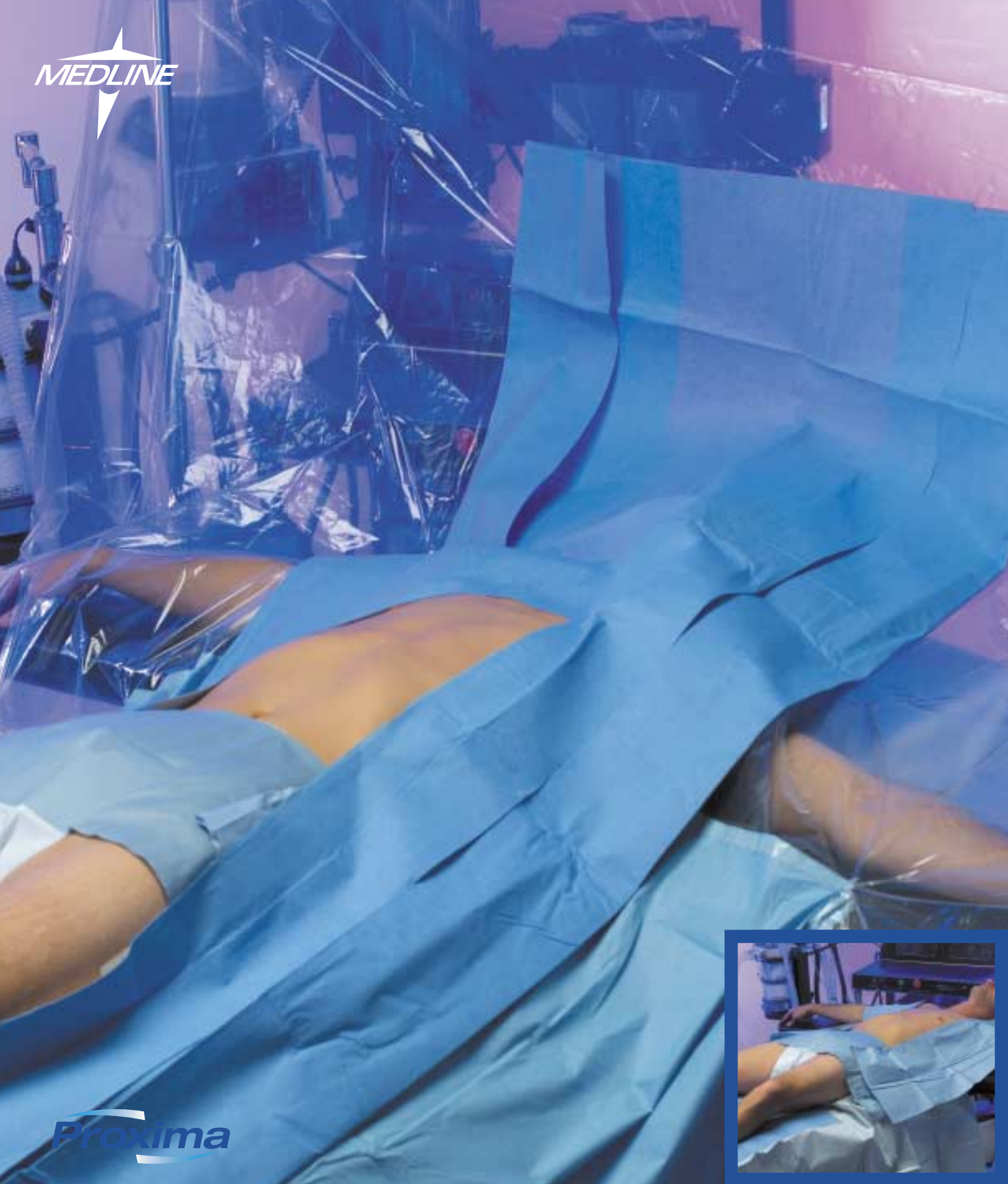
- Absorbent reinforcement, 12" x 13" (30 x 33 cm)
- Fenestration, 4" x 6" (10 x 15 cm)

**Proxima Fenestrated Drape Sheet DYNJP2420**

*Packaging: 20/cs*

Non-Sterile Item Number: SPT-2420S





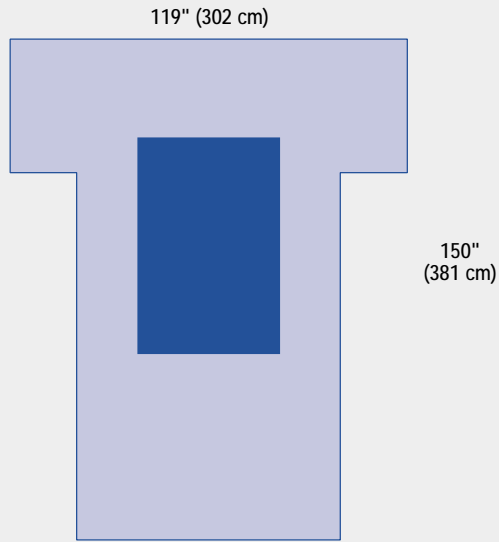
*Proxima*

# CARDIOVASCULAR

		Page Number	Case Pack	Cardinal Convertors	Molnlycke Barrier	Kimberly Clark	Maxxim Boundary
<b>Cardiovascular Packs</b>							
DYNJP4000	Cardiovascular Pack I	73	4	9150	—	—	—
DYNJP4010	Cardiovascular Pack II	73	3	—	1269	88741	—
DYNJP4020	Cardiovascular Pack III	74	3	29158	0173/1273	88731	CV073
DYNJP4030	Universal C-V Pack	75	4	29153	—	—	—
DYNJP4040	Cardiovascular Pack IV	76	5	—	—	—	CV035
<b>Cardiovascular Drapes</b>							
DYNJP4001	Proxima C-V Drape	77	10	—	—	—	CV006
DYNJP4002	Proxima Top Drape	77	14	29352	0203	89381/89348	TD020
DYNJP4003	Proxima C-V Split Drape	78	8	29154	0376	89451/89452	CV016
DYNJP4004	Proxima Cardiovascular Incise Drape	79	8	9156	1278/1274	89465/89466	CV040
DYNJP4005	Proxima C-V Split Drape with Pouches	80	8	—	—	—	—
DYNJP4006	Proxima C-V Split Drape with Clear Anesthesia Screen	78	8	9158	0373	66350	CV074
DYNJP4007	Proxima Bilateral Split Drape	81	20	9154	0393	89453	SP074
DYNJP4008	Proxima C-V Split Drape with Clear Anesthesia Screen and Pouches	80	12	9155	—	—	—
DYNJP4009	Proxima Cardiovascular Incise Drape II	79	6	—	—	—	CV050
DYNJP4016	Proxima Cardiovascular Drape with Pouches	81	8	—	—	—	CV030NS
<b>Angiography Drapes</b>							
DYNJP4101	Proxima Femoral Angiography Drape	84	20	29457	1210	89461	—
DYNJP4102	Proxima Femoral Angiography Drape	84	18	29460	0210	89704/89705 89706/89464	—
DYNJP4104	Proxima Femoral Angiography Drape	85	20	—	0215/0211	—	—
DYNJP4105	Proxima Brachial Angiography Drape	87	18	—	—	—	—
DYNJP4106	Proxima Brachial Angiography Drape	87	40	29458	1212	89471	—
DYNJP4107	Proxima Pacemaker Drape	88	20	—	—	—	—
DYNJP4112	Proxima Femoral Angiography Drape	85	12	29459/29489	—	—	FA011
DYNJP4113	Proxima Femoral Angiography Drape	86	12	—	—	—	FA025
DYNJP4114	Proxima Femoral Angiography Drape with Pouches	86	10	—	—	—	FA5280



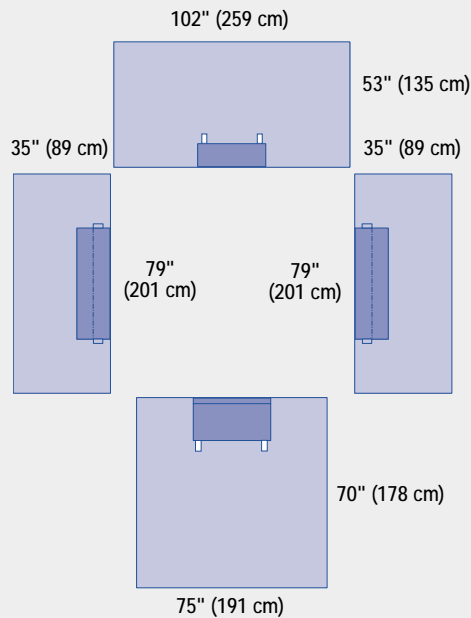




79" (201 cm)

**C-V Drape included in pack DYNJP4000**

- Foam reinforcement, 39" x 66" (99 x 168 cm)
- Contoured armboard covers
- Nonfenestrated
- Available separately as DYNJP4001, sterile



**Top, Side and Bottom Drapes included in pack DYNJP4010**

- Absorbent reinforcements
- Top Drape 29" x 10" (74 x 25 cm)
- Bottom Drape 29" x 16" (74 x 41 cm)
- Side Drape 8" x 40" (20 x 102 cm)
- Adhesive along reinforced edge
- Velcro-style line holders
- Side Drapes have 4" x 40" fabric troughs (10 x 102 cm)

**Cardiovascular Pack I**

**DYNJP4000**

- 3 Hand towels
- 3 Gowns, X-Large, poly reinforced
- 1 Mayo stand cover, 24" x 53" (61 x 135 cm)
- 1 ¼ drape, 53" x 77" (135 x 196 cm)
- 6 Utility drapes with adhesive, 15" x 26" (38 x 66 cm)
- 1 C-V drape, nonfenestrated
- 1 Table cover, reinforced poly, 50" x 90" (127 x 229 cm)

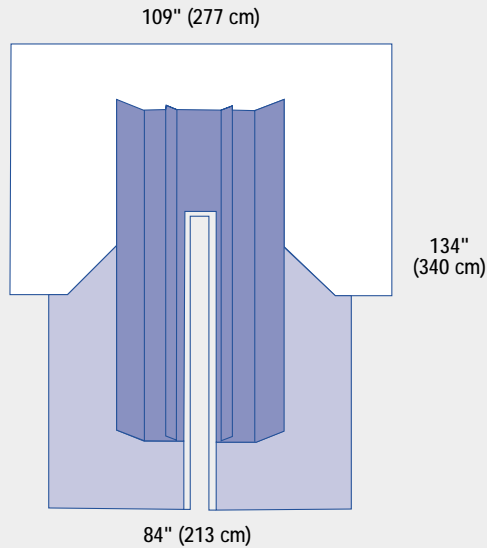
*Packaging: 4/cs*

**Cardiovascular Pack II**

**DYNJP4010**

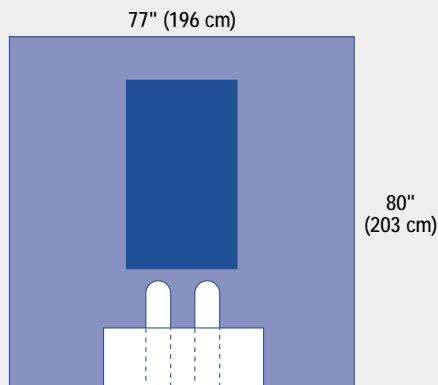
- 1 Gown, large, poly reinforced with towel in outer wrap
- 6 Hand towels
- 2 Gowns, X-Large, poly reinforced
- 1 Mayo stand cover, 24" x 53" (61 x 135 cm)
- 1 Top drape, with adhesive
- 2 Side drapes, with adhesive
- 1 Bottom drape, with adhesive
- 8 Utility drapes, with adhesive, 15" x 26" (38 x 66 cm)
- 1 Suture bag
- 1 Table cover, reinforced poly, 50" x 90" (127 x 229 cm)

*Packaging: 3/cs*



### C-V Split Drape with Clear Anesthesia Screen included in pack DYNJP4020

- Top absorbent reinforcement, 32" x 40" (81 x 102 cm)
- Split reinforcement, 84" x 25" (213 x 64 cm)
- Split with adhesive, 6" x 84" (15 x 213 cm)
- Clear anesthesia screen, 109" x 72" (277 x 183 cm)
- Contoured armboard covers
- Clipping tabs with velcro closures
- Available separately as DYNJP4006, sterile



### Bilateral Split Drape included in pack DYNJP4020

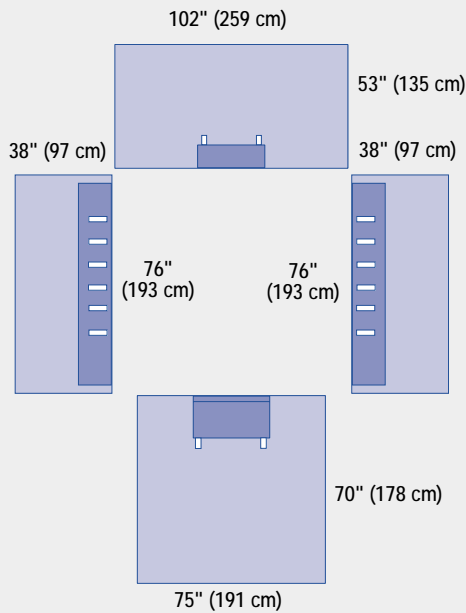
- Absorbent reinforcement, 24" x 47" (61 x 119 cm)
- Two 6" (15 cm) splits with tape
- Groin towel with adhesive
- Available separately as DYNJP4007, sterile

## Cardiovascular Pack III

DYNJP4020

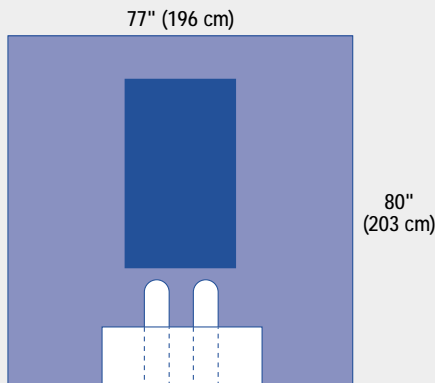
- 1 Gown, large, poly reinforced with towel in outer wrap
- 2 Hand towels
- 2 Gowns, large, poly reinforced
- 1 Mayo stand cover, 24" x 53" (61 x 135 cm)
- 1  $\frac{3}{4}$  drape, 53" x 77" (135 x 196 cm)
- 8 XL Utility drapes with tape, 20" x 30" (51 x 76 cm)
- 1 Suture bag
- 1 C-V split drape, with clear anesthesia screen
- 1 Bilateral split drape
- 1 Table cover, heavy duty, 79" x 110" (201 x 279 cm)

Packaging: 3/cs



**Top, Side and Bottom Drapes included in pack DYNJP4030**

- Absorbent reinforcement:
  - Top Drape 29" x 10" (74 x 25 cm)
  - Bottom Drape 29" x 16" (74 x 41 cm)
  - C-V Side Drape 13½" x 72" (34 x 183 cm)
- Adhesive along reinforced edge
- Velcro-style line holders



**Bilateral Split Drape included in pack DYNJP4030**

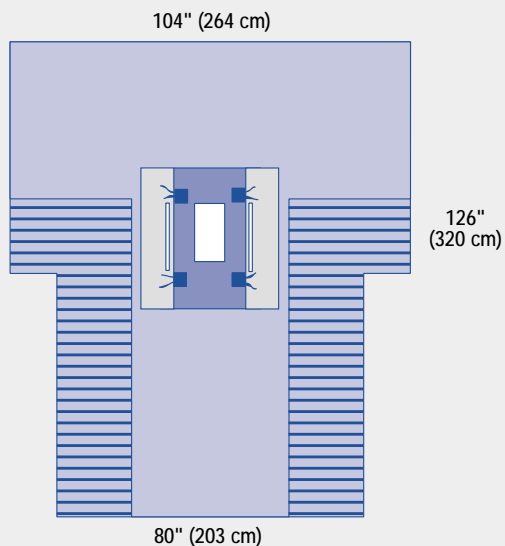
- Absorbent reinforcement, 24" x 47" (61 x 119 cm)
- Two 6" (15 cm) splits with tape
- Groin towel with adhesive
- Available separately as DYNJP4007, sterile

**Universal C-V Pack**

**DYNJP4030**

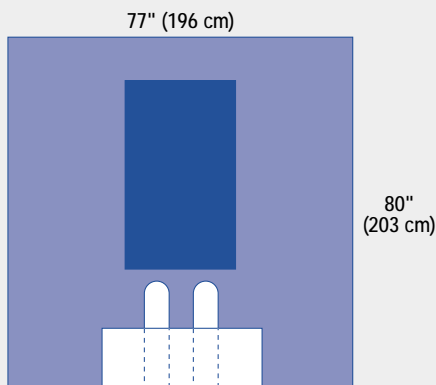
- 1 Gown, large, poly reinforced with breathable impervious sleeves with towel in outer wrap
- 2 Hand towels
- 2 Gowns, large, poly reinforced with breathable impervious sleeves
- 1 Mayo stand cover
- 1 Suture bag
- 4 Utility drapes with tape
- 1 Top drape with adhesive
- 1 Bottom drape with adhesive
- 2 C-V side drapes, with six velcro-style line holders
- 1 Bilateral Split Drape
- 1 Table cover, poly reinforced, 50" x 90" (127 x 229 cm)

*Packaging: 4/cs*



#### Cardiovascular Drape with Pouches included in pack DYNJP4040

- Absorbent reinforcement, 15" x 40" (38 x 102 cm)
- 7" x 14" (18 x 36 cm) fenestration with adhesive
- Clear poly fluid collection pouches with tubing ties
- Contoured armboard covers
- Available separately as DYNJP4016, sterile



#### Bilateral Split Drape included in pack DYNJP4040

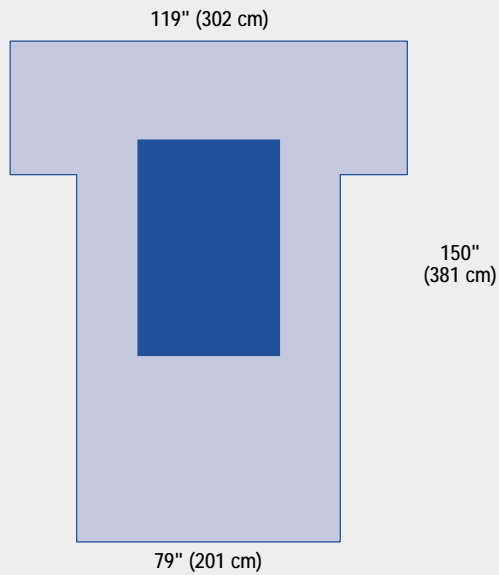
- Absorbent reinforcement, 24" x 47" (61 x 119 cm)
- Two 6" (15 cm) splits with tape
- Groin towel with adhesive
- Available separately as DYNJP4007, sterile

#### Cardiovascular Pack IV

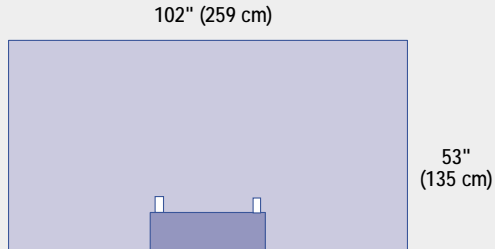
DYNJP4040

- 1 Table cover, heavy duty, 79" x 100" (201 x 254 cm)
- 2 Utility drapes 15" x 26" (38 x 66 cm)
- 4 XL Utility drapes, 20" x 30" (50 x 76 cm)
- 1 Refuse bag
- 1 O.R. Table cover, 60" x 76" (152 x 193 cm)
- 1 Bilateral split drape
- 1 Cardiovascular drape with pouches
- 1 Table cover, reinforced poly, 50" x 90" (127 x 229 cm)

Packaging: 5/cs

**C-V Drape**

- Foam reinforcement, 39" x 66" (99 x 168 cm)
- Contoured armboard covers
- Nonfenestrated

**Top Drape**

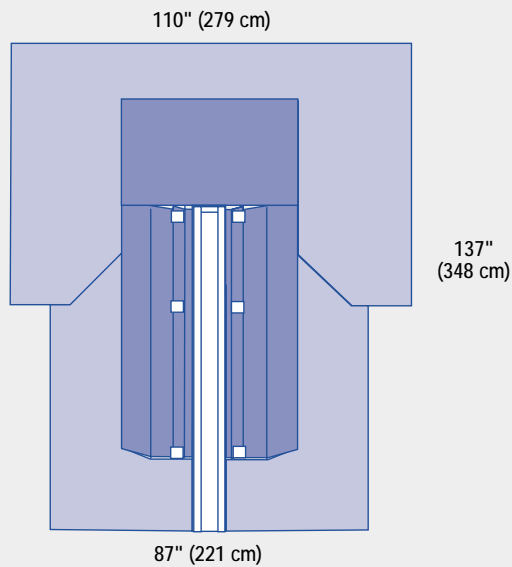
- Absorbent reinforcement, 29" x 10" (74 x 25 cm)
- Velcro-style line holders
- Adhesive along reinforced edge

**Proxima C-V Drape****DYNJP4001***Packaging: 10/cs*

Non-Sterile Item Number: SPT-4200S

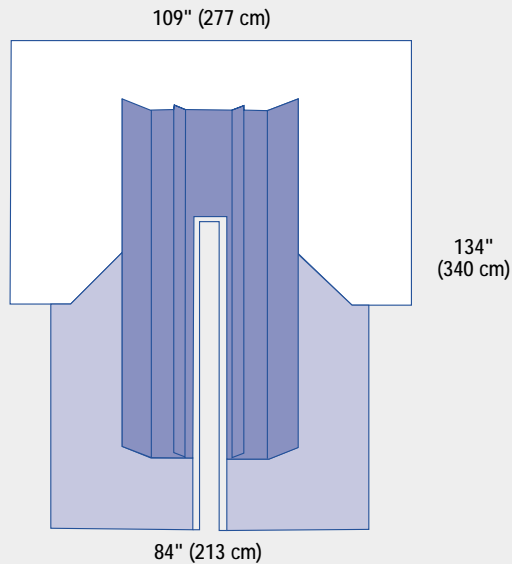
**Proxima Top Drape****DYNJP4002***Packaging: 14/cs*

Non-Sterile Item Number: SPT-4205S



### C-V Split Drape

- Top-absorbent reinforcement, 29" x 46" (74 x 117 cm)
- Split reinforcement, 70" x 20" (178 x 51 cm)
- Split with adhesive, 6½" x 90" (17 x 229 cm)
- Contoured armboard covers
- Clipping tabs with velcro closures



### C-V Split Drape with Clear Anesthesia Screen

- Top absorbent reinforcement, 32" x 40" (81 x 102 cm)
- Split reinforcement, 84" x 25" (213 x 64 cm)
- Split with adhesive, 6" x 84" (15 x 213 cm)
- Clear anesthesia screen, 109" x 72" (277 x 183 cm)
- Contoured armboard covers
- Clipping tabs with velcro closures

### Proxima C-V Split Drape

DYNJP4003

Packaging: 8/cs

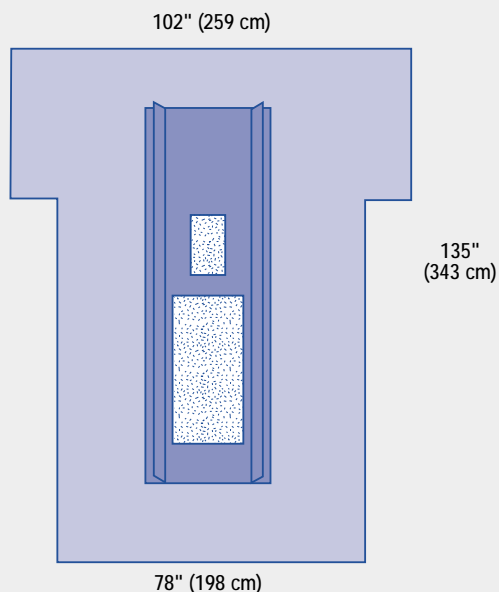
Non-Sterile Item Number: SPT-4202S

### Proxima C-V Split Drape with Clear Anesthesia Screen

DYNJP4006

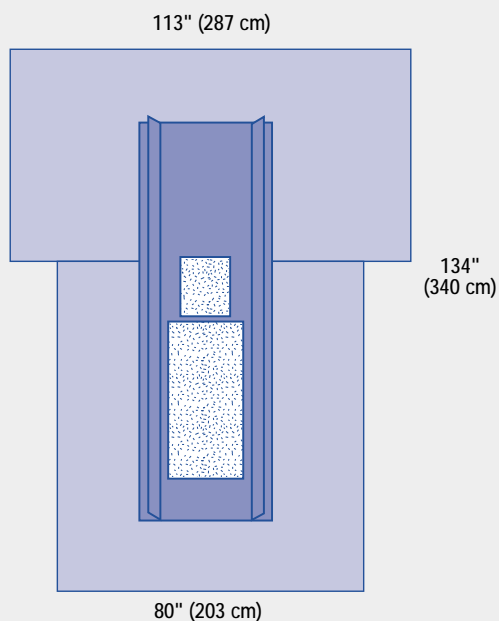
Packaging: 8/cs

Non-Sterile Item Number: SPT-4201S



### Cardiovascular Incise Drape

- Impervious reinforcement, 108" x 46" (274 x 117 cm) with separate troughs for chest and legs and velcro closures
- Armboard covers
- Chest and leg fenestrations with incise, 14" x 18" (36 x 46 cm) and 24" x 42" (61 x 107 cm) respectively



### C-V Incise Drape

- Absorbent reinforcement, 29" x 43" (74 x 109 cm)
- Chest and leg fenestrations with incise, 13" x 15" (33 x 38 cm) and 22" x 40" (56 x 102 cm) respectively
- Clipping tab system
- Contoured armboard covers

### Proxima Cardiovascular Incise Drape

DYNJP4004

Packaging: 8/cs

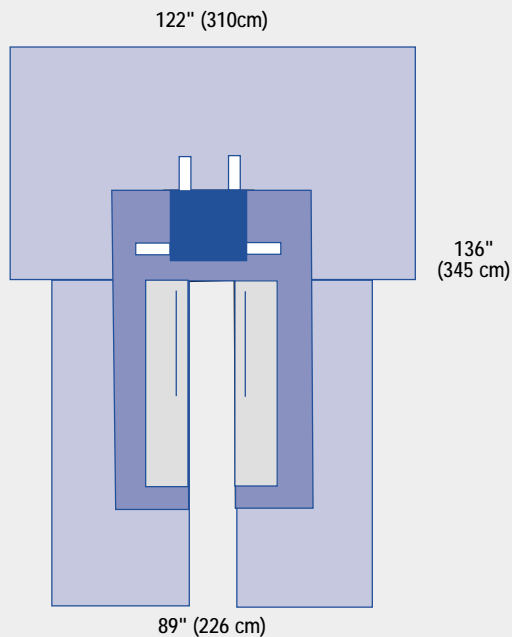
Non-Sterile Item Number: SPT-4203S

### Proxima Cardiovascular Incise Drape II

DYNJP4009

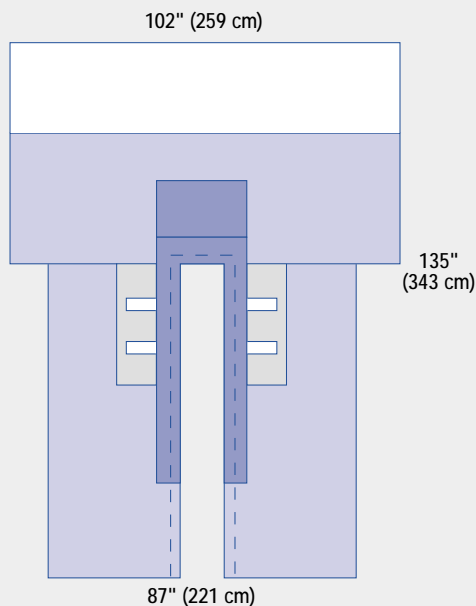
Packaging: 6/cs

Non-Sterile Item Number: SPT-4218S



### C-V Split Drape with Pouches

- Absorbent reinforcement, 38" x 100" (97 x 254 cm)
- Instrument pad, 26"x26" (66 x 66 cm)
- Contoured armboard covers
- Two 12" x 64" (30 x 163 cm) clear pouches with velcro-style closure
- Split with adhesive, 6" x 90" (15 x 229 cm)
- Velcro-style line holders



### C-V Split Drape with Clear Anesthesia Screen and Pouches

- Top reinforcement with flap, 14" x 20" (36 x 51 cm)
- Split reinforcement, 9" x 57" (23 x 145 cm)
- Split with adhesive, 7" x 80" (18 x 203 cm)
- Clear anesthesia screen, 102" x 27" (259 x 69 cm)
- Two 8" x 40" (20 x 102 cm) clear pouches with velcro-style closure
- Contoured armboard covers

### Proxima C-V Split Drape with Pouches

DYNJP4005

Packaging: 8/cs

Non-Sterile Item Number: SPT-4208S

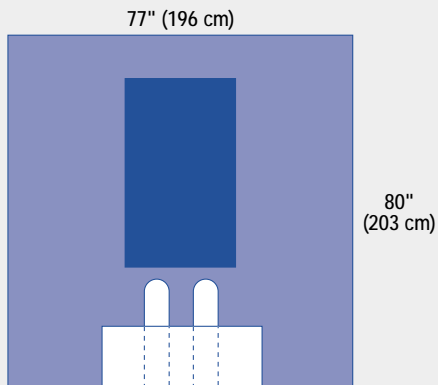
### Proxima C-V Split Drape with Clear Anesthesia Screen and Pouches

DYNJP4008

Packaging: 12/cs

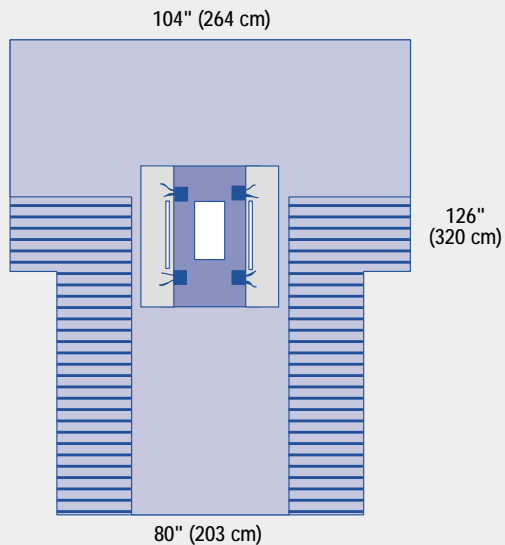
Non-Sterile Item Number: SPT-4214S





### Bilateral Split Drape

- Absorbent reinforcement, 24" x 47" (61 x 119 cm)
- Two 6" (15 cm) splits with tape
- Groin towel with adhesive



- Absorbent reinforcement, 15" x 40" (38 x 102 cm)
- 7" x 14" (18 x 36 cm) fenestration with adhesive
- Clear poly fluid collection pouches with tubing ties
- Contoured armboard covers

### Proxima Bilateral Split Drape

DYNJP4007

*Packaging: 20/cs*

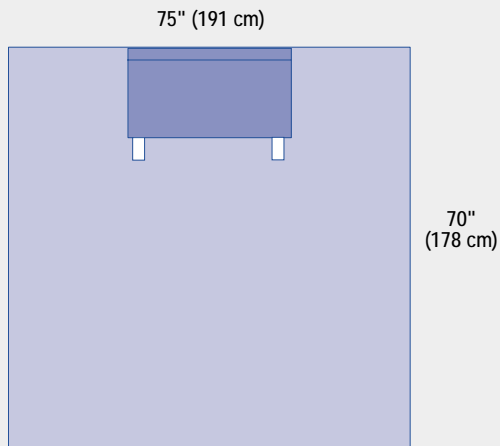
Non-Sterile Item Number: SPT-4204S

### Proxima Cardiovascular Drape with Pouches

DYNJP4016

*Packaging: 8/cs*

Non-Sterile Item Number: SPT-4216S



### Proxima Bottom Drape

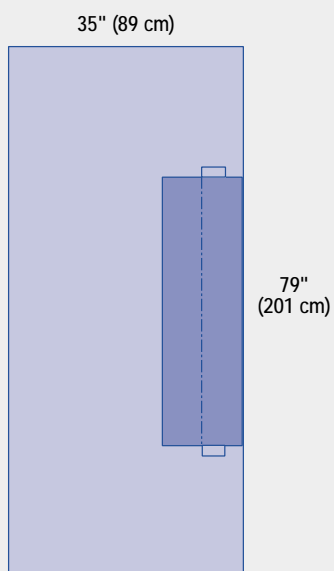
- Absorbent reinforcement 29" x 16" (74 x 41 cm)
- Adhesive along reinforced edge
- Velcro-style line holders

### Proxima Bottom Drape

\*

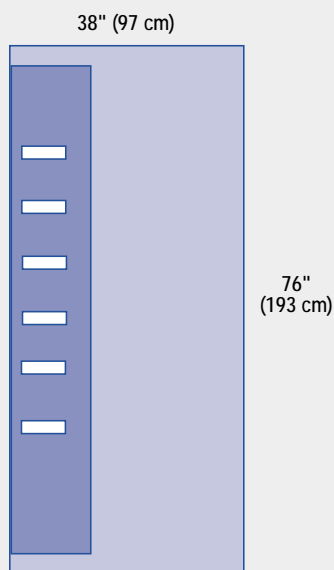
Non-Sterile Item Number: SPT-4206S

\* *not available sterile*



### Proxima Side Drape

- Absorbent reinforcement 12" x 40" (30 x 102 cm)
- Adhesive along reinforced edge
- 4" x 40" (10 x 102 cm) fabric troughs



### C-V Side Drape

- Absorbent reinforcement with flap, 13½" x 72" (34 x 183 cm)
- Adhesive along reinforced edge
- Six velcro-style line holders

---

### Proxima Side Drape

\*

Non-Sterile Item Number: SPT-4207S

\* *not available sterile*

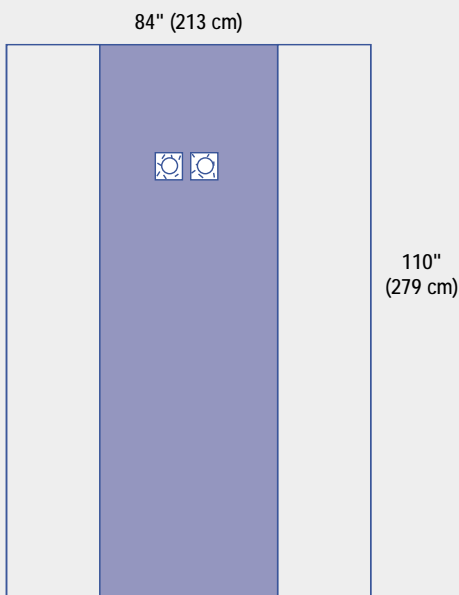
---

### Proxima C-V Side Drape

\*

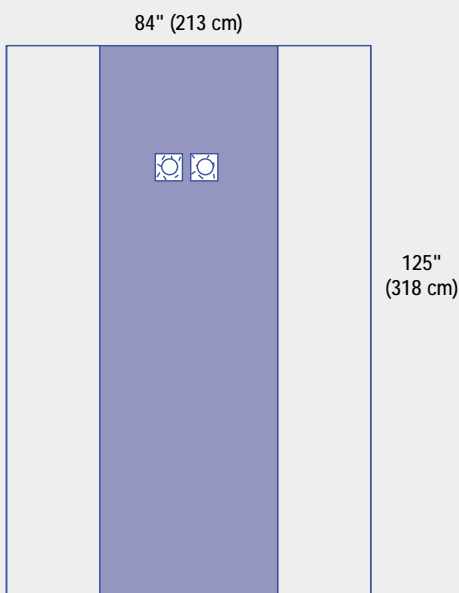
Non-Sterile Item Number: SPT-4209S

\* *not available sterile*



#### Femoral Angiography Drape

- Absorbent reinforcement, 34" x 110" (86 x 279 cm)
- Dual clear side panels
- Dual 6" (15 cm) circular fenestrations with incise, 3½" (9 cm) apertures



#### Femoral Angiography Drape

- Absorbent reinforcement, 34" x 125" (86 x 279 cm)
- Dual clear side panels
- Dual 6" (15 cm) circular fenestrations with incise, 3½" (9 cm) apertures

#### Proxima Femoral Angiography Drape

DYNJP4101

Packaging: 20/cs

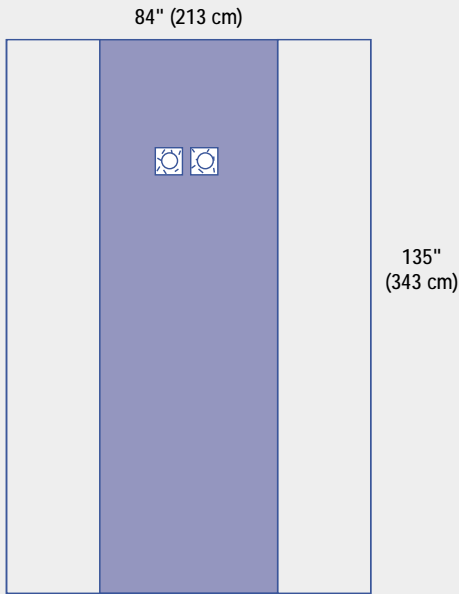
Non-Sterile Item Number: 27082

#### Proxima Femoral Angiography Drape

DYNJP4102

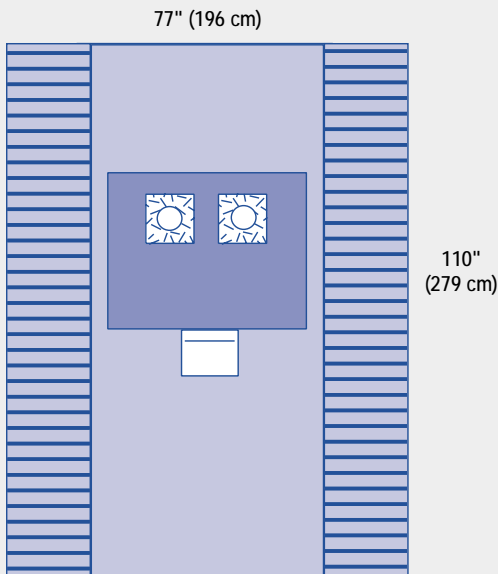
Packaging: 18/cs

Non-Sterile Item Number: 27083



**Femoral Angiography Drape**

- Absorbent reinforcement, 34" x 135" (86 x 343 cm)
- Dual clear side panels
- Dual 6" (15 cm) circular fenestrations with incise, 3½" (9 cm) apertures



**Femoral Angiography Drape**

- Dual 5½" (14 cm) circular fenestrations with incise and 3" (8 cm) apertures
- Absorbent reinforcement, 32" x 28" (81 x 71 cm)
- Catheter pouch

**Proxima Femoral Angiography Drape**

DYNJP4104

*Packaging: 20/cs*

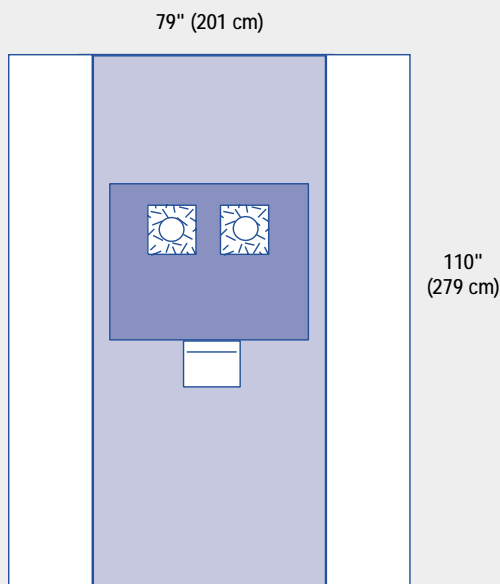
Non-Sterile Item Number: 27084

**Proxima Femoral Angiography Drape**

DYNJP4112

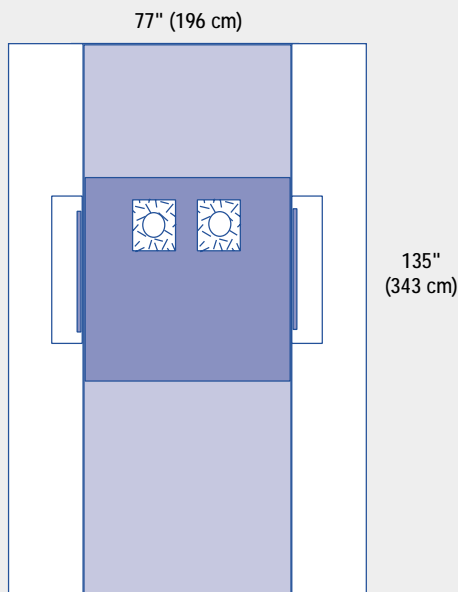
Non-Sterile Item Number: SPT-4112S

*Packaging: 12/cs*



### Femoral Angiography Drape

- Dual 5½" (14 cm) circular fenestrations with incise and 3" (8 cm) apertures
- Absorbent reinforcement, 32" x 28" (81 x 71 cm)
- Dual clear side panels
- Catheter pouch



### Femoral Angiography Drape with Pouches

- Dual 5½" (14 cm) circular fenestrations with incise and 3" (8 cm) apertures
- Absorbent reinforcement, 32" x 50" (81 x 127 cm)
- Dual clear side panels
- Dual clear poly fluid collection pouches

## Proxima Femoral Angiography Drape

DYNJP4113

Non-Sterile Item Number: SPT-4113S

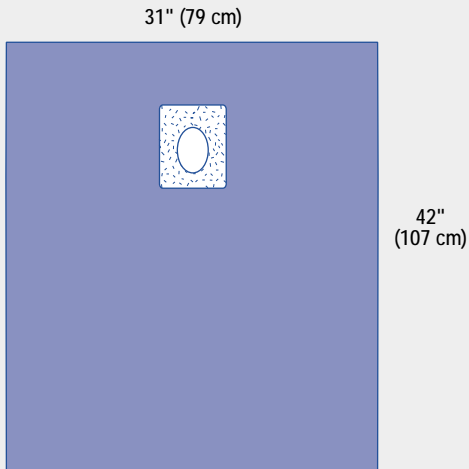
*Packaging: 12/cs*

## Proxima Femoral Angiography Drape with Pouches

DYNJP4114

Non-Sterile Item Number: SPT-4114

*Packaging: 10/cs*



**Brachial Angiography Drape**

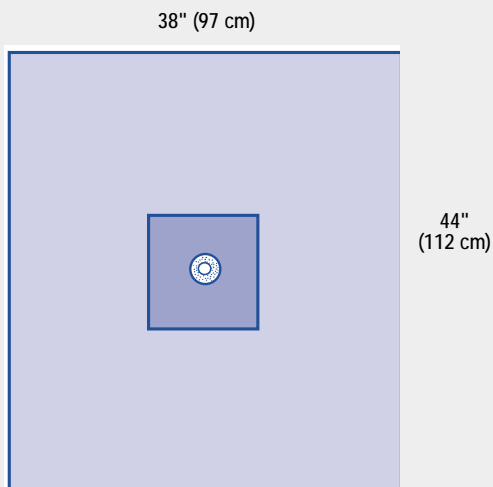
- 3 1/4" x 4 1/4" (8 x 10 cm) oval fenestration with adhesive
- Full absorbent material

**Proxima Brachial Angiography Drape**

DYNJP4105

Non-Sterile Item Number: 28749

*Packaging: 18/cs*



**Brachial Angiography Drape**

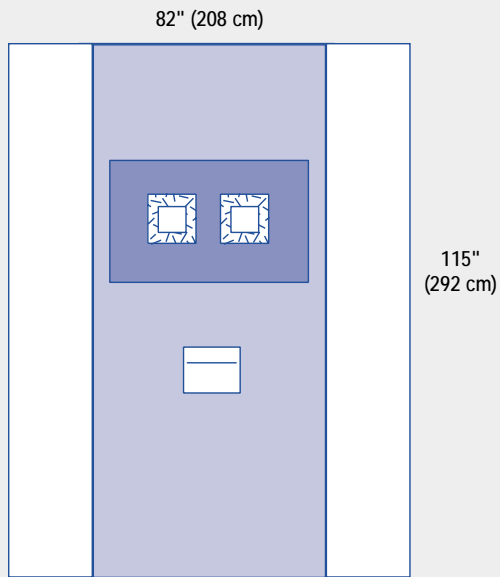
- 2 3/4" (7 cm) circular fenestration with incise
- 12" x 13" (30 x 33 cm) absorbent reinforcement

**Proxima Brachial Angiography Drape**

DYNJP4106

Non-Sterile Item Number: SPT-4106S

*Packaging: 40/cs*



### Pacemaker Drape

- Dual 6" x 7" (15 x 18 cm) rectangular fenestrations with incise
- 32" x 36" (81 x 91 cm) absorbent reinforcement
- 8" x 12" (20 x 30 cm) catheter pouch with former

### Proxima Pacemaker Drape

DYNJP4107

Non-Sterile Item Number: 25668

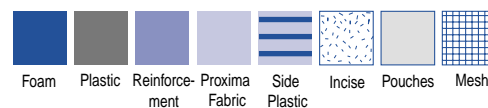
Packaging: 20/cs

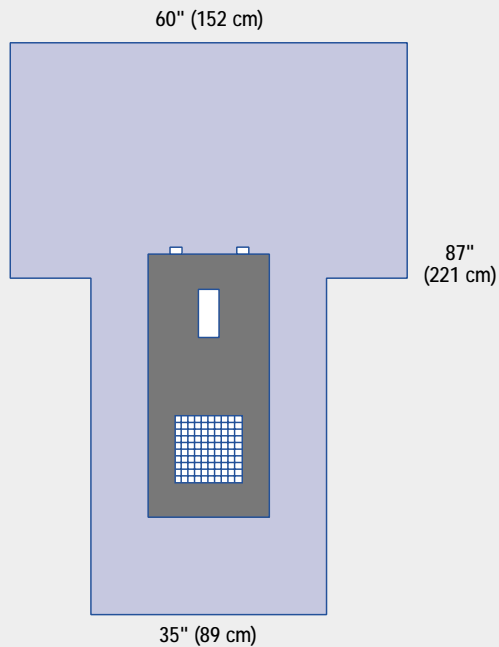


The MEDLINE logo features the word "MEDLINE" in a bold, sans-serif font, positioned above a stylized white starburst graphic.The Proxima logo consists of the word "Proxima" in a blue, sans-serif font, with a blue swoosh underline that starts under the 'P' and ends under the 'a'.

**CYSTOSCOPY**

		Page Number	Case Pack	Cardinal Convertors	Molnlycke Barrier	Kimberly Clark	Maxxim Boundary
<b>Cystoscopy Packs</b>							
DYNJP5000	Cystoscopy Pack I	91	14	29380	---	88611	CY016
DYNJP5010	Cystoscopy Pack II	91	10	29360	1222	88621	CY036
DYNJP5020	Cystoscopy Pack III	92	8	---	0223	88631	CY026
DYNJP5040	Cystoscopy Pack V	93	14	---	0220	88618	---
DYNJP5050	Cystoscopy Pack VI	93	14	---	---	88618	---
DYNJP5060	Cystoscopy Pack VII	94	14	29380	---	---	---
DYNJP5070	Cystoscopy Pack VIII	94	10	29371	---	88648/88638/88658	CY026A/CY025
<b>Cystoscopy Drape and Accessories</b>							
DYNJP5001	Proxima Cystoscopy T-Drape	95	16	---	---	---	---
DYNJP2460	Proxima Leggings	97	20	8420	1255	89408	---
DYNJP2461	Proxima X-Large Leggings	97	20	8430	0255	---	---
DYNJP2462	Proxima Clear Leggings	98	20	8430	---	---	LG030

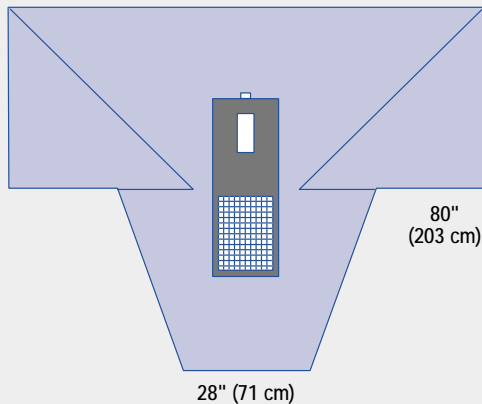




#### Cystoscopy T-Drape included in pack DYNJP5000

- Impervious reinforcement, 18" x 39" (46 x 99 cm)
- Fenestration, 3" x 7" (8 x 18 cm)
- Mesh screen, 10" x 10" (25 x 25 cm)
- Velcro-style line holders
- Drape available separately as DYNJP5001, sterile

105" (267 cm)



#### Cystoscopy Drape included in pack DYNJP5010

- Impervious reinforcement, 13" x 36" (33 x 91 cm)
- Fenestration, 3" x 7" (8 x 18 cm)
- Mesh screen, 10" x 10" (25 x 25 cm)
- Attached leggings
- Velcro-style line holders

#### Cystoscopy Pack I

DYNJP5000

- 1 Hand towel
- 2 Leggings, 29" x 43" (74 x 109 cm)
- 1 Cystoscopy T-drape
- 1 Table cover, reinforced poly, 44" x 76" (112 x 193 cm)

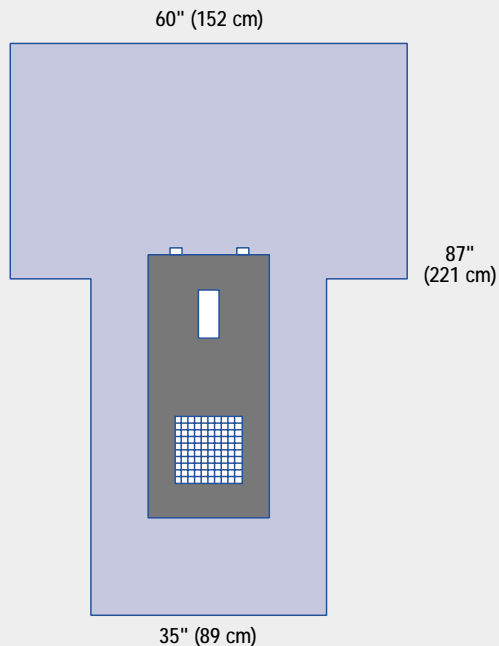
Packaging: 14/cs

#### Cystoscopy Pack II

DYNJP5010

- 1 Hand towel
- 1 Cystoscopy drape with attached leggings
- 1 Table cover, reinforced poly, 44" x 76" (112 x 193 cm)

Packaging: 10/cs



**Cystoscopy T-Drape included in pack  
DYNJP5020**

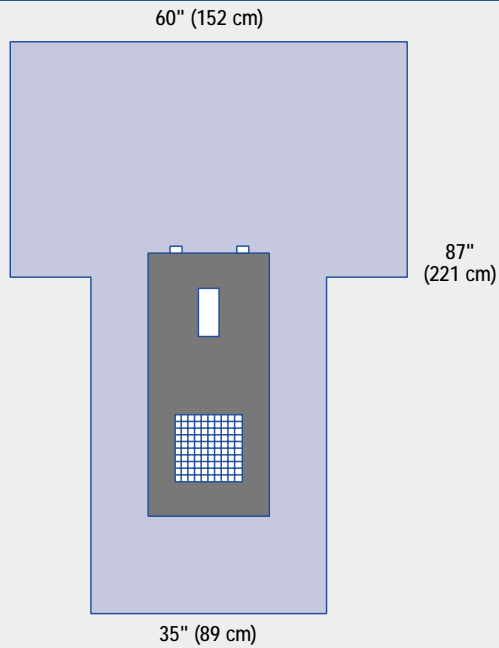
- Impervious reinforcement, 18" x 39" (46 x 99 cm)
- Fenestration, 3" x 7" (8 x 18 cm)
- Mesh screen, 10" x 10" (25 x 25 cm)
- Velcro-style line holders
- Drape also available separately as DYNJP5001, sterile

**Cystoscopy Pack III**

**DYNJP5020**

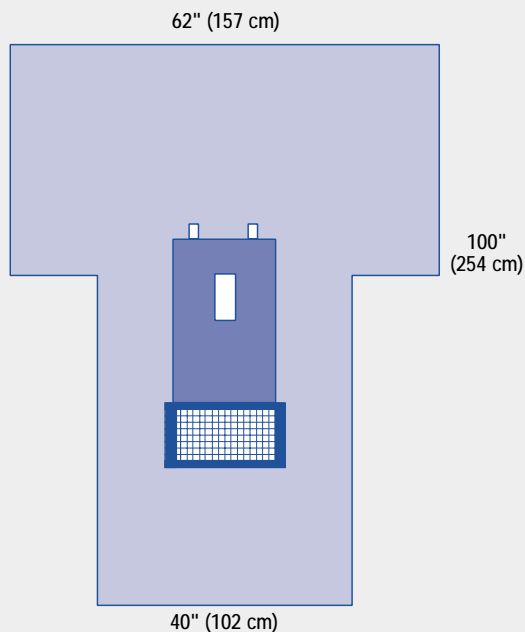
- 2 Hand towels
- 1 Gown, X-Large, X-Long, poly reinforced
- 2 Leggings, 29" x 43" (74 x 109 cm)
- 1 Cystoscopy T-drape
- 1 Table cover, reinforced poly, 44" x 76" (112 x 193 cm)

*Packaging: 8/cs*



#### Cystoscopy T-Drape included in pack DYNJP5040

- Impervious reinforcement, 18" x 39" (46 x 99 cm)
- Fenestration, 3" x 7" (8 x 18 cm)
- Mesh screen, 10" x 10" (25 x 25 cm)
- Velcro-style line holders
- Drape also available separately as DYNJP5001, sterile



#### Large Cystoscopy T-Drape included in pack DYNJP5050

- Impervious absorbent reinforcement, 16" x 23" (41 x 58 cm)
- Fenestration, 3" x 7" (8 x 18 cm)
- Mesh screen, 10" x 16" (25 x 41 cm)
- Velcro-style line holders

#### Cystoscopy Pack V

DYNJP5040

- 2 Hand towels
- 2 XL Leggings, 33" x 51" (84 x 130 cm)
- 1 Cystoscopy T-Drape
- 1 Table cover, reinforced poly, 44" x 76" (112 x 193 cm)

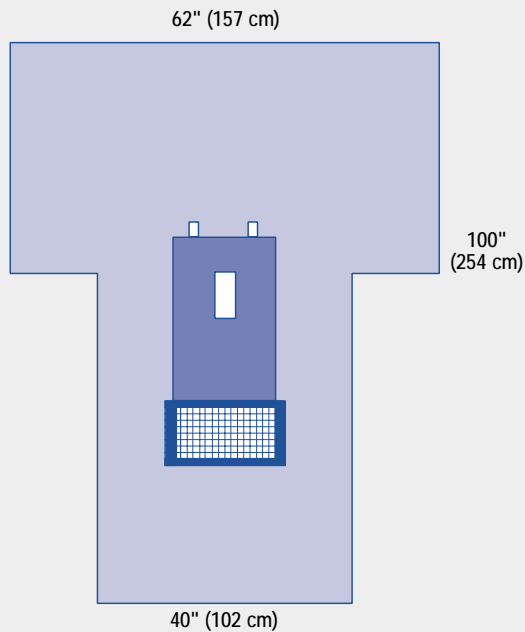
Packaging: 14/cs

#### Cystoscopy Pack VI

DYNJP5050

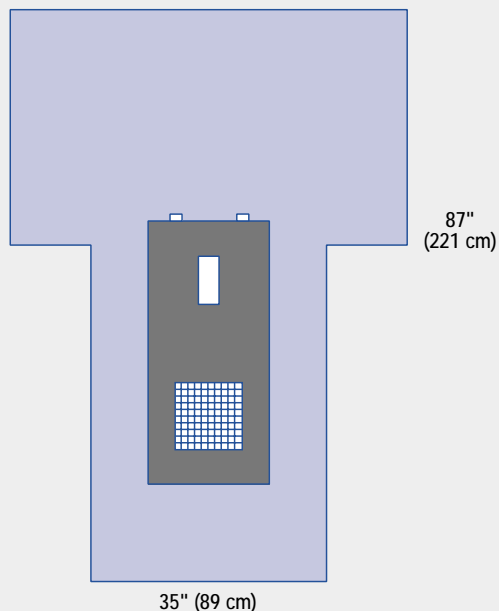
- 1 Hand towel
- 2 XL Leggings, 33" x 51" (84 x 130 cm)
- 1 Large Cystoscopy T-Drape
- 1 Table cover, reinforced poly, 44" x 76" (112 x 193 cm)

Packaging: 14/cs



#### Large Cystoscopy T-Drape included in pack DYNJP5060

- Impervious absorbent reinforcement, 18" x 39" (46 x 99 cm)
- Fenestration, 3" x 7" (8 x 18 cm)
- Mesh screen, 10" x 10" (25 x 25 cm)
- Velcro-style line holders  
60" (152 cm)



#### Cystoscopy T-Drape included in pack DYNJP5070

- Impervious reinforcement, 16" x 23" (41 x 58 cm)
- Fenestration, 3" x 7" (8 x 18 cm)
- Mesh screen, 10" x 16" (25 x 41 cm)
- Velcro-style line holders
- Drape also available separately as DYNJP5001, sterile

#### Cystoscopy Pack VII

DYNJP5060

- 1 Hand towel
- 2 Leggings, 29" x 43" (74 x 109 cm)
- 1 Large Cystoscopy T-Drape
- 1 Table cover, 44" x 76" (112 x 193 cm)

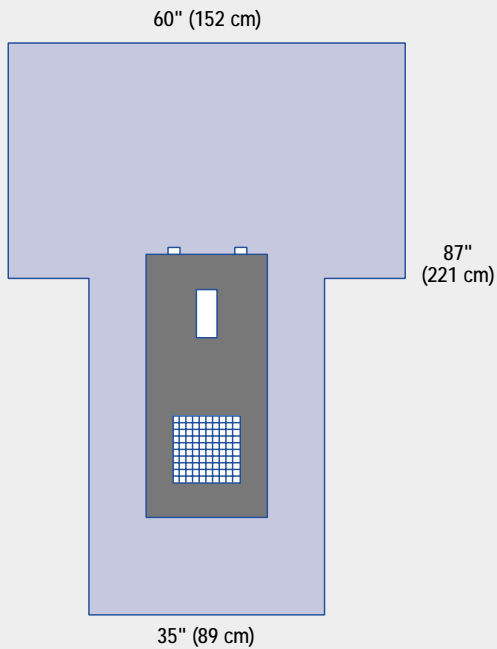
Packaging: 14/cs

#### Cystoscopy Pack VIII

DYNJP5070

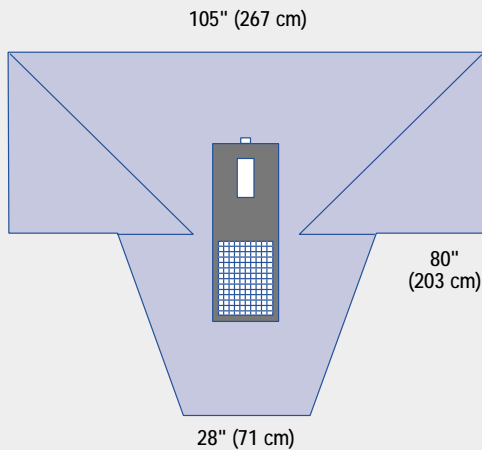
- 1 Hand towel
- 1 Specialty gown, XL with Pleat
- 2 XL Leggings, 33" x 51" (84 x 130 cm)
- 1 Cystoscopy T-Drape
- 1 Table cover, 44" x 76" (112 x 193 cm)

Packaging: 10/cs



**Cystoscopy T-Drape**

- Impervious reinforcement, 18" x 39" (46 x 99 cm)
- Fenestration, 3" x 7" (8 x 18 cm)
- Mesh screen, 10" x 10" (25 x 25 cm)
- Velcro-style line holders



**Cystoscopy Drape**

- Impervious reinforcement, 13" x 36" (33 x 91 cm)
- Fenestration, 3" x 7" (8 x 18 cm)
- Mesh screen, 10" x 10" (25 x 25 cm)
- Attached leggings
- Velcro-style line holders

**Proxima Cystoscopy T-Drape**

DYNJP5001

Packaging: 16/cs

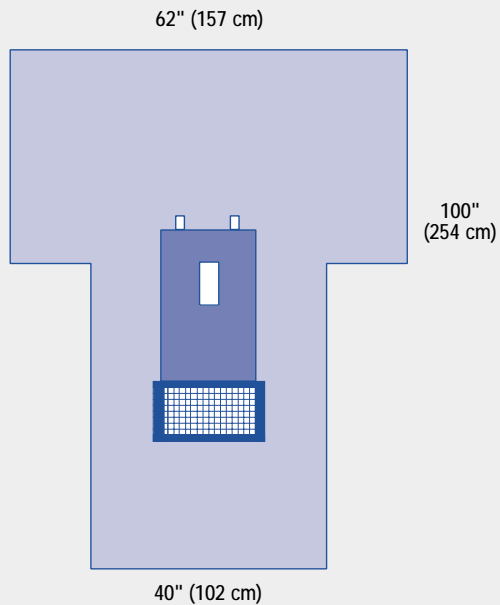
Non-Sterile Item Number: SPT-5090S

**Proxima Cystoscopy Drape with Attached Leggings**

\*

Non-Sterile Item Number: SPT-5091S

\* not available sterile



### Large Cystoscopy T-Drape

- Impervious reinforcement, 16" x 23" (41 x 58 cm)
- Fenestration, 3" x 7" (8 x 18 cm)
- Mesh screen, 10" x 16" (25 x 41 cm)
- Velcro-style line holders

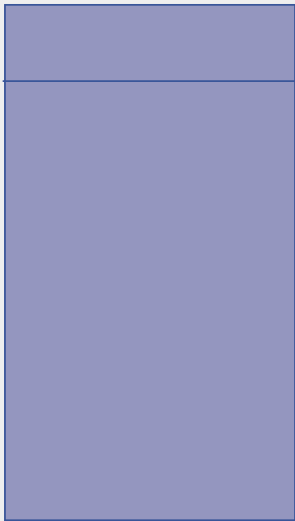
### Proxima Large Cystoscopy T-Drape \*

Non-Sterile Item Number: SPT-5092S

\* *not available sterile*



29" (74 cm)

43"  
(109 cm)**Leggings**

---

**Proxima Leggings****DYNJP2460**

2 Leggings, 29" x 43" with 6" cuff  
(74 x 109 cm, 15 cm cuff)

*Packaging: 20 pr/cs*

Non-Sterile Item Number: 12147

33" (84 cm)

51"  
(130 cm)**Extra Large Leggings**

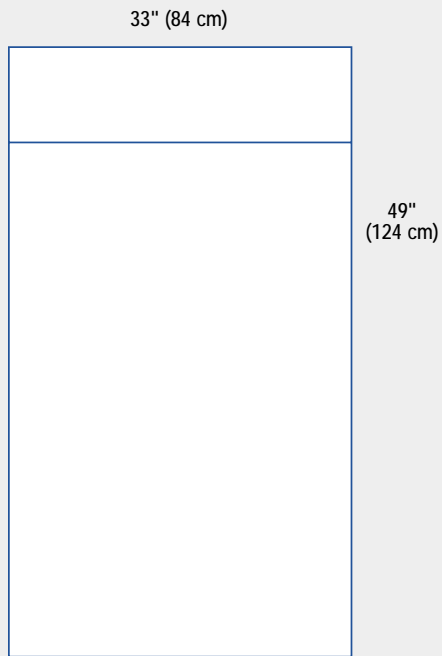
---

**Proxima X-Large Leggings****DYNJP2461**

2 Leggings, X-Large, 33" x 51" with 6" cuff  
(84 x 130 cm, 15 cm cuff)

*Packaging: 20 pr/cs*

Non-Sterile Item Number: 27478



Clear Leggings

### Proxima Clear Leggings

DYNJP2462

2 Leggings, Clear, 33" x 49" (84 x 124 cm)

*Packaging: 20 pr/cs*

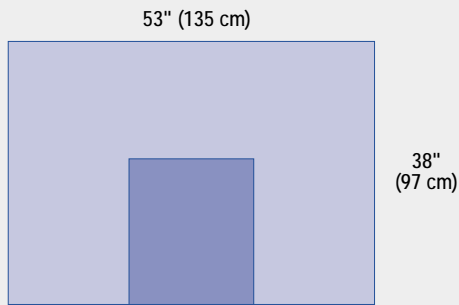
Non-Sterile Item Number: SPT-2462



*Proxima*

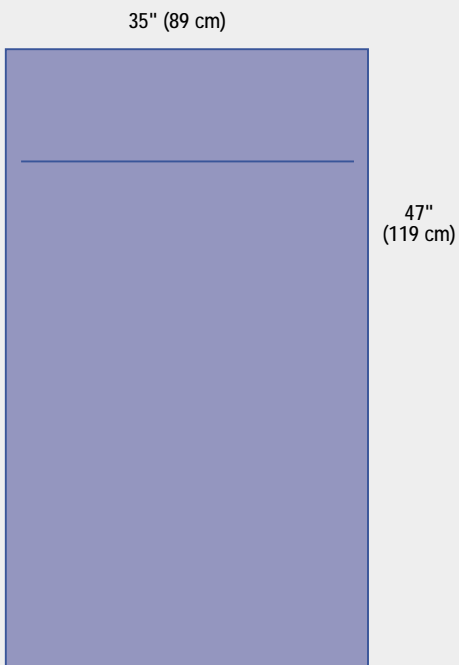
**OBSTETRICS**

		<u>Page Number</u>	<u>Case Pack</u>	<u>Cardinal Convertors</u>	<u>Molnlycke Barrier</u>	<u>Kimberly Clark</u>	<u>Maxxim Boundary</u>
<b>OB Packs</b>							
DYNJP6000	OB Pack I	101	6	29760	---	---	LD012 / LD011
DYNJP6010	OB Pack II	101	6	29730	0135	88831	LD030 / LD020
DYNJP6020	OB Pack III	102	6	29700	---	88841	LD070 / LD099A
DYNJP6030	OB Pack IV	103	6	---	0136	---	LD040
DYNJP6040	OB Pack V	103	6	---	0138	---	LD021 / LD080 / LD081
<b>OB Accessories</b>							
DYNJP6001	Proxima Underbuttocks Drape	104	40	8483	1229	89413	UB015
DYNJP6002	Proxima Underbuttocks Drape with Pouch and Port	104	20	8482/8484	0229	89414	FP015/FP016
DYNJP6003	Proxima Circumcision Drape	104	40	---	---	---	---
DYNJP2460	Proxima Leggings	105	20	8420	1255	89408	LG015
DYNJP2461	Proxima Leggings, X-Large	105	20	8430	0255	---	LG025
DYNJP2462	Proxima Leggings, Clear	106	20	8430	---	---	LG030
DYNJP2413	Proxima Set-Up Cover	106	20	---	---	---	---
<b>C-Section Packs</b>							
DYNJP6100	C-Section Pack I	109	4	29780	0230	88726/88729	OB080
DYNJP6110	C-Section Pack II	109	4	29781	1239/1237	88728/88727	OB070 / OB075 / OB060
DYNJP6120	C-Birth Plus Pack	110	2	28000-200	---	---	---
DYNJP6130	C-Birth Pack III	111	4	---	0233	---	---
<b>C-Section Drapes</b>							
DYNJP6101	Proxima C-Section Drape with Pouch	112	7	29447/29448	0231	89525/89529	CS080
DYNJP6102	Proxima C-Section Drape with Pouch and Fenestration	112	7	29449/29452	0239	89526/89528	CS070



**Abdominal Drape included in packs  
DYNJP6000, DYNJP6010**

- Absorbent reinforcement, 21" x 18" (53 x 46 cm)
- Adhesive



**Underbuttocks Drape included in packs  
DYNJP6000, DYNJP6010**

- Drape is also available separately as DYNJP6001, sterile

### OB Pack I

DYNJP6000

- 2 Hand towels
- 1 Underbuttocks drape with cuff
- 10 Gauze sponges, x-ray detectable, 4" x 4" (10 x 10 cm), 16 ply
- 2 Leggings, 29" x 43" (74 x 109 cm)
- 2 OB pads, 11" (28 cm)
- 1 Placenta basin
- 1 Set-up cover, 40" x 70" (102 x 178 cm)
- 1 Umbilical cord clamp
- 1 Vaginal packing sponge, x-ray detectable, 4" x 36" (10 x 91 cm)
- 1 Abdominal drape
- 1 Table cover, reinforced poly, 44" x 76" (112 x 193 cm)

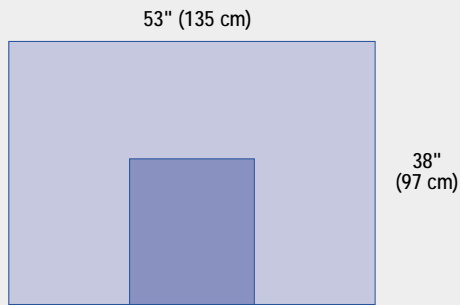
*Packaging: 6/cs*

### OB Pack II

DYNJP6010

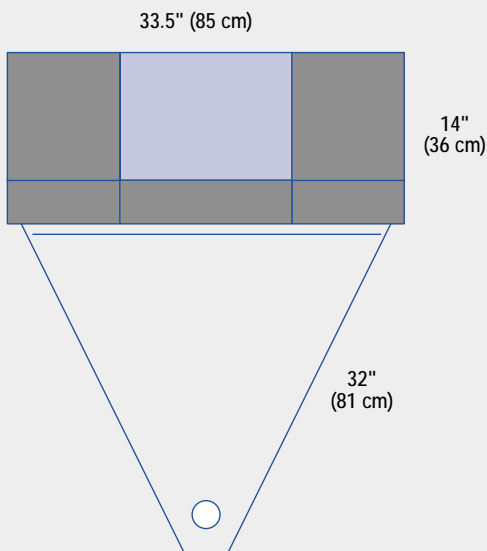
- 3 Hand towels
- 1 Gown, large, poly reinforced
- 1 Underbuttocks drape, with cuff
- 1 Baby blanket, 30" x 35" (76 x 89 cm)
- 1 Ear/Ulcer syringe, 2oz.
- 10 Gauze sponges, x-ray detectable, 4" x 4" (10 x 10 cm), 16 ply
- 2 Leggings, 29" x 43" (74 x 109 cm)
- 2 OB pads, 11" (28 cm)
- 1 Placenta basin
- 1 Set-up cover, 40" x 70" (102 x 178 cm)
- 1 Umbilical cord clamp
- 1 Vaginal packing sponge, x-ray detectable, 4" x 36" (10 x 91 cm)
- 1 Abdominal drape
- 1 Table cover, reinforced poly, 44" x 76" (112 x 193 cm)

*Packaging: 6/cs*



**Abdominal Drape included in pack  
DYNJP6020**

- Absorbent reinforcement, 21" x 18" (53 x 46 cm)
- Adhesive



**Underbuttocks Drape included in pack  
DYNJP6020**

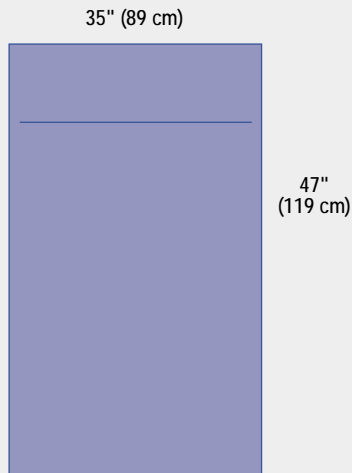
- Drape also available separately as DYNJP6002, sterile

### OB Pack III

DYNJP6020

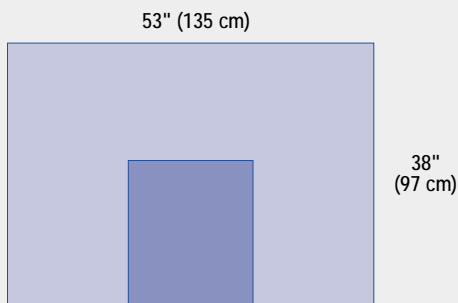
- 3 Hand towels
- 1 Gown, large, poly reinforced
- 1 Underbuttocks drape with fluid collection pouch
- 1 Baby blanket, 30" x 35" (76 x 89 cm)
- 1 Ear/Ulcer syringe, 2oz., blue
- 1 Ear/Ulcer syringe, 3oz., green
- 10 Gauze sponges, x-ray detectable, 4" x 4" (10 x 10 cm), 16 ply
- 2 Leggings, 29" x 43" (74 x 109 cm)
- 2 OB pads, 11" (28 cm)
- 1 Placenta basin
- 1 Set-up cover, 40" x 70" (102 x 178 cm)
- 1 Umbilical cord clamp
- 1 Vaginal packing sponge, x-ray detectable, 4" x 36" (10 x 91 cm)
- 1 Abdominal drape
- 1 Table cover, reinforced poly, 44" x 76" (112 x 193 cm)

*Packaging: 6/cs*



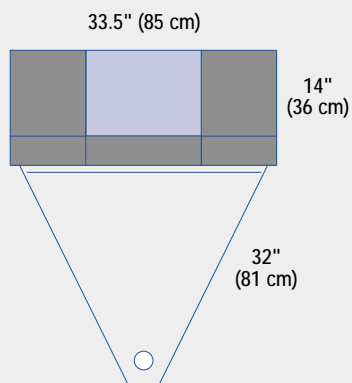
**Underbuttocks Drape included in pack  
DYNJP6030**

- Drape is also available separately as DYNJP6001, sterile



**Abdominal Drape included in packs  
DYNJP6030, DYNJP6040**

- Absorbent reinforcement, 21" x 18" (53 x 46 cm)
- Adhesive



**Underbuttocks Drape included in pack  
DYNJP6040**

- Drape also available separately as DYNJP6002, sterile

**OB Pack IV**

**DYNJP6030**

- 1 Hand towels
- 1 Gown, large, extra-long poly reinforced
- 1 Underbuttocks drape, with cuff
- 1 Baby blanket, 30" x 35" (76 x 89 cm)
- 1 Ear/Ulcer syringe, 2oz.
- 10 Gauze sponges, x-ray detectable, 4" x 4" (10 x 10 cm), 16 ply
- 2 Leggings, 29" x 43" (74 x 109 cm)
- 2 OB pads, 11" (28 cm)
- 1 Placenta basin
- 1 Set-up cover, 40" x 70" (102 x 178 cm)
- 1 Umbilical cord clamp
- 1 Vaginal packing sponge, x-ray detectable, 4" x 36" (10 x 91 cm)
- 1 Abdominal drape
- 1 Table cover, reinforced poly, 44" x 76" (112 x 193 cm)

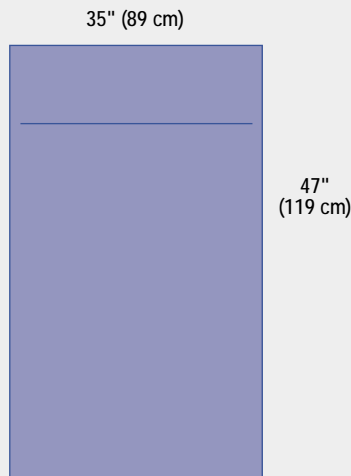
*Packaging: 6/cs*

**OB Pack V**

**DYNJP6040**

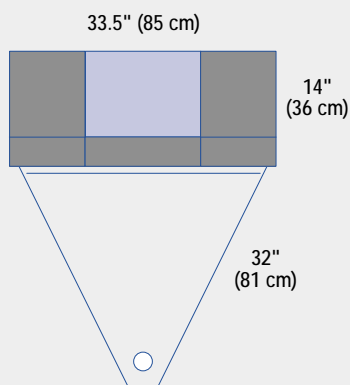
- 3 Hand towels
- 1 Gown, large, extra-long, poly reinforced
- 1 Underbuttocks drape with fluid collection pouch
- 1 Baby blanket, 30" x 35" (76 x 89 cm)
- 1 Ear/Ulcer syringe, 2oz. blue
- 1 Ear/Ulcer syringe, 3oz. green
- 10 Gauze sponges, x-ray detectable, 4" x 4" (10 x 10 cm), 16 ply
- 2 Leggings, 29" x 43" (74 x 109 cm)
- 2 OB pads, 11" (28 cm)
- 1 Placenta basin
- 1 Set-up cover, 40" x 70" (102 x 178 cm)
- 1 Umbilical cord clamp
- 1 Vaginal packing sponge, x-ray detectable, 4" x 36" (10 x 91 cm)
- 1 Abdominal drape
- 1 Table cover, reinforced poly, 44" x 76" (112 x 193 cm)

*Packaging: 6/cs*

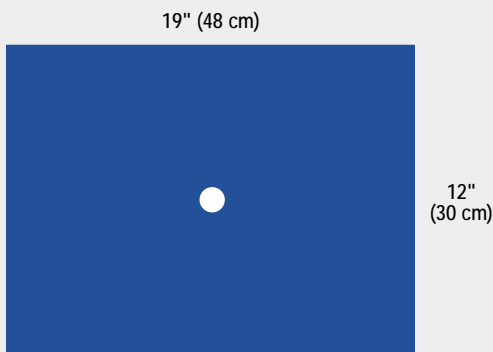


### Underbuttocks Drape

- 7" Cuff (18 cm)



### Underbuttocks Drape with Pouch and Drainage Port



### Proxima Circumcision Drape

- Foam
- $\frac{5}{8}$ " (1.6 cm) circular fenestration

### Proxima Underbuttocks Drape

DYNJP6001

Packaging: 40/cs

Non-Sterile Item Number: SPT-2490

### Proxima Underbuttocks Drape with Pouch and Port

DYNJP6002

Packaging: 20/cs

Non-Sterile Item Number: 08454

### Proxima Circumcision Drape

DYNJP6003

Packaging: 40/cs

Non-Sterile Item Number: 10301



29" (74 cm)



Leggings

---

**Proxima Leggings****DYNJP2460**

2 Leggings, 29" x 43" with 6" cuff

*Packaging: 20 pr/cs*

Non-Sterile Item Number: 12147

33" (84 cm)



Extra Large Leggings

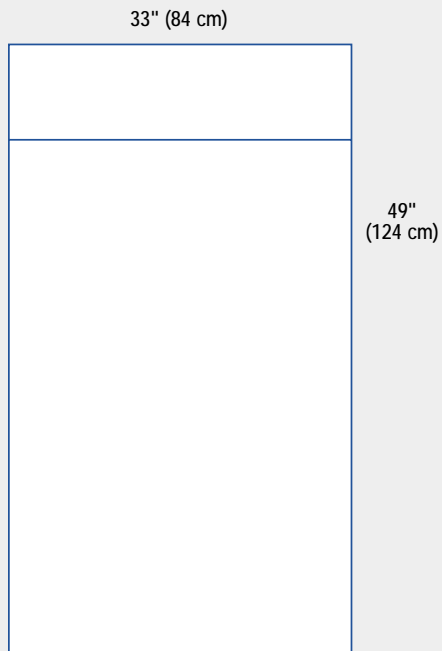
---

**Proxima X-Large Leggings****DYNJP2461**

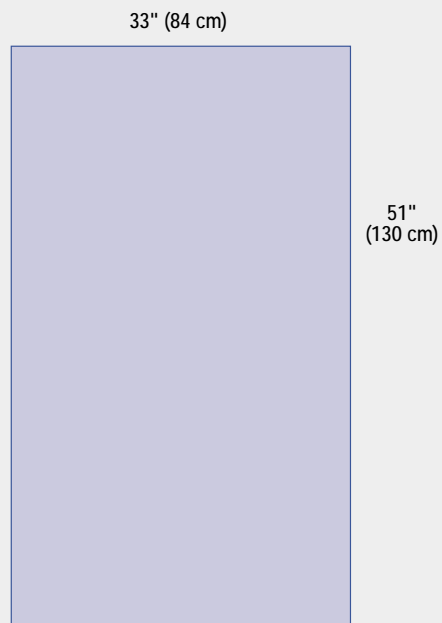
2 Leggings, X-Large, 33" x 51" with 6" cuff

*Packaging: 20 pr/cs*

Non-Sterile Item Number: 27478



Clear Leggings



Set-Up Cover

**Proxima Clear Leggings****DYNJP2462**

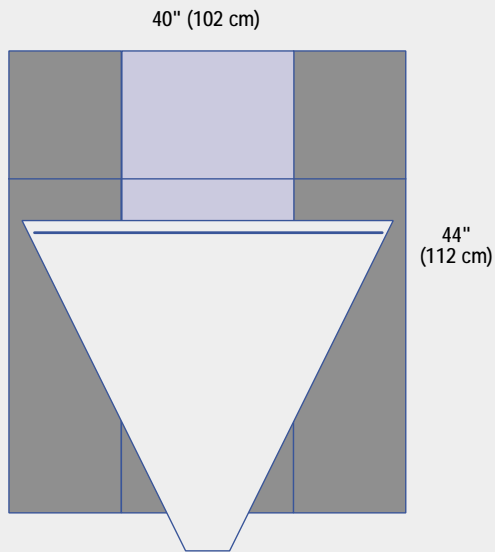
2 Leggings, Clear, 33" x 49" (84 x 124 cm)

*Packaging: 20 pr/cs*

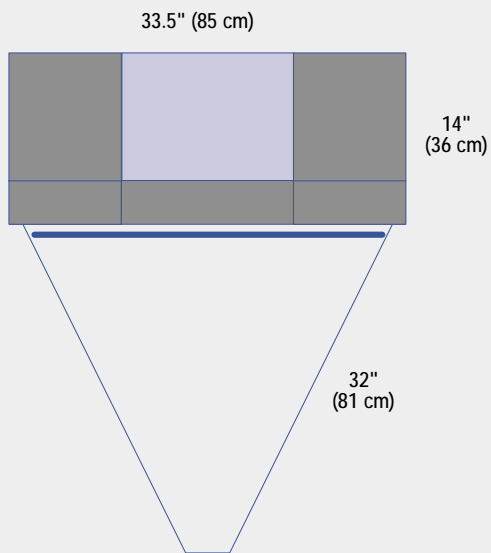
Non-Sterile Item Number: SPT-2462

**Proxima Set-Up Cover****DYNJP2413***Packaging: 20/cs*

Non-Sterile Item Number: 20868



**Underbuttocks Drape with Backing and Pouch**



**Underbuttocks Drape with Pouch**

---

**Proxima Underbuttocks Drape with Backing and Pouch, No Port \***

Non-Sterile Item Number: SPT-2493

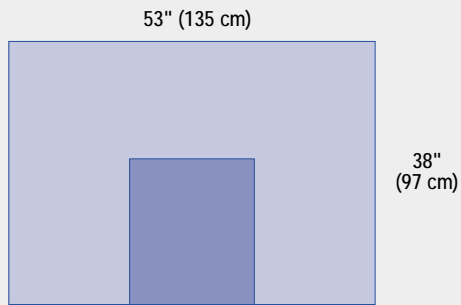
\* *not available sterile*

---

**Proxima Underbuttocks Drape with Pouch, No Port \***

Non-Sterile Item Number: SPT-2495

\* *not available sterile*



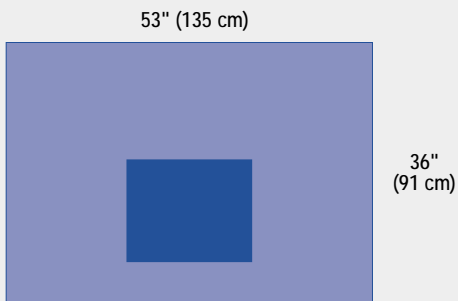
### Abdominal Drape

- Absorbent reinforcement, 21" x 18" (53 x 46 cm)
- Adhesive



### Economy Abdominal Drape

- Adhesive



### Economy Abdominal Drape with Foam

- Foam reinforcement, 19" x 11" (48 x 28 cm)
- Adhesive

---

### Proxima Abdominal Drape

\*

Non-Sterile Item Number: SPT-2600S

\* *not available sterile*

---

### Proxima Economy Abdominal Drape

\*

Non-Sterile Item Number: 07479

\* *not available sterile*

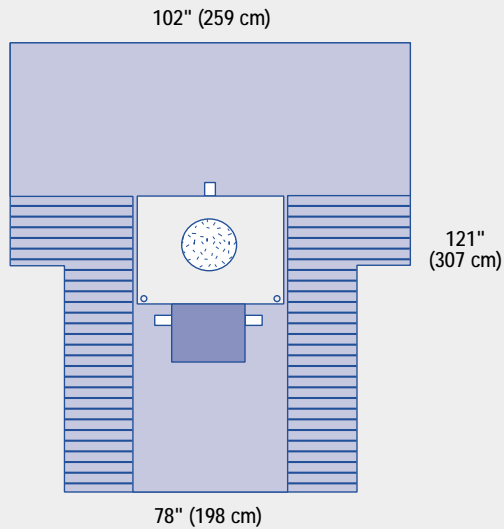
---

### Proxima Economy Abdominal Drape with Foam

\*

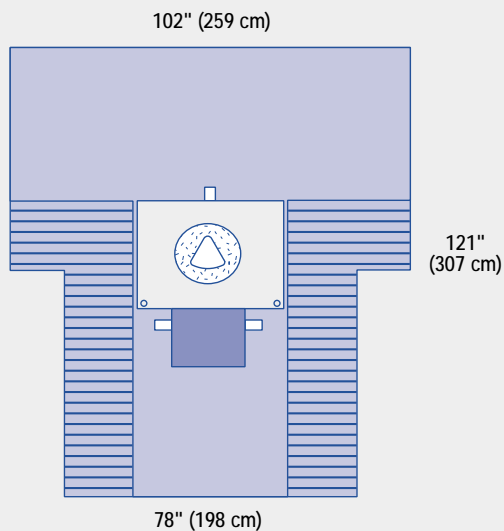
Non-Sterile Item Number: 05902

\* *not available sterile*



**C-Section Drape with Pouch and Incise included in pack DYNJP6100**

- Absorbent reinforcement, 20" x 15" (51 x 38 cm)
- Block Incise, 15" x 13" (38 x 33 cm)
- 360° fluid control pouch with formers
- Contoured armboard covers
- Velcro-style line holders
- Drape also available separately as DYNJP6101, sterile



**C-Section Drape with Pouch and Fenestration included in pack DYNJP6110**

- Absorbent reinforcement, 20" x 15" (51 x 38 cm)
- 15" x 13" (38 x 33 cm) incise area with pear shaped fenestration, 7" x 7" (18 x 18 cm)
- 360° fluid control pouch with formers
- Contoured armboard covers
- Velcro-style line holders
- Drape also available separately as DYNJP6102, sterile

**C-Birth Pack I**

**DYNJP6100**

- 1 Gown, large, poly reinforced with towel in outer wrap
- 4 Hand towels
- 2 Gowns, large, poly reinforced
- 1 Mayo stand cover, 24" x 53" (61 x 135 cm)
- 1 Baby blanket, 30" x 35" (76 x 89 cm)
- 1 Ear/Ulcer syringe, 2oz.
- 2 OB pads, 11" (28 cm)
- 1 Placenta basin
- 1 Umbilical cord clamp
- 1 Suture bag
- 1 C-Section drape with pouch and block incise
- 1 Table cover, reinforced poly, 50" x 90" (127 x 229 cm)

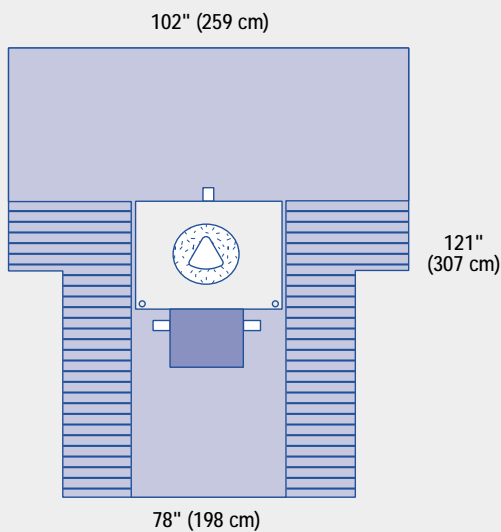
*Packaging: 4/cs*

**C-Birth Pack II**

**DYNJP6110**

- 1 Gown, large, poly reinforced with towel in outer wrap
- 4 Hand towels
- 2 Gowns, large, poly reinforced
- 1 Mayo stand cover, 24" x 53" (61 x 135 cm)
- 1 Baby blanket, 30" x 35" (76 x 89 cm)
- 1 Ear/Ulcer syringe, 2oz.
- 2 OB pads, 11" (28 cm)
- 1 Placenta basin
- 1 Umbilical cord clamp
- 1 Suture bag
- 1 C-Section drape with pouch and fenestrated incise
- 1 Table cover, reinforced poly, 50" x 90" (127 x 229 cm)

*Packaging: 4/cs*



**C-Section Drape with Pouch and Fenestration included in pack DYNJP6120**

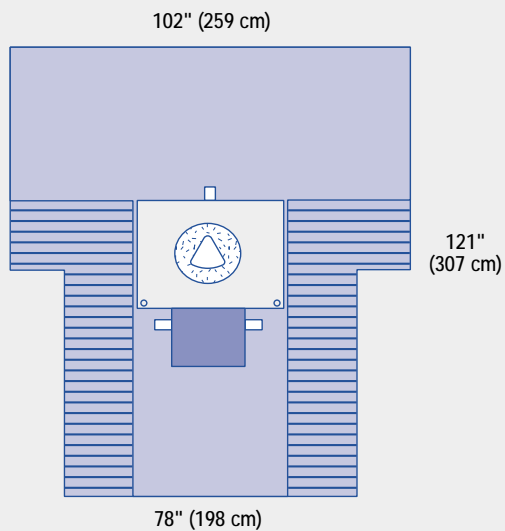
- Absorbent reinforcement, 20" x 15" (51 x 38 cm)
- 15" x 13" (38 x 33 cm) incise area with pear shaped fenestration, 7" x 7" (18 x 18 cm)
- 360° fluid control pouch with formers
- Contoured armboard covers
- Velcro-style line holders
- Drape also available separately as DYNJP6102, sterile

**C-Birth Plus Pack**

**DYNJP6120**

- 1 Gown, large, poly reinforced with towel in outer wrap
- 2 Gowns, large, poly reinforced
- 1 Mayo stand cover, 24" x 53" (61 x 135 cm)
- 1 Suture bag
- 1 C-Section drape with pouch and fenestrated incise
- 2 OB pads, 11" (28 cm)
- 1 Needle counter, 30 count
- 20 Lap sponges, 18" x 18," washed (46 x 46 cm)
- 1 Umbilical cord clamp
- 1 Ear/Ulcer syringe, 2oz.
- 1 Blood collection tube, red top
- 1 Blood collection tube, purple top
- 2 Blades, No. 10
- 1 Blade, No. 20
- 1 Placenta basin
- 5 O.R. towels
- 1 Baby blanket, 30" x 35" (76 x 89 cm)
- 1 Medicine cup, 2oz.
- 1 Bowl, 32oz., graduated
- 1 Suction tube, 12' x ¼ " (366 x .64 cm)
- 1 Yankauer, bulb tip without vent
- 2 Ring basins
- 2 CSR wraps, 54" x 54" (137 x 137 cm)
- 1 Table cover, heavy duty, 60" x 90," (152 x 229 cm)

*Packaging: 2/cs*



**C-Section Drape with Pouch and Fenestration included in pack DYNJP6130**

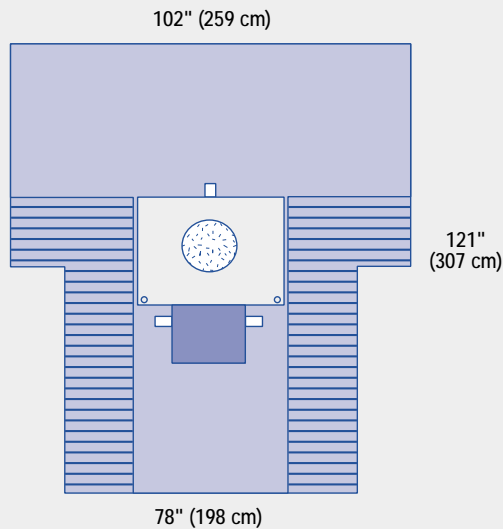
- Absorbent reinforcement, 20" x 15" (51 x 38 cm)
- 15" x 13" (38 x 33 cm) incise area with pear shaped fenestration, 7" x 7" (18 x 18 cm)
- 360° fluid control pouch with formers
- Contoured armboard covers
- Velcro-style line holders
- Drape also available separately as DYNJP6102, sterile

**C-Birth Pack III**

**DYNJP6130**

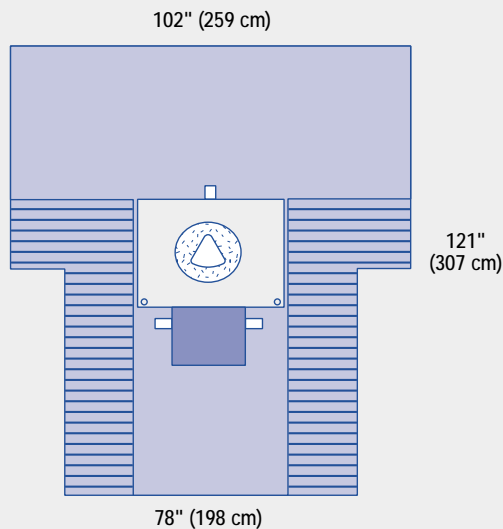
- 1 Mayo stand cover, 24" x 53" (61 x 135 cm)
- 1 C-Section drape with pouch and fenestrated incise
- 1 Baby blanket, 30" x 35" (76 x 89 cm)
- 1 Placenta basin
- 1 OB pad, 11" (28 cm)
- 1 Umbilical cord clamp
- 1 Ear/Ulcer syringe, 2oz.
- 1 Suture bag
- 1 Table cover, reinforced poly, 50" x 90" (127 x 229 cm)

*Packaging: 4/cs*



### C-Section Drape with Pouch

- Absorbent reinforcement, 20" x 15" (51 x 38 cm)
- Incise fenestration, 15" x 13" (38 x 33 cm)
- 360° fluid control pouch with formers
- Contoured armboard covers
- Velcro-style line holders



### C-Section Drape with Pouch and Fenestration

- Absorbent reinforcement, 20" x 15" (51 x 38 cm)
- 15" x 13" (38 x 33 cm) incise area with pear shaped fenestration, 7" x 7" (18 x 18 cm)
- 360° fluid control pouch with formers
- Contoured armboard covers
- Velcro-style line holders

### Proxima C-Section Drape with Pouch

DYNJP6101

Packaging: 7/cs

Non-Sterile Item Number: SPT-2630S

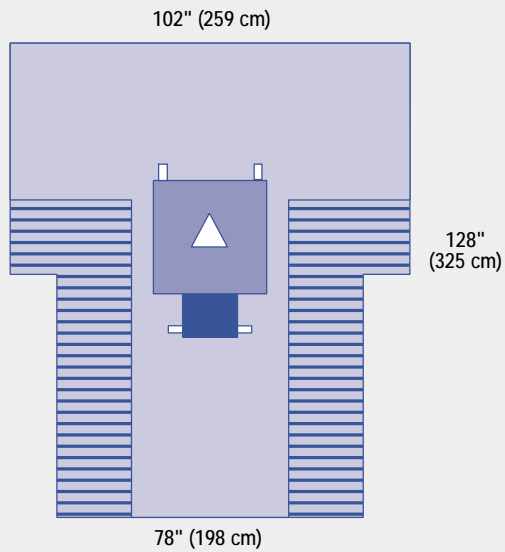
### Proxima C-Section Drape with Pouch and Fenestration

DYNJP6102

Packaging: 7/cs

Non-Sterile Item Number: SPT-2640S



**C-Section Drape without Pouch**

- Absorbent reinforcement, 29" x 38" (74 x 97 cm)
- Triangular fenestration, 11" x 10" x 10" (28 x 25 x 25 cm)
- Contoured armboard covers
- Velcro-style line holders

**Proxima C-Section Drape  
without Pouch**

\*

Non-Sterile Item Number: SPT-2650S

*\* not available sterile*





*Proxima*



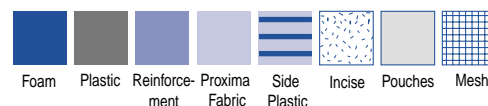
EENT/OPHTHALMOLOGY

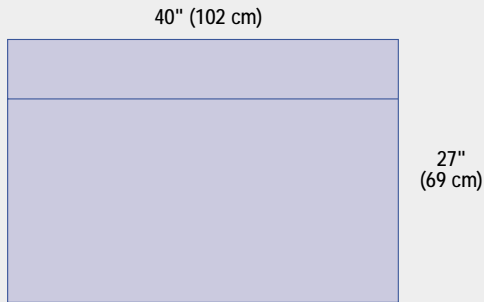
		Page Number	Case Pack	Cardinal Convertors	Molnlycke Barrier	Kimberly Clark	Maxxim Boundary
<b>Head and Neck Packs</b>							
DYNJP7000	EENT Pack I	117	8	9195	1292	---	ET048
DYNJP7010	EENT Pack II	117	6	9194	1219	88719/88711/88716	ET058
DYNJP7020	EENT Pack III	118	9	---	1218	---	---
DYNJP7030	EENT Pack IV	118	11	---	0175	---	---
<b>Head and Neck Drapes</b>							
DYNJP7001	Proxima EENT Split Drape	119	8	19442	1207	88358/88351	SP058
DYNJP7002	Proxima Thyroid Drape	119	10	29422	---	89255/89251	TH016A
DYNJP7003	Proxima Thyroid T-Drape	120	12	29522	0286	89258	TH026
DYNJP7008	Proxima Head Bar Drape	121	20	---	---	89431	HD048
DYNJP7009	Proxima Head Turban Drape	121	20	9556	1217	89438	HD058
<b>Ophthalmic Drapes</b>							
DYNJP7004	Proxima Eye Drape with Incise and Pouch	122	10	7444	1214	---	OS018
DYNJP7005	Proxima Eye Drape with Fenestrated Incise and Pouch	122	10	7445	0214	---	OS016
DYNJP7006	Proxima Full Body Eye Drape with Incise and Pouch	123	10	---	---	---	---
DYNJP7007	Proxima Full Body Eye Drape with Fenestrated Incise and Pouch	123	10	---	---	---	---
DYNJP7011	Proxima Ophthalmic Drape with Separate Incise	124	20	9526	---	89356	OS062
DYNJP7013	Proxima Basic Eye Drape	124	40	8441	S57565	---	OS010
<b>Neurosurgery Drapes</b>							
DYNJP10001	Proxima Craniotomy Drape with Pouch	125	8	9448	0291	89062	CR021
DYNJP10010	Proxima Universal Spine Drape	125	7	29418	---	---	---



Proxima Protection Products from Medline

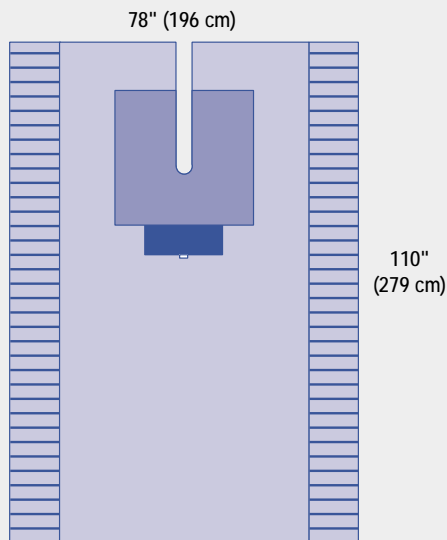
All products are sterile and latex free unless otherwise indicated.





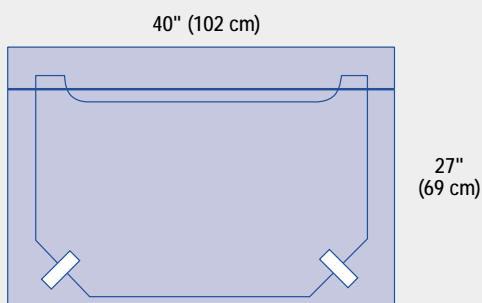
#### Head Bar Drape included in pack DYNJP7000

- Adhesive
- Drape available separately as DYNJP7008, sterile



#### EENT Split Drape included in packs DYNJP7000, DYNJP7010

- Absorbent reinforcement, 30" x 23" (76 x 58 cm)
- Split with adhesive, 3½" x 24" (9 x 61 cm)
- Instrument pad
- Velcro-style line holders
- Drape available separately as DYNJP7001, sterile



#### Head Turban Drape included in pack DYNJP7010

- Adhesive
- Turban
- Drape available separately as DYNJP7009, sterile

#### EENT Pack I

DYNJP7000

- 1 Gown, large, non-reinforced with towel in outer wrap
- 2 Hand towels
- 1 Mayo stand cover, 24" x 53" (61 x 135 cm)
- 1 Suture bag
- 1 EENT split drape, with adhesive
- 1 Head bar drape, with adhesive
- 1 Table cover, reinforced poly, 50" x 90" (127 x 229 cm)

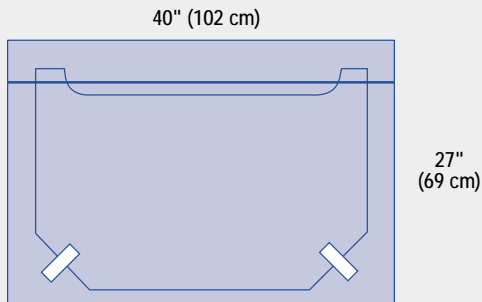
Packaging: 8/cs

#### EENT Pack II

DYNJP7010

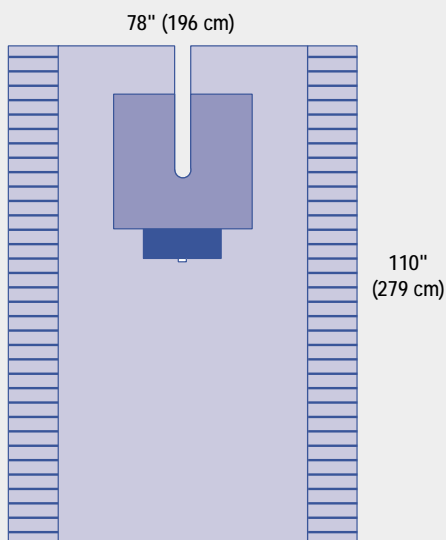
- 1 Gown, large, non-reinforced with towel in outer wrap
- 1 Hand towel
- 1 Gown, large, non-reinforced
- 1 Mayo stand cover, 24" x 53" (61 x 135 cm)
- 2 Utility drapes, with adhesive, 15" x 26" (38 x 66 cm)
- 1 Suture bag
- 1 EENT split drape, with adhesive
- 1 Head turban drape, with adhesive
- 1 Table cover, reinforced poly, 50" x 90" (127 x 229 cm)

Packaging: 6/cs



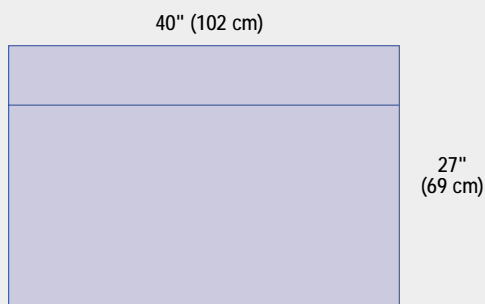
**Head Turban Drape included in pack  
DYNJP7020**

- Adhesive
- Turban
- Drape available separately as DYNJP7009, sterile



**EENT Split Drape included in packs  
DYNJP7020, DYNJP7030**

- Absorbent reinforcement, 30" x 23" (76 x 58 cm)
- Split with adhesive, 3½" x 24" (9 x 61 cm)
- Instrument pad
- Velcro-style line holders
- Drape available separately as DYNJP7001, sterile



**Head Bar Drape included in DYNJP7030**

- Adhesive
- Drape available separately as DYNJP7008, sterile

### EENT Pack III

DYNJP7020

- 1 Mayo stand cover, 24" x 53" (61 x 135 cm)
- 1 Suture bag
- 1 EENT split drape, with adhesive
- 1 Head turban drape, with adhesive
- 1 Table cover, reinforced poly, 50" x 90" (127 x 229 cm)

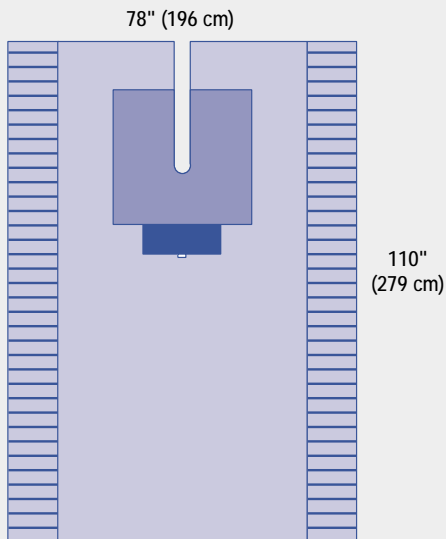
*Packaging: 9/cs*

### EENT Pack IV

DYNJP7030

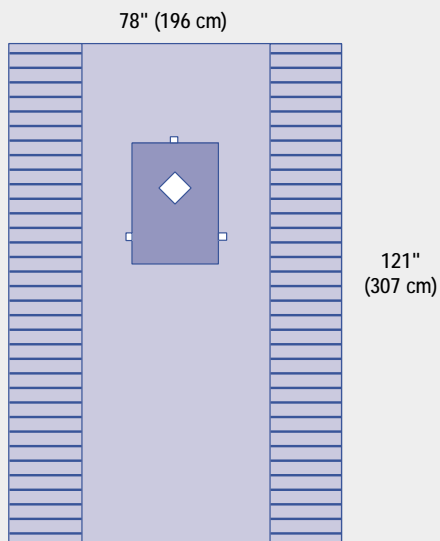
- 1 Mayo stand cover, 24" x 53" (61 x 135 cm)
- 1 Suture bag
- 1 EENT split drape, with adhesive
- 1 Head bar drape, with adhesive
- 1 Table cover, reinforced poly, 50" x 90" (127 x 229 cm)

*Packaging: 11/cs*



### EENT Split Drape

- Absorbent reinforcement, 30" x 23" (76 x 58 cm)
- Split with adhesive, 3½" x 24" (9 x 61 cm)
- Instrument pad
- Velcro-style line holder



### Thyroid Drape

- Absorbent reinforcement, 20" x 28" (51 x 71 cm)
- Diamond fenestration with adhesive, 5" x 5" (13 x 13 cm)
- Velcro-style line holders

### Proxima EENT Split Drape

DYNJP7001

*Packaging: 8/cs*

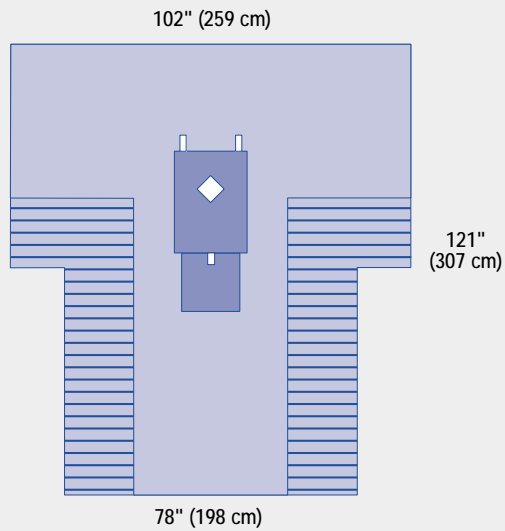
Non-Sterile Item Number: SPT-5590S

### Proxima Thyroid Drape

DYNJP7002

*Packaging: 10/cs*

Non-Sterile Item Number: SPT-2510S



### Thyroid T-Drape

- Absorbent reinforcement, 26" x 28" (66 x 71 cm)
- Diamond fenestration with adhesive, 5" x 5" (13 x 13 cm)
- Contoured armboard covers
- Velcro-style line holders
- Instrument pad, 9" x 18" (23 x 46 cm)

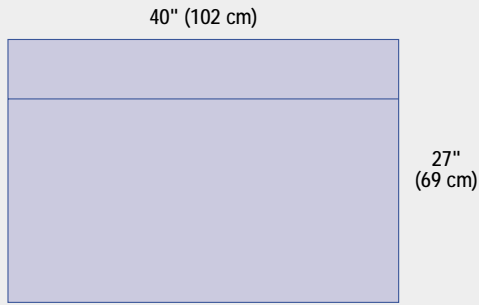
### Proxima Thyroid T-Drape

DYNJP7003

Packaging: 12/cs

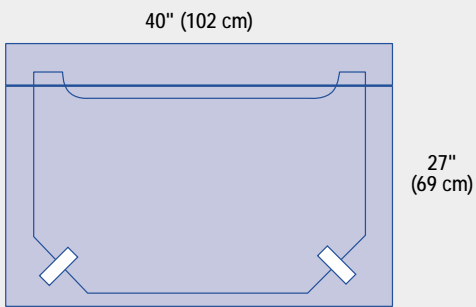
Non-Sterile Item Number: SPT-2520S





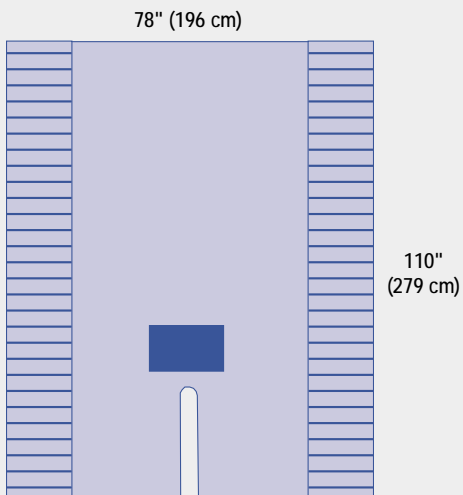
**Head/Bar Drape**

- Adhesive



**Head Turban Drape**

- Adhesive
- Turban



**EENT Split Drape, Unreinforced**

- Split w/Adhesive, 3½" x 24" (9 x 61 cm)
- Instrument Pad

---

**Proxima Head Bar Drape**

**DYNJP7008**

*Packaging: 20/cs*

Non-Sterile Item Number: SPT-5610S

---

**Proxima Head Turban Drape**

**DYNJP7009**

*Packaging: 20/cs*

Non-Sterile Item Number: SPT-5600S

---

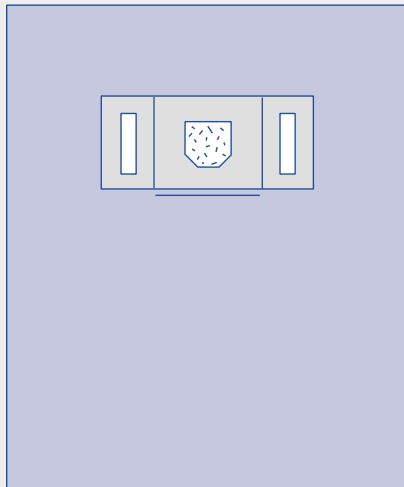
**Proxima EENT Split Drape, Unreinforced**

\*

Non-Sterile Item Number: SPT-5591S

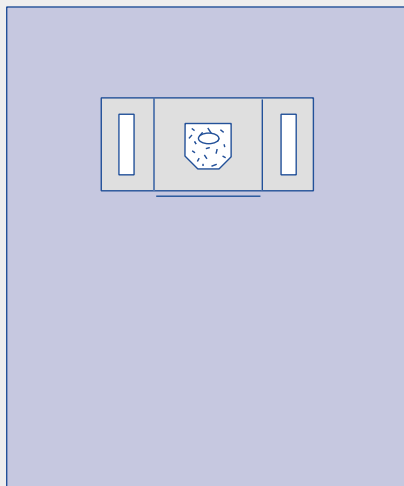
*\* not available sterile*

65" (165 cm)

70"  
(178 cm)**Eye Drape with Block Incise**

- Incise area: 4½" x 5" (11 x 13 cm)
- Two fluid collection pouches
- Malleable breather bar

65" (165 cm)

70"  
(178 cm)**Eye Drape with Fenestrated Incise**

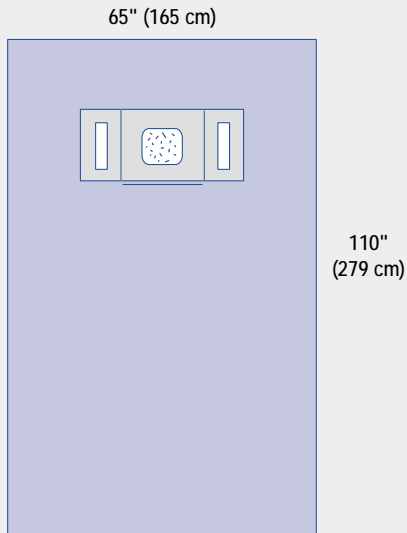
- Incise size: 4½" x 5" (11 x 13 cm)
- Oval fenestration size: 1½" x 2½" (4 x 6 cm)
- Two fluid collection pouches
- Malleable breather bar

**Proxima Eye Drape with Incise and Pouch****DYNJP7004***Packaging: 10/cs*

Non-Sterile Item Number: 29676

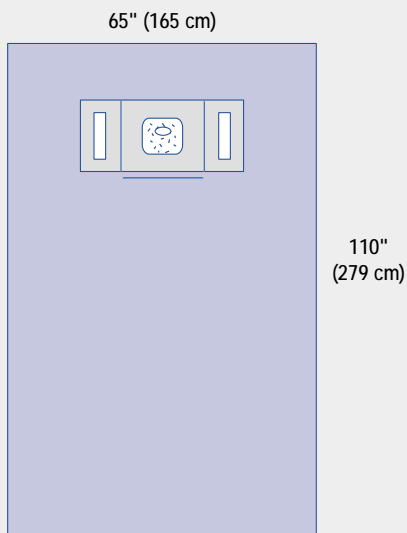
**Proxima Eye Drape with Fenestrated Incise and Pouch****DYNJP7005***Packaging: 10/cs*

Non-Sterile Item Number: 29677



#### Eye Drape with Block Incise

- Incise area: 4" x 4" (10 x 10 cm)
- Two fluid collection pouches
- Malleable breather bar



#### Eye Drape with Fenestrated Incise

- Incise size: 4" x 4" (10 x 10 cm)
- Oval fenestration size: 1½" x 2½" (4 x 6 cm)
- Two fluid collection pouches
- Malleable breather bar

#### Proxima Full Body Eye Drape with Incise and Pouch

DYNJP7006

*Packaging: 10/cs*

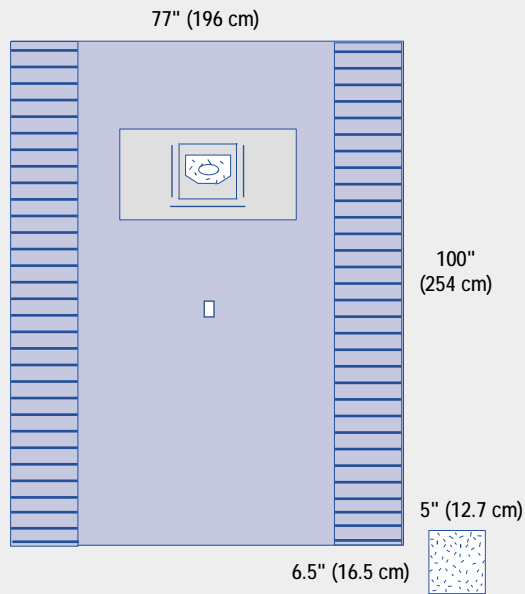
Non-Sterile Item Number: 30023

#### Proxima Full Body Eye Drape with Fenestrated Incise and Pouch

DYNJP7007

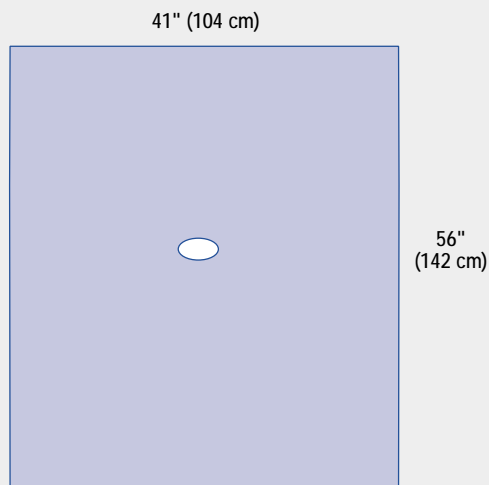
*Packaging: 10/cs*

Non-Sterile Item Number: 30024



### Ophthalmic Drape

- Apertured incise: 1½" x 2½" (4 x 6 cm)
- Two fluid collection pouches
- Malleable breather bar
- Velcro-style line holder
- Separate 5" x 6½" incise sheet (13 x 17 cm)



### Basic Eye Drape

- Oval fenestration, 2½" x 1½" (6 x 4 cm) with tape

## Proxima Ophthalmic Drape with Separate Incise

DYNJP7011

Packaging: 20/cs

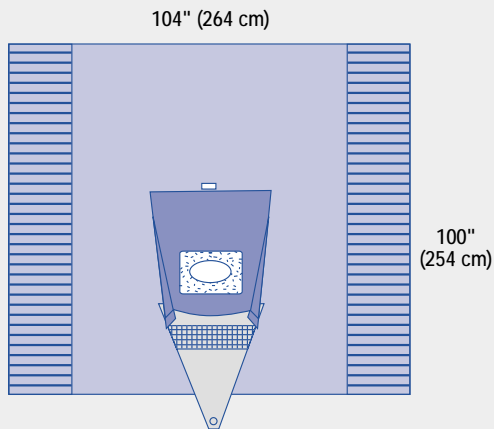
Non-Sterile Item Number: SPT-7011S

## Proxima Basic Eye Drape

DYNJP7013

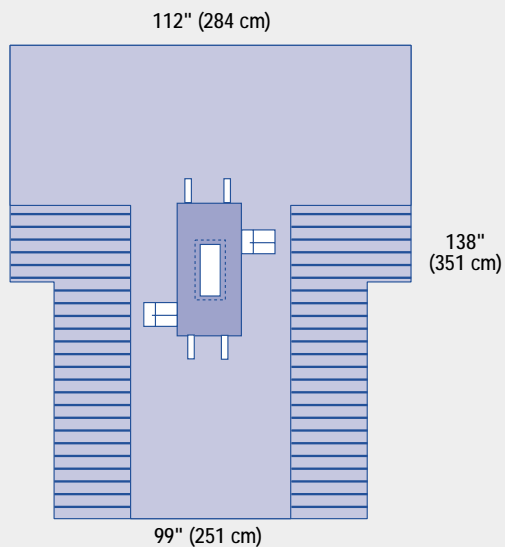
Packaging: 40/cs

Non-Sterile Item Number: SPT-7013S



### Craniotomy Drape with Fluid Collection Pouch

- Absorbent reinforcement, 18" x 28" (46 x 71 cm)
- Fenestration with incise, 11" x 8", rounded (28 x 20 cm)
- Attached fluid control pouch with screen and port
- Velcro-style line holders



### Universal Spine Drape

- 18" x 38" absorbent reinforcement (46 x 97 cm)
- 4" x 12" fenestration with adhesive (10 x 30 cm)
- Two instrument pouches
- Velcro-style line holders

### Proxima Craniotomy Drape with Pouch

DYNJP10001

Packaging: 8/cs

Non-Sterile Item Number: SPT-10001S

### Proxima Universal Spine Drape

DYNJP10010

Packaging: 7/cs

Non-Sterile Item Number: SPT-10010S





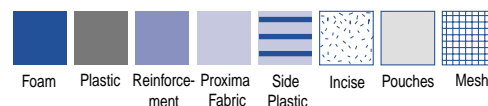
# ORTHOPEDICS

		Page Number	Case Pack	Cardinal Convertors	Molnlycke Barrier	Kimberly Clark	Maxxim Boundary
<b>Extremity Packs</b>							
DYNJP8000	Extremity Pack I	133	5	29188	0172	88474	OR026
DYNJP8010	Extremity Pack II	134	5	---	---	88461/88431	OR028
DYNJP8020	Minor Extremity Pack	134	6	---	1262	---	OR028
DYNJP8030	Extremity Pack III	135	8	---	1266	88471	OR034
DYNJP8040	Upper Extremity Pack	136	6	---	0262	---	OR031
DYNJP8000HD	Extremity Pack I HD	133	5	---	0172	---	---
DYNJP8030HD	Extremity Pack III HD	135	8	---	---	88471	---
<b>Arthroscopy Packs</b>							
DYNJP8100	Arthroscopy Pack I	143	6	9185/9187	0263	88481/88488	OR063/OR085
DYNJP8110	Arthroscopy Pack II	143	6	29180/29186	1263/0295	88439/88438	OR037/OR036
DYNJP8120	Arthroscopy Plus Pack	144	3	28200-600	---	---	---
DYNJP8130	Arthroscopy Pack III	144	8	---	0174	---	---
DYNJP8140	Arthroscopy Pack IV	146	8	---	0171	88434	---
DYNJP8130HD	Arthroscopy Pack III HD	145	8	---	0174	---	---
DYNJP8150HD	Arthroscopy Pack IV HD	146	6	9197	---	88481	SM002A
<b>Hip Packs</b>							
DYNJP8200	Hip Pack I	151	6	29187	---	---	---
DYNJP8210	Hip Pack II	152	6	---	1267	88451/88453	OR046
DYNJP8220	Hip Pack III	153	4	---	1291	---	OR044
DYNJP8230	Hip Pack IV	154	6	---	0176	---	---
DYNJP8240	Hip Pack V	155	3	---	0202	88452	OR067
DYNJP8200HD	Hip Pack I HD	151	6	---	---	---	---
DYNJP8210HD	Hip Pack II HD	152	6	---	1267	88453	OR046
DYNJP8220HD	Hip Pack III HD	153	4	---	---	---	OR044
DYNJP8230HD	Hip Pack IV HD	154	6	---	0176	---	---
DYNJP8240HD	Hip Pack V HD	155	3	---	0202	88452	OR067
<b>General Orthopedics Packs</b>							
DYNJP8300	Ortho Pack I	161	5	29182/29183	1264	88311	OR082
DYNJP8310	Ortho Pack II	161	6	29184	---	88321	OR084
DYNJP8320	Ortho Pack III	162	4	29181	1290	88411/88412	OR081/OR082
DYNJP8330	Ortho Pack IV	163	5	---	0179	---	---
DYNJP8320HD	Ortho Pack III HD	162	4	---	---	88412	---
DYNJP8330HD	Ortho Pack IV HD	163	5	---	0179	---	---



Proxima Protection Products from Medline

All products are sterile and latex free unless otherwise indicated.





		<u>Page Number</u>	<u>Case Pack</u>	<u>Cardinal Convertors</u>	<u>Molnlycke Barrier</u>	<u>Kimberly Clark</u>	<u>Maxxim Boundary</u>
<b>Shoulder Packs</b>							
DYNJP8400	Shoulder Pack I	169	3	9183	0296	88492	OR019
DYNJP8401	Shoulder Drape Pack with Pouch	169	10	29367	0295	89492	---
DYNJP8410	Shoulder Pack II	170	3	29160	1216	88491	OR018
DYNJP8411	Shoulder Drape Pack	170	8	29365	---	89274	---
DYNJP8420	Shoulder Pack III	171	5	---	0177	---	---
DYNJP8421	Shoulder Drape Pack II	171	8	---	---	---	---
DYNJP8430	Beach Chair Shoulder Pack	173	3	---	---	88108	---
DYNJP8440	Shoulder Pack IV	172	3	---	---	---	---
DYNJP8441	Shoulder Drape Pack III	172	10	---	---	---	---
DYNJP8450	Shoulder Pack V	173	3	---	---	---	OR019
DYNJP8410HD	Shoulder Pack II HD	170	3	---	---	88491	---
<b>Orthopedic Drapes</b>							
DYNJP8101	Proxima Arthroscopy Drape with Fluid Control Pouch	148	12	9413/9414	0278	89265	AS011
DYNJP8102	Proxima Arthroscopy T-Drape with Fluid Control Pouch	148	12	59413	0278	89267	AS011
DYNJP8002	Proxima Extremity Drape Standard	137, 147	12	29414/29415	0270/1261	89276/89279	EX015/EX016
DYNJP8003	Proxima Extremity T-Drape	137	6	29405	1271	89016/89278	EX026
DYNJP8004	Proxima Bilateral Limb Drape	138	12	29416	1265	89291	BL011
DYNJP8005	Proxima Hand Drape	139	18	29419	0261	89271/89272	HA015
DYNJP8006	Proxima Bilateral Limb T-Drape	138	8	29417	---	---	---
DYNJP8201	Proxima Hip Drape with Pouches	156	5	29429	0204	89345	HP041
DYNJP8202	Proxima Hip Drape	156	12	29430	1260	89346	HP011
DYNJP2498	Proxima Split Drape (with Adhesive)	165, (174)	10	29436	1298	89321/89301	SP018
DYNJP4002	Proxima Top Drape	164	14	29352	0203	89381/89348	TD020
DYNJP8301	Proxima Ortho Split Drape	164, 174	10	29433/29440	1298	89275/89347	SP031
DYNJP8405	Proxima Shoulder Split Drape with Pouch and Adhesive	175	8	---	---	---	SP090
DYNJP8412	Proxima Beach Chair Shoulder Drape	168, 175	5	29369	0294	89070/89066	---
DYNJP2499	Proxima Impervious U-Drape	139, 157, 176	24	8474/8476	0275	89331	UD015
DYNJP2430	Proxima Large Impervious U-Drape	140, 157, 166, 176	22	8475	---	---	---
DYNJSD1067	Proxima Shoulder U-Pouch	177	24	---	5217	---	FP090

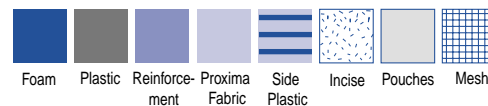


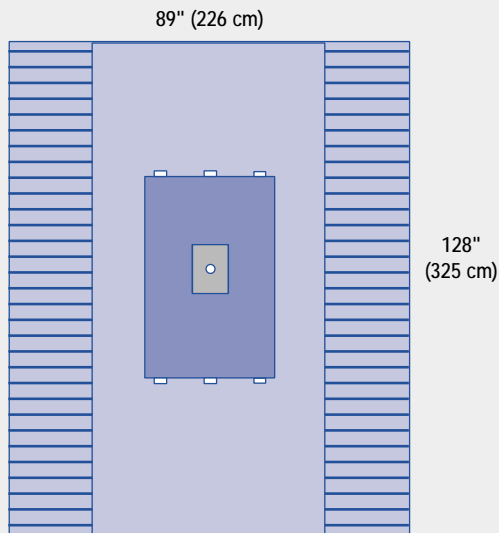


**Proxima**

**EXTREMITY**

		<u>Page Number</u>	<u>Case Pack</u>	<u>Cardinal Convertors</u>	<u>Molnlycke Barrier</u>	<u>Kimberly Clark</u>	<u>Maxxim Boundary</u>
<b>Extremity Packs</b>							
DYNJP8000	Extremity Pack I	133	5	29188	0172	88474	OR026
DYNJP8010	Extremity Pack II	134	5	---	---	88461	OR028
DYNJP8020	Minor Extremity Pack	134	6	---	1262	---	OR029
DYNJP8030	Extremity Pack III	135	8	---	1266	88471	OR034
DYNJP8040	Upper Extremity Pack	136	6	---	0262	---	OR031
DYNJP8000HD	Extremity Pack I HD	133	5	---	0172	---	---
DYNJP8030HD	Extremity Pack III HD	135	8	---	---	88471	---
<b>Extremity Drapes</b>							
DYNJP8002	Proxima Extremity Drape Standard	137	12	29414/29415	0270/1261	89276/89279	EX015/EX016
DYNJP8003	Proxima Extremity T-Drape	137	6	29405	1271	89016/89278	EX026
DYNJP8004	Proxima Bilateral Limb Drape	138	12	29416	1265	89291	BL011
DYNJP8005	Proxima Hand Drape	139	18	29419	0261	89271/89272	HA015
DYNJP8006	Proxima Bilateral Limb T-Drape	138	8	29417	---	---	---
DYNJP2499	Proxima Impervious U-Drape	139	24	8474/8476	0275	89331	UD015
DYNJP2430	Proxima Large Impervious U-Drape	140	22	8475	---	---	---
<b>Stockinettes</b>							
NON22520	Impervious Stockinette 6" x 30" (15 x 76 cm)	142	24	1584	0272	92514	IS010
NON22530	Impervious Stockinette 9" x 36" (23 x 91 cm)	142	15	1585/1586	0273	89811/92515	IS015
NON22535	Impervious Stockinette 12" x 48" (30 x 122 cm)	142	10	1587	0274	89821	IS020





**Extremity Drape included in packs  
DYNJP8000, DYNJP8000HD**

- Absorbent reinforcement, 23" x 55" (58 x 140 cm)
- 2½" (6 cm) circular elastic fenestration
- Velcro-style line holders
- Drape sold separately as DYNJP8002, sterile

---

**Extremity Pack I**

**DYNJP8000**

- 1 Mayo stand cover, 24" x 53" (61 x 135 cm)
- 1 Plastic drape, fan folded, 44" x 65" (112 x 165 cm)
- 4 Utility drapes, with adhesive, 15" x 26" (38 x 66 cm)
- 1 Suture bag
- 1 Extremity drape
- 1 Table cover, reinforced poly, 50" x 90" (127 x 229 cm)

*Packaging: 5/cs*

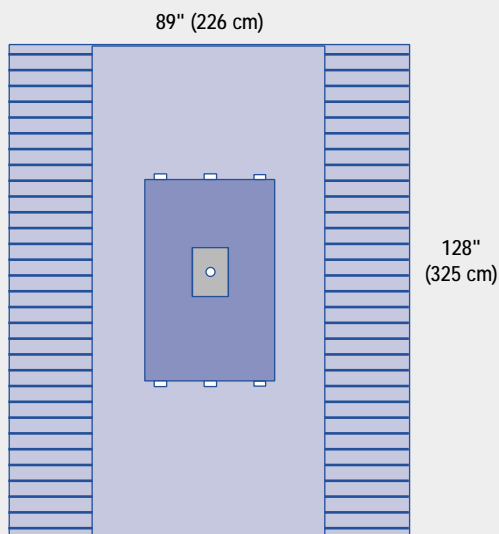
---

**Extremity Pack I HD**

**DYNJP8000HD**

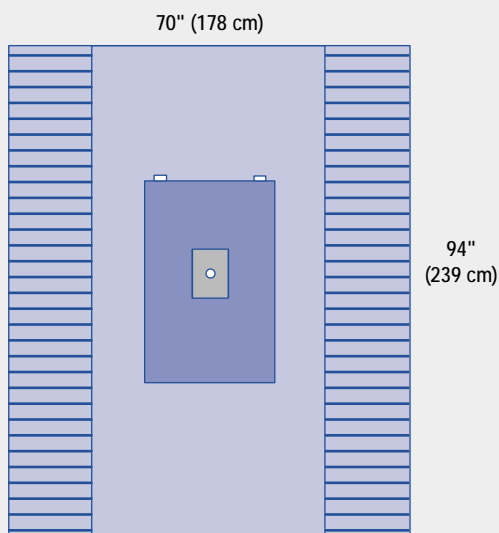
- 1 Mayo stand cover, 24" x 53" (61 x 135 cm)
- 1 Plastic drape, fan folded, 44" x 65"
- 4 Utility drapes, with adhesive, 15" x 26" (38 x 66 cm)
- 1 Suture bag
- 1 Extremity drape
- 1 Table cover, heavy duty, 50" x 90" (127 x 229 cm)

*Packaging: 5/cs*



#### Extremity Drape included in pack DYNJP8010

- Absorbent reinforcement, 23" x 55" (58 x 140 cm)
- 2½" (6 cm) circular elastic fenestration
- Velcro-style line holders
- Drape sold separately as DYNJP8002, sterile



#### Minor Extremity Drape included in pack DYNJP8020

- Absorbent reinforcement, 40" x 20" (102 x 51 cm)
- 2¾" (7 cm) circular elastic fenestration
- Velcro-style line holders

### Extremity Pack II

DYNJP8010

- 1 Gown, large, non-reinforced with towel in outer wrap
- 1 Mayo stand cover, 24" x 53" (61 x 135 cm)
- 1 Impervious U-drape with adhesive, 54" x 76" (137 x 193 cm)
- 1 ¾ drape, 53" x 77" (135 x 196 cm)
- 2 Utility drapes, with adhesive, 15" x 26" (38 x 66 cm)
- 1 Suture bag
- 1 Extremity drape
- 1 Table cover, reinforced poly, 50" x 90" (127 x 229 cm)

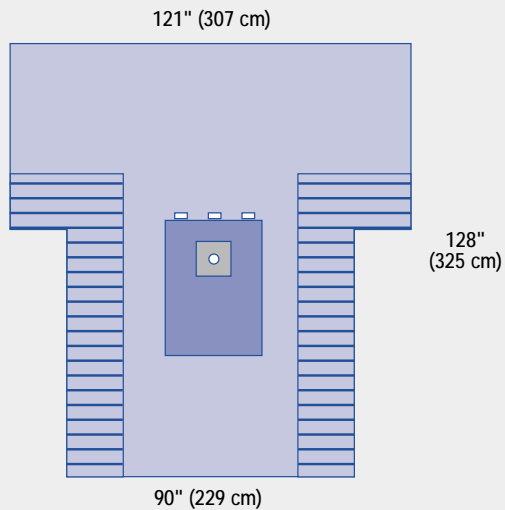
Packaging: 5/cs

### Minor Extremity Pack

DYNJP8020

- 1 Gown, large, non-reinforced with towel in outer wrap
- 1 Hand towel
- 1 Gown, large, non-reinforced
- 1 Mayo stand cover, 24" x 53" (61 x 135 cm)
- 1 Plastic drape, 44" x 65", fan folded (112 x 165 cm)
- 1 ¾ drape, 53" x 77" (135 x 196 cm)
- 1 Utility drape with adhesive, 15" x 26" (38 x 66 cm)
- 1 Suture bag
- 1 Minor extremity drape
- 1 Table cover, reinforced poly, 50" x 90" (127 x 229 cm)

Packaging: 6/cs



**Extremity T-Drape included in packs  
DYNJP8030, DYNJP8030HD**

- Absorbent reinforcement, 29" x 44" (74 x 112 cm)
- 2½" (6 cm) circular elastic fenestration
- Contoured armboard covers
- Velcro-style line holders
- Drape sold separately as DYNJP8003, sterile

**Extremity Pack III**

**DYNJP8030**

- 1 Mayo stand cover, 24" x 53" (61 x 135 cm)
- 1 Impervious U-drape, 54" x 76" (137 x 193 cm)
- 1 Suture bag
- 1 Extremity T-drape
- 1 Table cover, reinforced poly, 50" x 90" (127 x 229 cm)

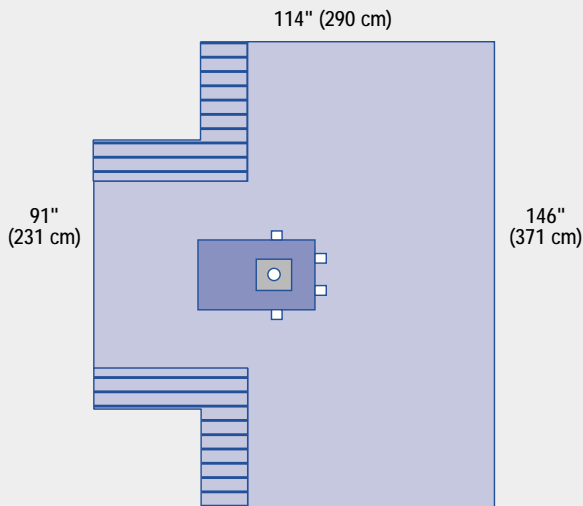
*Packaging: 8/cs*

**Extremity Pack III HD**

**DYNJP8030HD**

- 1 Mayo stand cover, 24" x 53" (61 x 135 cm)
- 1 Impervious U-drape, 54" x 76" (137 x 193 cm)
- 1 Suture bag
- 1 Extremity T-drape
- 1 Table cover, heavy duty, 50" x 90" (127 x 229 cm)

*Packaging: 8/cs*



#### Hand Drape Included in Pack DYNJP8040

- Absorbent reinforcement, 20" x 33" (51 x 84 cm)
- 2" (5 cm) circular elastic fenestration
- Contoured hand table extension
- Velcro-style line holders
- Drape sold separately as DYNJP8005, sterile

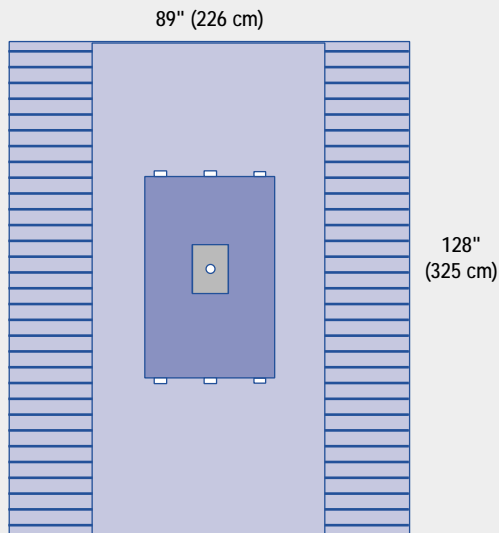
### Upper Extremity Pack

DYNJP8040

- 2 Hand towels
- 2 Gowns, X-Large, non-reinforced
- 1 Mayo stand cover, 24" x 53" (61 x 135 cm)
- 1 Plastic drape, 44" x 65", fan folded (112 x 165 cm)
- 1 Suture bag
- 1 Hand drape
- 1 Table cover, reinforced poly, 50" x 90" (127 x 229 cm)

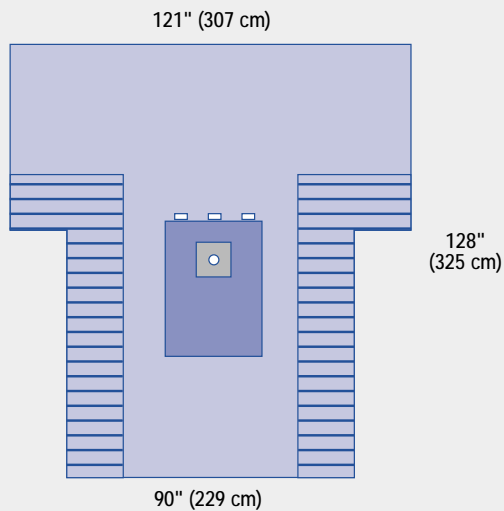
Packaging: 6/cs





### Extremity Drape

- Absorbent reinforcement, 23" x 55" (58 x 140 cm)
- 2½" (6 cm) circular elastic fenestration
- Velcro-style line holders



### Extremity T-Drape

- Absorbent reinforcement, 29" x 44" (74 x 112 cm)
- 2½" (6 cm) circular elastic fenestration
- Contoured armboard covers
- Velcro-style line holders

### Proxima Extremity Drape Standard

DYNJP8002

*Packaging: 12/cs*

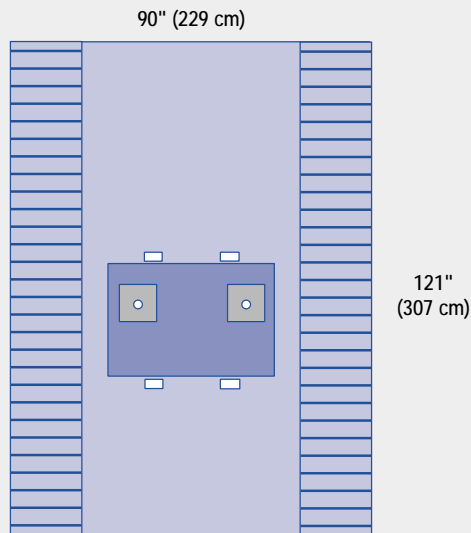
Non-Sterile Item Number: SPT-2550S

### Proxima Extremity T-Drape

DYNJP8003

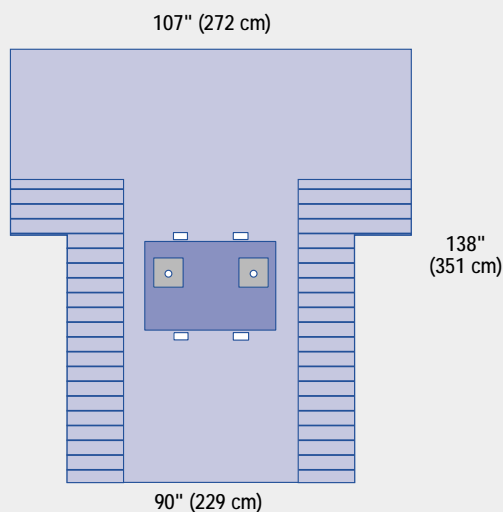
*Packaging: 6/cs*

Non-Sterile Item Number: SPT-2555S



### Bilateral Limb Drape

- Absorbent reinforcement, 36" x 33" (91 x 84 cm)
- 2½" (6 cm) dual elastic fenestrations
- Velcro-style line holders



### Bilateral Limb T-Drape

- Absorbent reinforcement, 40" x 55" (102 x 140 cm)
- Dual 2½" (6 cm) elastic fenestrations
- Contoured armboard covers
- Velcro-style line holders

### Proxima Bilateral Limb Drape

DYNJP8004

Packaging: 12/cs

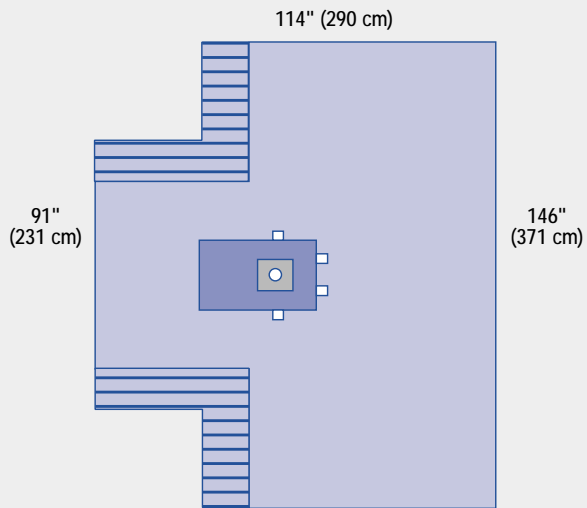
Non-Sterile Item Number: SPT-8620S

### Proxima Bilateral Limb T-Drape

DYNJP8006

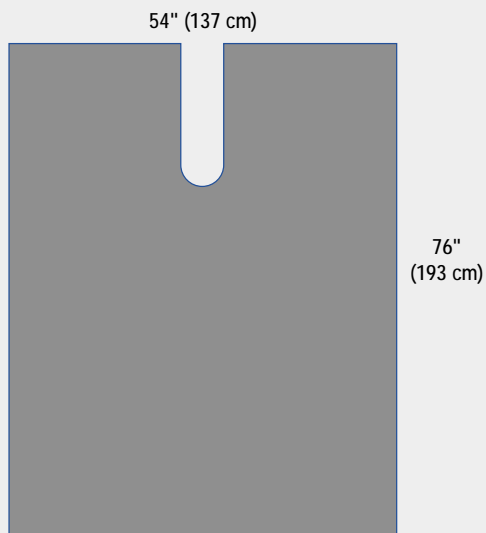
Packaging: 8/cs

Non-Sterile Item Number: SPT-8630S



### Hand Drape

- Absorbent reinforcement, 20" x 33" (51 x 84 cm)
- 2" (5 cm) circular elastic fenestration
- Contoured hand table extension
- Velcro-style line holders



### Impervious U-Drape

- Split with adhesive, 6" x 24" (15 x 61 cm)

### Proxima Hand Drape

DYNJP8005

Packaging: 18/cs

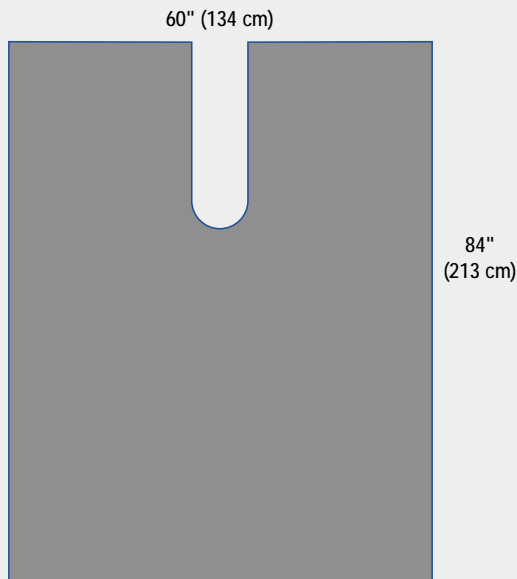
Non-Sterile Item Number: SPT-8610S

### Proxima Impervious U-Drape

DYNJP2499

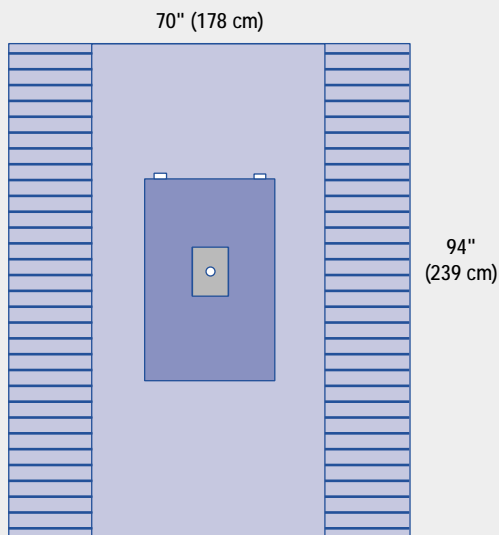
Packaging: 24/cs

Non-Sterile Item Number: 12139



### Large Impervious U-Drape

- Split with adhesive, 8" x 30" (20 x 76 cm)



### Minor Extremity Drape

- Absorbent reinforcement, 40" x 20" (102 x 51 cm)
- 2 1/4" (5.7 cm) circular elastic fenestration
- Velcro-style line holders

## Proxima Large Impervious U-Drape DYNJP2430

Packaging: 22/cs

Non-Sterile Item Number: SPT-2430S

## Proxima Minor Extremity Drape \*

Non-Sterile Item Number: SPT-2570S

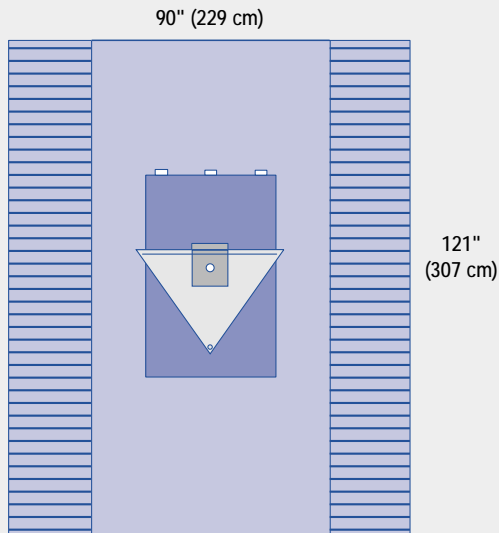
\* not available sterile

The MEDLINE logo features a stylized white starburst or compass rose icon above the word "MEDLINE" in a bold, white, sans-serif font.The Proxima logo consists of the word "Proxima" in a blue, sans-serif font, with a blue swoosh underline that curves under the letters.

**ARTHROSCOPY**

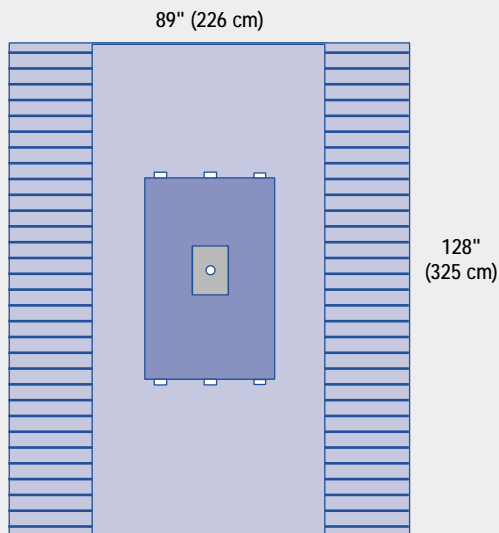
		<u>Page Number</u>	<u>Case Pack</u>	<u>Cardinal Convertors</u>	<u>Molnlycke Barrier</u>	<u>Kimberly Clark</u>	<u>Maxxim Boundary</u>
<b>Arthroscopy Packs</b>							
DYNJP8100	Arthroscopy Pack I	143	6	9185/9187	0263	88481/88488	OR063/OR085
DYNJP8110	Arthroscopy Pack II	143	6	29180/29186	1263/0295	88439/88438	OR037/OR036
DYNJP8120	Arthroscopy Plus Pack	144	3	28200-600	—	—	—
DYNJP8130	Arthroscopy Pack III	144	8	—	0174	—	—
DYNJP8140	Arthroscopy Pack IV	146	8	—	0171	88434	—
DYNJP8130HD	Arthroscopy Pack III HD	145	8	—	0174	—	—
DYNJP8150HD	Arthroscopy Pack IV HD	146	6	9197	—	88481	SM002A
<b>Arthroscopy Drapes</b>							
DYNJP8101	Proxima Arthroscopy Drape with Fluid Control Pouch	148	12	9413/9414	0278	89265	AS011
DYNJP8102	Proxima Arthroscopy T-Drape with Fluid Control Pouch	148	12	59413	0278	89267	AS011
DYNJP8002	Proxima Extremity Drape Standard	147	12	29414/29415	0270/1261	89276/89279	EX015/EX016
<b>Stockinettes</b>							
NON22520	Impervious Stockinette 6" x 30" (15 x 76 cm)	150	24	1584	0272	92514	IS010
NON22530	Impervious Stockinette 9" x 36" (23 x 91 cm)	150	15	1585/1586	0273	89811/92515	IS015
NON22535	Impervious Stockinette 12" x 48" (30 x 122 cm)	150	10	1587	0274	89821	IS020





#### Arthroscopy Drape included in pack DYNJP8100

- Poly-foam backed absorbent reinforcement, 29" x 37" (74 x 94 cm)
- 2½" (6 cm) dual circular elastic fenestrations
- Attached fluid control pouch with port
- Malleable wire former
- Velcro-style line holders
- Drape sold separately as DYNJP8101, sterile



#### Extremity Drape included in pack DYNJP8110

- Absorbent reinforcement, 23" x 55" (58 x 140 cm)
- 2½" circular elastic fenestration (6 cm)
- Velcro-style line holders
- Drape sold separately as DYNJP8002, sterile

#### Arthroscopy Pack I

DYNJP8100

- 1 Gown, large, non-reinforced with towel in outer wrap
- 1 Hand towel
- 1 Gown, X-Large, poly reinforced
- 1 Mayo stand cover, 24" x 53" (61 x 135 cm)
- 1 Impervious prep U-drape, 47" x 51" (119 x 130 cm)
- 1 Impervious U-drape with tape, 54" x 76" (137 x 193 cm)
- 1 Impervious stockinette, 12" x 48" (30 x 122 cm)
- 4 Drape tape strips
- 1 Suture bag
- 1 Arthroscopy drape with fluid collection pouch
- 1 Table cover, reinforced poly, 50" x 90" (127 x 229 cm)

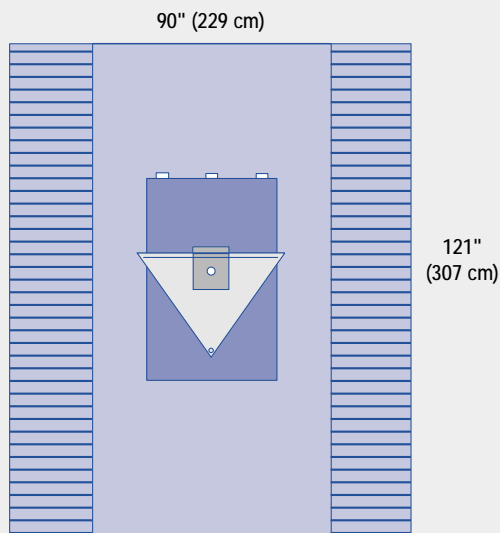
Packaging: 6/cs

#### Arthroscopy Pack II

DYNJP8110

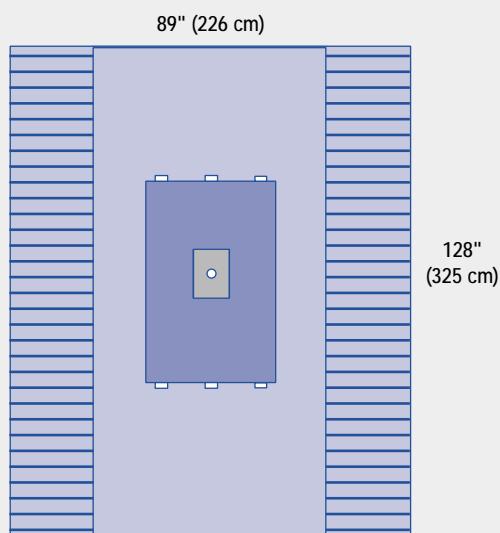
- 1 Hand towel
- 1 Gown, XX-Large, poly reinforced
- 1 Mayo stand cover, 24" x 53" (61 x 135 cm)
- 1 Impervious U-drape with adhesive, 54" x 76" (137 x 193 cm)
- 1 Impervious stockinette, 12" x 48" (30 x 122 cm)
- 4 Drape tape strips
- 1 Suture bag
- 1 Extremity drape
- 1 Table cover, reinforced poly, 50" x 90" (127 x 229 cm)

Packaging: 6/cs



#### Arthroscopy Drape included in pack DYNJP8120

- Poly-backed absorbent reinforcement, 29" x 37" (74 x 94 cm)
- 2½" (6 cm) dual circular elastic fenestrations
- Attached fluid control pouch with port
- Malleable wire former
- Velcro-style line holders
- Drape sold separately as DYNJP8101, sterile



#### Extremity Drape included in pack DYNJP8130

- Absorbent reinforcement, 23" x 55" (58 x 140 cm)
- 2½" (6 cm) circular elastic fenestration
- Velcro-style line holders
- Drape sold separately as DYNJP8002, sterile

#### Arthroscopy Plus Pack

DYNJP8120

- 1 Gown, large, non-reinforced with towel in outer wrap
- 2 O.R. towels
- 2 Gowns, Prevention, X-Large, breathable impervious
- 1 Suction tube, 12' x ¼" (366 x .64 cm)
- 3 Hand towels
- 1 Mayo stand cover, 24" x 53" (61 x 135 cm)
- 1 Impervious U-drape with adhesive, 54" x 76" (137 x 193 cm)
- 1 Arthroscopy drape with fluid collection pouch
- 1 Elastic bandage, 6" (15 cm)
- 1 Blade, No. 11
- 1 Bowl, 32oz., graduated
- 4 Drape tape strips
- 5 O.R. towels
- 1 Impervious stockinette, 9" x 48" (23 x 122 cm)
- 1 Mayo tray
- 1 Table cover, reinforced poly, 60" x 90" (152 x 229 cm)

Packaging: 3/cs

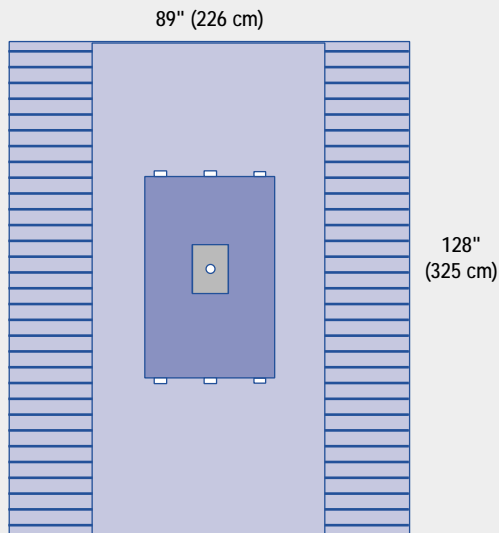
#### Arthroscopy Pack III

DYNJP8130

- 1 Mayo stand cover, 24" x 53" (61 x 135 cm)
- 1 Impervious U-drape with adhesive, 54" x 76" (137 x 193 cm)
- 1 Impervious Prep U-drape, 47" x 51" (119 x 130 cm)
- 1 Drape tape strip
- 1 Suture bag
- 1 Extremity drape
- 1 Impervious stockinette, 12" x 48" (30 x 122 cm)
- 1 Table cover, reinforced poly, 50" x 90" (127 x 229 cm)

Packaging: 8/cs





**Extremity Drape included in pack  
DYNJP8130HD**

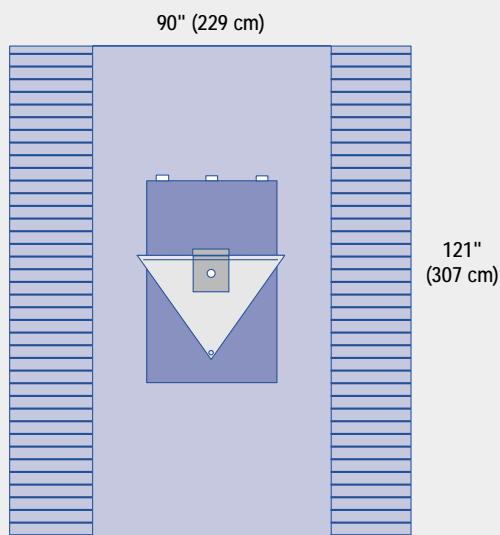
- Extremity reinforcement, 23" x 55" (58 x 140 cm)
- 2½" (6 cm) circular elastic fenestration
- Velcro-style line holders
- Drape sold separately as DYNJP8002, sterile

**Arthroscopy Pack III HD**

**DYNJP8130HD**

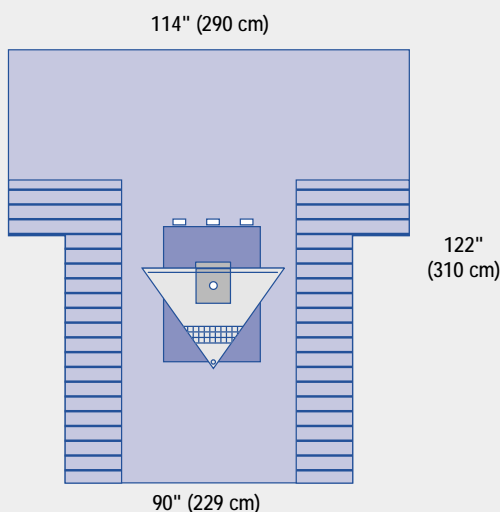
- 1 Mayo stand cover, 24" x 53" (61 x 135 cm)
- 1 Impervious U-drape with adhesive, 54" x 76" (137 x 93 cm)
- 1 Impervious Prep U-drape, 47" x 51" (119 x 130 cm)
- 1 Drape tape strip
- 1 Suture bag
- 1 Extremity drape
- 1 Impervious stockinette, 12" x 48" (30 x 122 cm)
- 1 Table cover, heavy duty, 50" x 90" (127 x 229 cm)

*Packaging: 8/cs*



#### Arthroscopy Drape included in pack DYNJP8140

- Poly backed absorbent reinforcement, 29" x 37" (74 x 94 cm)
- 2½" (6 cm) dual circular elastic fenestrations
- Attached fluid control pouch with port
- Malleable wire former
- Velcro-style line holders
- Drape also sold separately as DYNJP8101, sterile



#### Arthroscopy T-Drape included in pack DYNJP8150HD

- Poly backed absorbent reinforcement, 29" x 36" (74 x 91 cm)
- 2½" (6 cm) dual circular elastic fenestrations
- Attached fluid control pouch with filter and port
- Malleable wire former
- Velcro-style line holders
- Drape also sold separately as DYNJP8102, sterile

#### Arthroscopy Pack IV

DYNJP8140

- 1 Mayo stand cover, 24" x 53" (61 x 135 cm)
- 1 Impervious U-drape with adhesive, 54" x 76" (137 x 193 cm)
- 1 Prep U-drape with adhesive, 47" x 51" (119 x 130 cm)
- 1 Arthroscopy drape with fluid collection pouch
- 3 Drape tape strips
- 1 Impervious stockinette, 12" x 48" (30 x 122 cm)
- 1 Suture bag
- 1 Table cover, reinforced poly, 50" x 90" (127 x 229 cm)

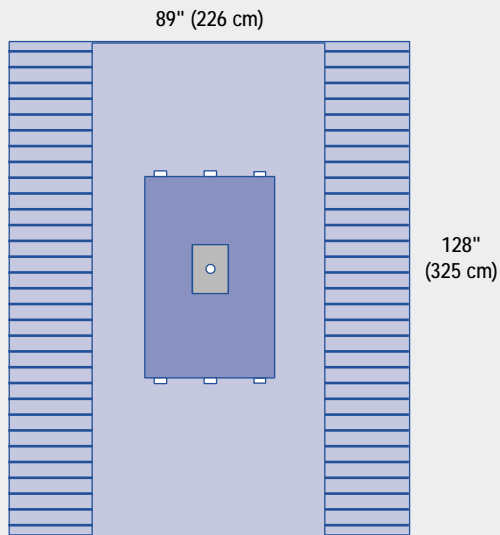
Packaging: 8/cs

#### Arthroscopy Pack V HD

DYNJP8150HD

- 1 Gown, Aurora, X-Large, non-reinforced with towel in outer wrap
- 2 Gowns, Prevention, X-Large
- 1 Mayo stand cover, 24" x 53" (61 x 135 cm)
- 1 Impervious U-drape with adhesive, 54" x 76" (137 x 193 cm)
- 1 Impervious stockinette, 12" x 48" (30 x 122 cm)
- 1 Suture bag
- 1 Arthroscopy T-Drape with pouch
- 1 Table cover, heavy duty, 60" x 90" (152 x 229 cm)

Packaging: 6/cs



### Extremity Drape

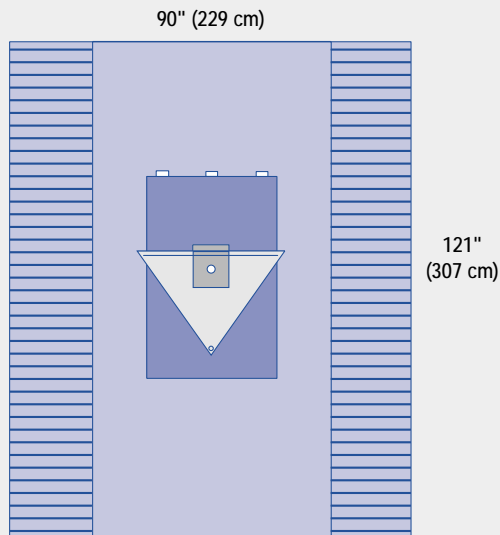
- Absorbent reinforcement, 23" x 55" (58 x 140 cm)
- 2 1/2" (6 cm) circular elastic fenestration
- Velcro-style line holders

### Proxima Extremity Drape Standard

DYNJP8002

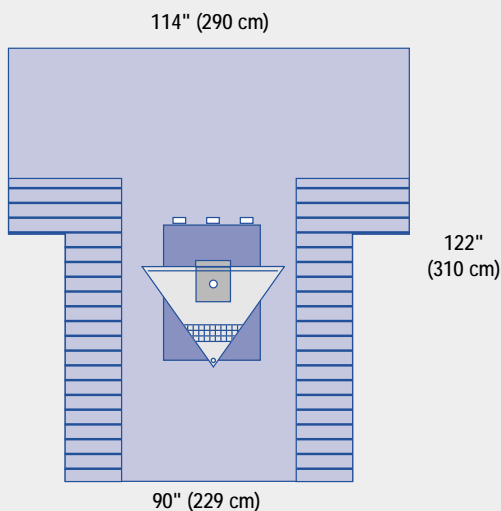
*Packaging: 12/cs*

Non-Sterile Item Number: SPT-2550S



### Arthroscopy Drape with Fluid Control Pouch

- Poly backed absorbent reinforcement, 29" x 37" (74 x 94 cm)
- 2½" (6 cm) dual circular elastic fenestrations
- Attached fluid control pouch with port
- Malleable wire former
- Velcro-style line holders



### Arthroscopy T-Drape with Fluid Control Pouch

- Poly-backed absorbent reinforcement 29" x 36" (74 x 91 cm)
- 2½" (6 cm) dual circular elastic fenestrations
- Attached fluid control pouch with filter and port
- Malleable wire former
- Velcro-style line holders

### Proxima Arthroscopy Drape with Fluid Control Pouch

DYNJP8101

Packaging: 12/cs

Non-Sterile Item Number: SPT-2560S

### Proxima Arthroscopy T-Drape with Fluid Control Pouch

DYNJP8102

Packaging: 6/cs

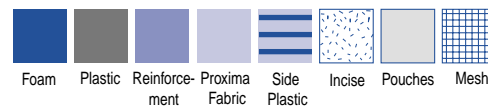
Non-Sterile Item Number: SPT-2565S

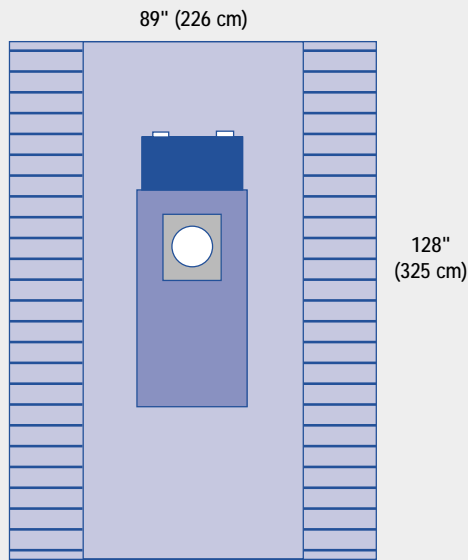


*Proxima*

# HIP PACKS AND DRAPES

		Page Number	Case Pack	Cardinal Convertors	Molnlycke Barrier	Kimberly Clark	Maxxim Boundary
<b>Hip Packs</b>							
DYNJP8200	Hip Pack I	151	6	29187	---	---	---
DYNJP8210	Hip Pack II	152	6	---	1267	88451/88453	OR046
DYNJP8220	Hip Pack III	153	4	---	1291	---	OR044
DYNJP8230	Hip Pack IV	154	6	---	0176	---	---
DYNJP8240	Hip Pack V	155	3	---	0202	88452	OR067
DYNJP8200HD	Hip Pack I HD	151	6	---	---	---	---
DYNJP8210HD	Hip Pack II HD	152	6	---	1267	88453	OR046
DYNJP8220HD	Hip Pack III HD	153	4	---	---	---	OR044
DYNJP8230HD	Hip Pack IV HD	154	6	---	0176	---	---
DYNJP8240HD	Hip Pack V HD	155	3	---	0202	88452	OR067
<b>Hip Drapes</b>							
DYNJP8201	Proxima Hip Drape with Pouches	156	5	29429	0204	89345	HP041
DYNJP8202	Proxima Hip Drape	156	12	29430	1260	89346	HP011
<b>Stockinettes</b>							
NON22520	Impervious Stockinette 6" x 30" (15 x 76 cm)	150	24	1584	0272	92514	IS010
NON22530	Impervious Stockinette 9" x 36" (23 x 91 cm)	150	15	1585/1586	0273	89811/92515	IS015
NON22535	Impervious Stockinette 12" x 48" (30 x 122 cm)	150	10	1587	0274	89821	IS020





**Hip Drape included in packs DYNJP8200, DYNJP8200HD**

- Absorbent reinforcement, 27" x 53" (69 x 135 cm)
- 9" (23 cm) elastic fenestration with adhesive strip
- Instrument pad
- Velcro-style line holders
- Drape sold separately as DYNJP8202, sterile

**Hip Pack I**

**DYNJP8200**

- 1 Gown, X-Large, poly reinforced with towel in outer wrap
- 1 Mayo stand cover, 24" x 53" (61 x 135 cm)
- 1 Impervious U-drape with adhesive, 54" x 76" (137 x 193 cm)
- 1 Impervious stockinette, 12" x 48" (30 x 122 cm)
- 4 Utility drapes with adhesive, 15" x 26" (38 x 66 cm)
- 1 Suture bag
- 1 Hip drape
- 1 Table cover, reinforced poly, 50" x 90" (127 x 229 cm)

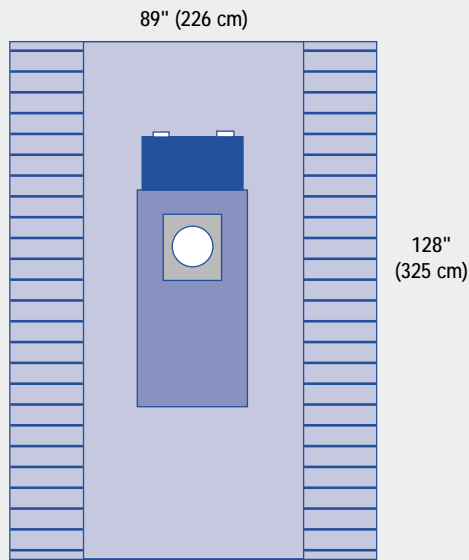
*Packaging: 6/cs*

**Hip Pack I HD**

**DYNJP8200HD**

- 1 Gown, X-Large, poly reinforced with towel in outer wrap
- 1 Mayo stand cover, 24" x 53" (61 x 135 cm)
- 1 Impervious U-drape with adhesive, 54" x 76" (137 x 193 cm)
- 1 Impervious stockinette, 12" x 48" (30 x 122 cm)
- 4 Utility drapes with adhesive, 15" x 26" (38 x 66 cm)
- 1 Suture bag
- 1 Hip drape
- 1 Table cover, heavy duty, 50" x 90" (127 x 229 cm)

*Packaging: 6/cs*



**Hip Drape included in packs DYNJP8210, DYNJP8210HD**

- Absorbent reinforcement, 27" x 53" (69 x 135 cm)
- 9" (23 cm) elastic fenestration with adhesive strip
- Instrument pad
- Velcro-style line holders
- Drape sold separately as DYNJP8202, sterile

### Hip Pack II

**DYNJP8210**

- 1 Gown, large, poly reinforced with towel in outer wrap
- 2 Hand towels
- 2 Gowns, X-Large, poly reinforced
- 1 Mayo stand cover, 24" x 53" (61 x 135 cm)
- 1 Impervious U-drape with adhesive, 54" x 76" (137 x 193 cm)
- 1 Impervious stockinette, 12" x 48" (30 x 122 cm)
- 1 Suture bag
- 1 Hip drape
- 1 Table cover, reinforced poly, 50" x 90" (127 x 229 cm)

*Packaging: 6/cs*

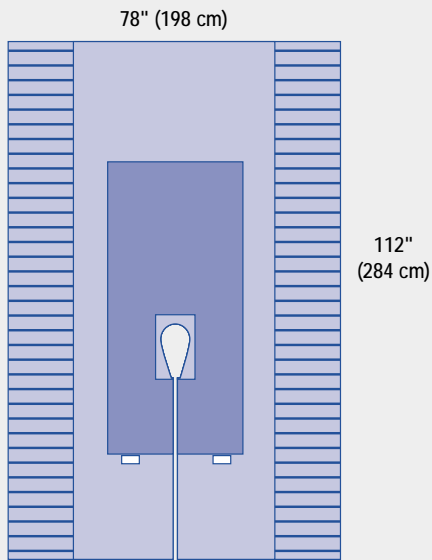
### Hip Pack II HD

**DYNJP8210HD**

- 1 Gown, large, poly reinforced with towel in outer wrap
- 2 Hand towels
- 2 Gowns, X-Large, poly reinforced
- 1 Mayo stand cover, 24" x 53" (61 x 135 cm)
- 1 Impervious U-drape with adhesive, 54" x 76" (137 x 193 cm)
- 1 Impervious stockinette, 12" x 48" (30 x 122 cm)
- 1 Suture bag
- 1 Hip drape
- 1 Table cover, heavy duty, 50" x 90" (127 x 229 cm)

*Packaging: 6/cs*





**Hip Split Drape included in packs  
DYNJP8220, DYNJP8220HD**

- Absorbent reinforcement, 63" x 29" (160 x 74 cm)
- Split with adhesive, 52" (132 cm)
- Velcro-style line holders

### Hip Pack III

DYNJP8220

- 1 Gown, large, poly reinforced with towel in outer wrap
- 2 Hand towels
- 2 Gowns, X-Large, poly reinforced
- 1 Mayo stand cover, 24" x 53" (61 x 135 cm)
- 1 Medium drape, 40" x 70" (102 x 178 cm)
- 1 Impervious U-drape with adhesive, 54" x 76" (137 x 193 cm)
- 1 Impervious stockinette, 12" x 48" (30 x 122 cm)
- 1 Utility drape with adhesive, 15" x 26" (38 x 66 cm)
- 1 Suture bag
- 1 Hip split drape
- 1 Table cover, reinforced poly, 50" x 90" (127 x 229 cm)

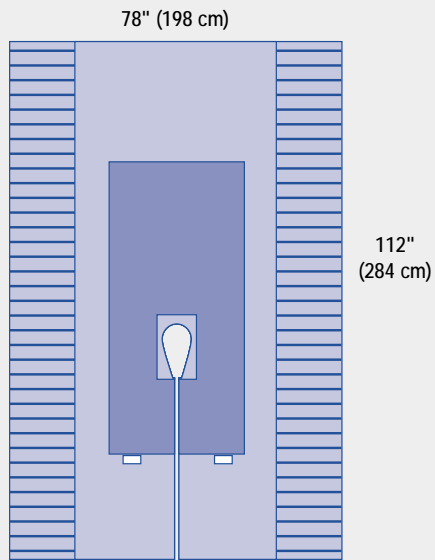
*Packaging: 4/cs*

### Hip Pack III HD

DYNJP8220HD

- 1 Gown, large, poly reinforced with towel in outer wrap
- 2 Hand towels
- 2 Gowns, X-Large, poly reinforced
- 1 Mayo stand cover, 24" x 53" (61 x 135 cm)
- 1 Medium drape, 40" x 70" (102 x 178 cm)
- 1 Impervious U-drape with adhesive, 54" x 76" (137 x 193 cm)
- 1 Impervious stockinette, 12" x 48" (30 x 122 cm)
- 1 Utility drape with adhesive, 15" x 26" (38 x 66 cm)
- 1 Suture bag
- 1 Hip split drape
- 1 Table cover, heavy duty, 50" x 90" (127 x 229 cm)

*Packaging: 4/cs*



**Hip Split Drape included in packs  
DYNJP8230, DYNJP8230HD**

- Absorbent reinforcement, 63" x 29" (160 x 74 cm)
- Split with adhesive, 52" (132 cm)
- Velcro-style line holders

### Hip Pack IV

**DYNJP8230**

- 1 Mayo stand cover, 24" x 53" (61 x 135 cm)
- 1 Medium drape, 40" x 70" (102 x 178 cm)
- 1 Impervious U-drape with adhesive, 54" x 76" (137 x 193 cm)
- 1 Impervious stockinette, 12" x 48" (30 x 122 cm)
- 1 Suture bag
- 1 Hip split drape
- 1 Table cover, reinforced poly, 50" x 90" (127 x 229 cm)

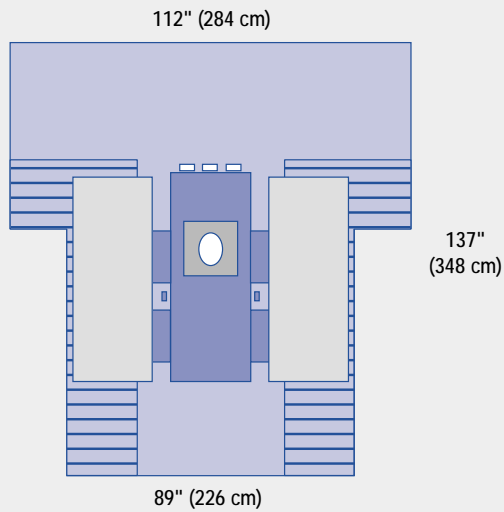
*Packaging: 6/cs*

### Hip Pack IV HD

**DYNJP8230HD**

- 1 Mayo stand cover, 24" x 53" (61 x 135 cm)
- 1 Medium drape, 40" x 70" (102 x 178 cm)
- 1 Impervious U-drape with adhesive, 54" x 76" (137 x 193 cm)
- 1 Impervious stockinette, 12" x 48" (30 x 122 cm)
- 1 Suture bag
- 1 Hip split drape
- 1 Table cover, heavy duty, 50" x 90" (127 x 229 cm)

*Packaging: 6/cs*



**Hip Drape with Pouches included in packs  
DYNJP8240, DYNJP8240HD**

- Absorbent reinforcement, 56" x 23" (142 x 58 cm)
- 9" (23 cm) elastic fenestration with adhesive strip
- Contoured armboard covers
- Clipping tabs
- Fluid control pouches
- Velcro-style line holders
- Drape sold separately as DYNJP8201, sterile

**Hip Pack V**

**DYNJP8240**

- 1 Gown, large, poly reinforced with towel in outer wrap
- 2 Hand towels
- 2 Gowns, X-Large, poly reinforced
- 1 Mayo stand cover, 24" x 53" (61 x 135 cm)
- 1 Impervious U-drape with adhesive, 54" x 76" (137 x 193 cm)
- 1 Impervious stockinette, 12" x 48" (30 x 122 cm)
- 1 Suture bag
- 1 Hip drape with pouches
- 1 Table cover, reinforced poly, 50" x 90" (127 x 229 cm)

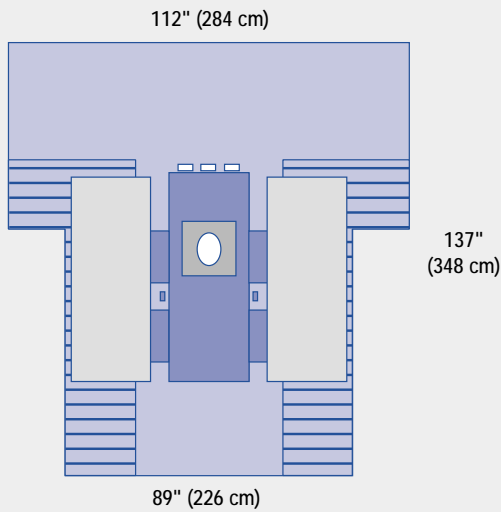
*Packaging: 3/cs*

**Hip Pack V HD**

**DYNJP8240HD**

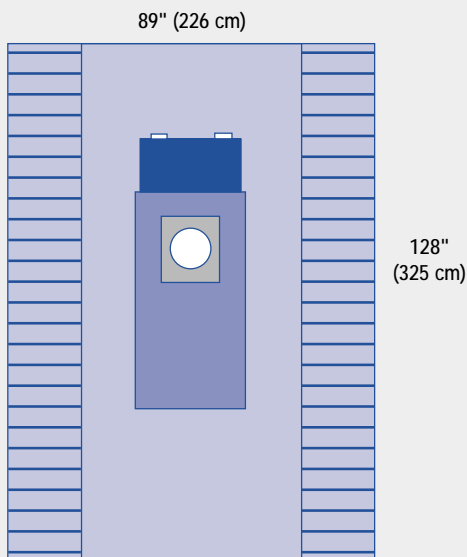
- 1 Gown, large, poly reinforced with towel in outer wrap
- 2 Hand towels
- 2 Gowns, X-Large, poly reinforced
- 1 Mayo stand cover, 24" x 53" (61 x 135 cm)
- 1 Impervious U-drape with adhesive, 54" x 76" (137x193cm)
- 1 Impervious stockinette, 12" x 48" (30 x 122 cm)
- 1 Suture bag
- 1 Hip drape with pouches
- 1 Table cover, heavy duty, 50" x 90" (127 x 229 cm)

*Packaging: 3/cs*



### Hip Drape with Pouches

- Absorbent reinforcement, 56" x 23" (142 x 58 cm)
- 9" (23 cm) elastic fenestration with adhesive strip
- Contoured armboard covers
- Fluid control pouches
- Velcro-style line holders



### Hip Drape

- Absorbent reinforcement, 27" x 53" (69 x 135 cm)
- 9" (23 cm) elastic fenestration with adhesive strip
- Instrument pad
- Velcro-style line holders

### Proxima Hip Drape with Pouches

DYNJP8201

*Packaging: 5/cs*

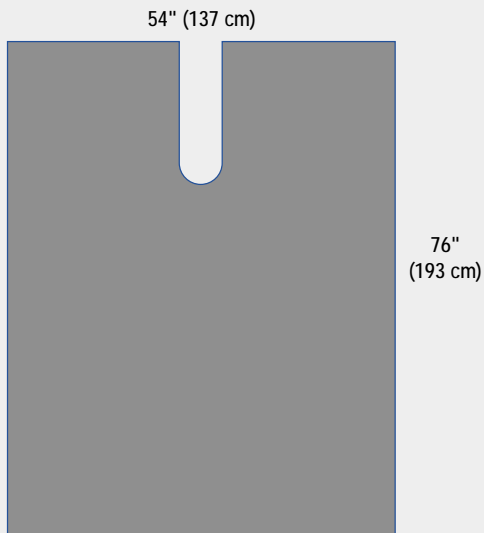
Non-Sterile Item Number: SPT-8290S

### Proxima Hip Drape

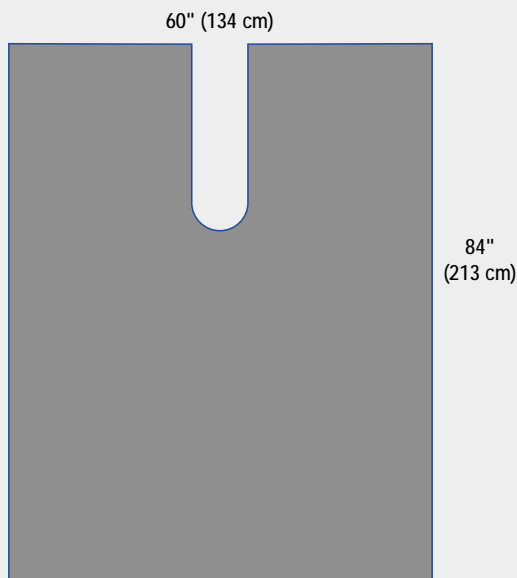
DYNJP8202

*Packaging: 12/cs*

Non-Sterile Item Number: SPT-8280S

**Impervious U-Drape**

- Split with adhesive, 6" x 24" (15 x 61 cm)

**Large Impervious U-Drape**

- Split with adhesive, 8" x 30" (20 x 76 cm)

---

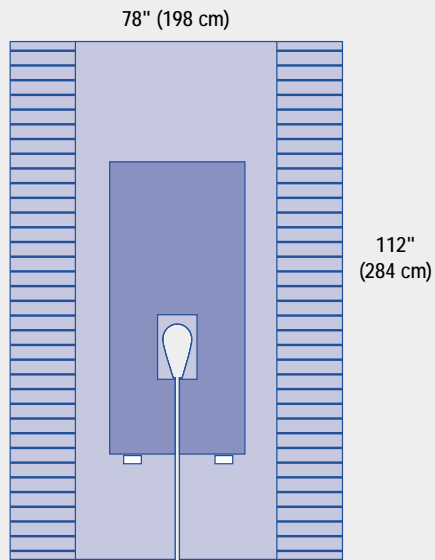
**Proxima Impervious U-Drape****DYNJP2499***Packaging: 24/cs*

Non-Sterile Item Number: 12139

---

**Proxima Large Impervious U-Drape** DYNJP2430*Packaging: 22/cs*

Non-Sterile Item Number: SPT-2430S



### Hip Split Drape

- Absorbent reinforcement, 63" x 29" (160 x 74 cm)
- Split with adhesive, 52" (132 cm)
- Velcro-style line holders

### Proxima Hip Split Drape

\*

Non-Sterile Item Number: SPT-8270S

\* *not available sterile*

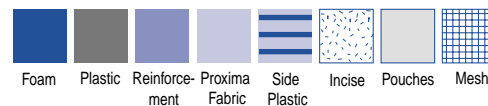


**Proxima**

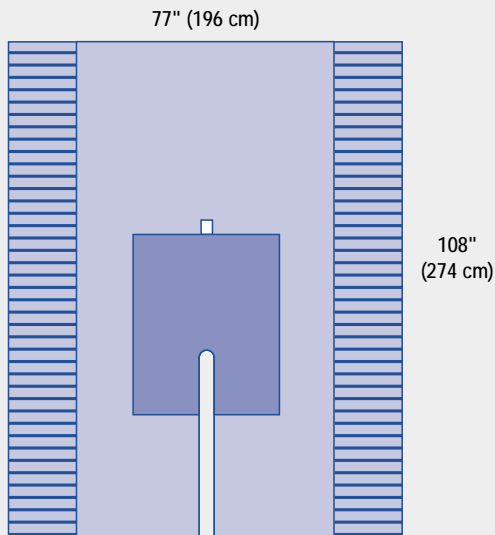


**GENERAL ORTHOPEDICS**

		<u>Page Number</u>	<u>Case Pack</u>	<u>Cardinal Convertors</u>	<u>Molnlycke Barrier</u>	<u>Kimberly Clark</u>	<u>Maxxim Boundary</u>
<b>General Orthopedic Packs</b>							
DYNJP8300	Ortho Pack I	161	5	29182/29183	1264	88311	OR082
DYNJP8310	Ortho Pack II	161	6	29184	---	88321	OR084
DYNJP8320	Ortho Pack III	162	4	29181	1290	88411/88412	OR081/OR082
DYNJP8330	Ortho Pack IV	163	5	---	0179	---	---
DYNJP8320HD	Ortho Pack III HD	162	4	---	---	88412	---
DYNJP8330HD	Ortho Pack IV HD	163	5	---	0179	---	---
<b>Orthopedic Drapes</b>							
DYNJP2498	Split Drape	165	10	29436	1298	89321/89301	SP018
DYNJP4002	Proxima Top Drape	164	14	29352	0203	89381/89348	TD020
DYJNP8301	Ortho Split Drape	164	10	29433/29440	1298	89275/89347	SP031
DYNJP2499	Impervious U-Drape	165	24	8474/8476	0275	89331	UD015
DYNJP2430	Large Impervious U-Drape	166	22	8475	---	---	---
<b>Stockinettes</b>							
NON22520	Impervious Stockinette 6" x 30" (15 x 76 cm)	150	24	1584	0272	92514	IS010
NON22530	Impervious Stockinette 9" x 36" (23 x 91 cm)	150	15	1585/1586	0273	89811/92515	IS015
NON22535	Impervious Stockinette 12" x 48" (30 x 122 cm)	150	10	1587	0274	89821	IS020







**Split Drape included in packs DYNJP8300, DYNJP8310**

- Absorbent reinforcement, 36" x 29" (91 x 74 cm)
- Split with adhesive, 2½" x 37" (6 x 94 cm)
- Velcro-style line holder
- Drape sold separately as DYNJP2498, sterile

**Orthopedic Pack I**

**DYNJP8300**

- 2 Hand towels
- 1 Mayo stand cover, 24" x 53" (61 x 135 cm)
- 1 Impervious U-drape with adhesive, 54" x 76" (137 x 193 cm)
- 1 ¾ drape, 53" x 77" (135 x 196 cm)
- 4 Utility drapes with adhesive, 15" x 26" (38 x 66 cm)
- 1 Suture bag
- 1 Split drape with adhesive
- 1 Table cover, reinforced poly, 50" x 90" (127 x 229 cm)

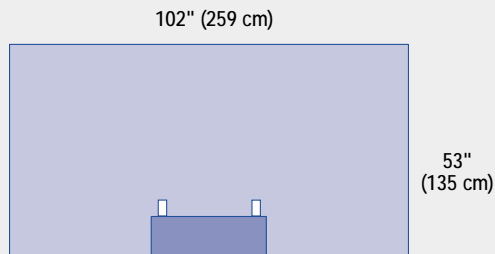
*Packaging: 5/cs*

**Orthopedic Pack II**

**DYNJP8310**

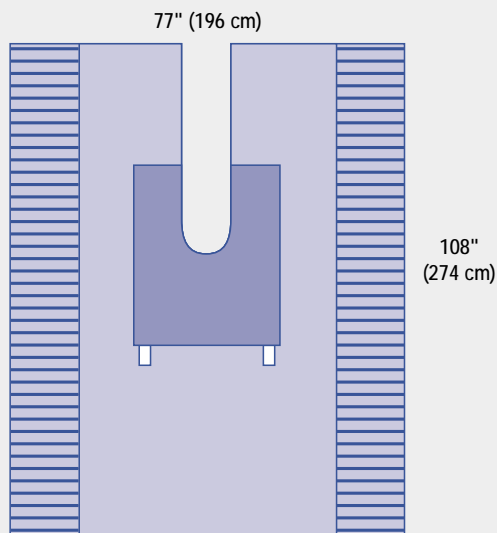
- 4 Hand towels
- 2 Gowns, X-Large, poly reinforced
- 1 Mayo stand cover, 24" x 53" (61 x 135 cm)
- 1 Impervious U-drape with adhesive, 54" x 76" (137 x 193 cm)
- 1 ¾ drape, 53" x 77" (135 x 196 cm)
- 4 Utility drapes with adhesive, 15" x 26" (38 x 66 cm)
- 1 Suture bag
- 1 Split drape with adhesive
- 1 Table cover, reinforced poly, 50" x 90" (127 x 229 cm)

*Packaging: 6/cs*



**Top Drape included in packs DYNJP8320, DYNJP8320HD**

- Absorbent reinforcement, 29" x 10" (74 x 25 cm)
- Velcro-style line holders
- Adhesive along reinforced edge
- Drape sold separately as DYNJP4002, sterile



**Orthopedic Split Drape included in packs DYNJP8330, DYNJP8330HD**

- Absorbent reinforcement, 39" x 23" (99 x 58 cm)
- Split with adhesive, 6" x 40" (15 x 102 cm)
- Velcro-style line holders
- Drape sold separately as DYNJP8301, sterile

**Orthopedic Pack III**

**DYNJP8320**

- 1 Gown, large, poly reinforced with towel in outer wrap
- 1 Gown, X-Large, poly reinforced
- 1 Mayo stand cover, 24" x 53" (61 x 135 cm)
- 1 Top drape
- 1 Impervious U-drape with adhesive, 54" x 76" (137 x 193 cm)
- 1 Impervious stockinette, 12" x 48" (30 x 122 cm)
- 4 Utility drapes with adhesive, 15" x 26" (38 x 66 cm)
- 1 Suture bag
- 1 Orthopedic split drape with adhesive
- 1 Table cover, reinforced poly, 50" x 90" (127 x 229 cm)

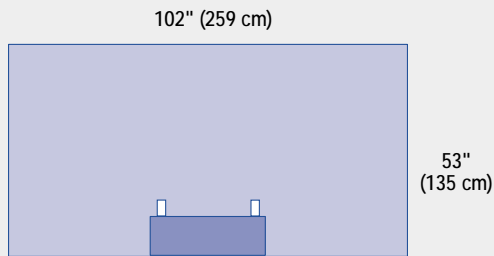
*Packaging: 4/cs*

**Orthopedic Pack III HD**

**DYNJP8320HD**

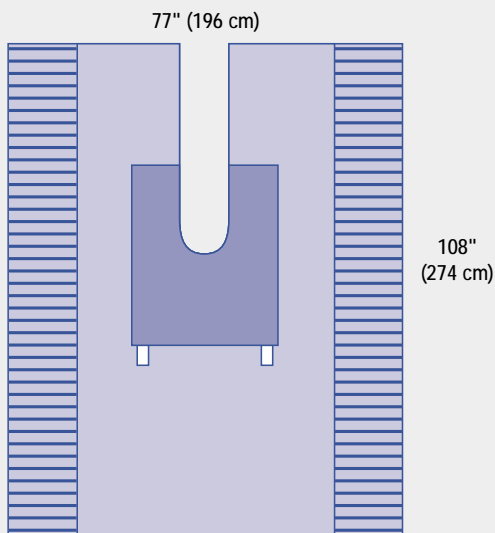
- 1 Gown, large, poly reinforced with towel in outer wrap
- 1 Gown, X-Large, poly reinforced
- 1 Mayo stand cover, 24" x 53" (61 x 135 cm)
- 1 Top drape
- 1 Impervious U-drape with adhesive, 54" x 76" (137 x 193 cm)
- 1 Impervious stockinette, 12" x 48" (30 x 122 cm)
- 4 Utility drapes with adhesive, 15" x 26" (38 x 66 cm)
- 1 Suture bag
- 1 Orthopedic split drape with adhesive
- 1 Table cover, heavy duty, 50" x 90" (127 x 229 cm)

*Packaging: 4/cs*



**Top Drape included in packs DYNJP8320, DYNJP8320HD**

- Absorbent reinforcement, 29" x 10" (74 x 25 cm)
- Velcro-style line holders
- Adhesive along reinforced edge
- Drape sold separately as DYNJP4002, sterile



**Orthopedic Split Drape included in packs DYNJP8330, DYNJP8330HD**

- Absorbent reinforcement, 39" x 23" (99 x 58 cm)
- Split with adhesive, 6" x 40" (15 x 102 cm)
- Velcro-style line holders
- Drape sold separately as DYNJP8301, sterile

**Orthopedic Pack IV**

**DYNJP8330**

- 1 Mayo stand cover, 24" x 53" (61 x 135 cm)
- 1 Top drape
- 1 Impervious U-drape with adhesive, 54" x 76" (137 x 193 cm)
- 1 Impervious stockinette, 12" x 48" (30 x 122 cm)
- 1 Suture bag
- 1 Orthopedic split drape with adhesive
- 1 Table cover, reinforced poly, 50" x 90" (127 x 229 cm)

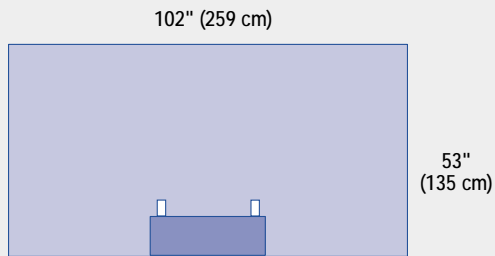
*Packaging: 5/cs*

**Orthopedic Pack IV HD**

**DYNJP8330HD**

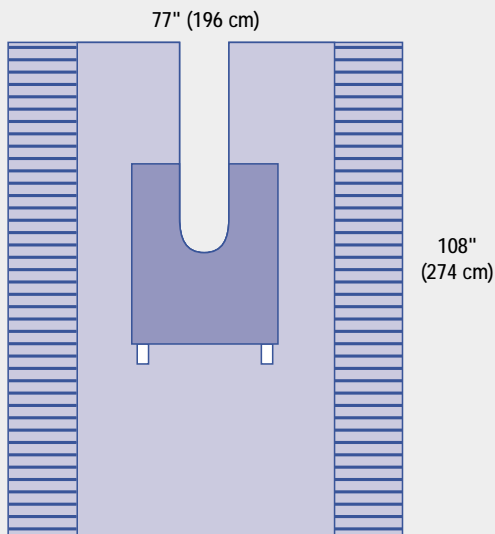
- 1 Mayo stand cover, 24" x 53" (61 x 135 cm)
- 1 Top drape
- 1 Impervious U-drape with adhesive, 54" x 76" (137 x 193 cm)
- 1 Impervious stockinette, 12" x 48" (30 x 122 cm)
- 1 Suture bag
- 1 Orthopedic split drape with adhesive
- 1 Table cover heavy duty, 50" x 90" (127 x 229 cm)

*Packaging: 5/cs*



### Top Drape

- Absorbent reinforcement, 29" x 10" (74 x 25 cm)
- Velcro-style line holders
- Adhesive along reinforced edge



### Orthopedic Split Drape

- Absorbent reinforcement, 39" x 23" (99 x 58 cm)
- Split with adhesive, 6" x 40" (15 x 102 cm)
- Velcro-style line holders

## Proxima Top Drape

DYNJP4002

Packaging: 14/cs

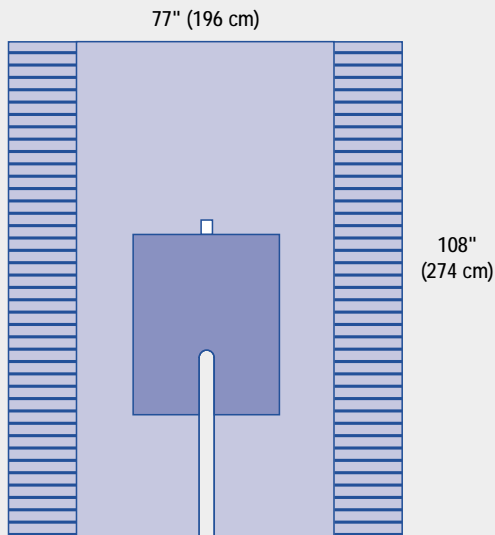
Non-Sterile Item Number: SPT-4205S

## Proxima Orthopedic Split Drape

DYNJP8301

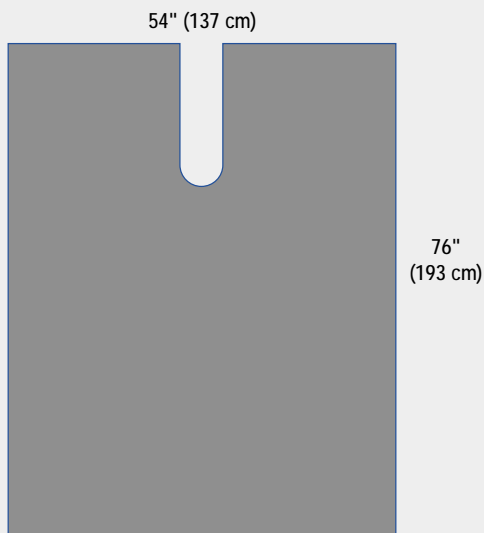
Packaging: 10/cs

Non-Sterile Item Number: SPT-2451S



### Split Drape

- Absorbent reinforcement, 36" x 29" (91 x 74 cm)
- Split with adhesive, 2½" x 37" (6 x 94 cm)
- Velcro-style line holder



### Impervious U-Drape

- Split with adhesive, 6" x 24" (15 x 61 cm)

---

## Proxima Split Drape with Adhesive DYNJP2498

*Packaging: 10/cs*

Non-Sterile Item Number: SPT-2450S

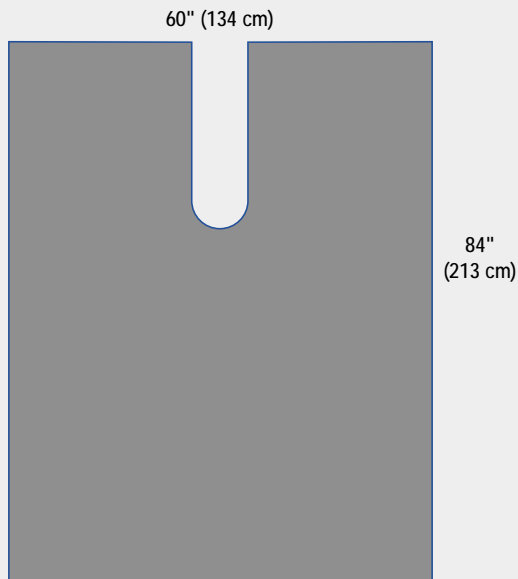
---

## Proxima Impervious U-Drape

DYNJP2499

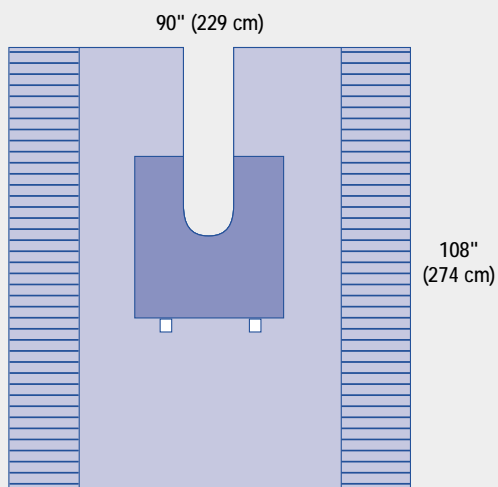
*Packaging: 24/cs*

Non-Sterile Item Number: 12139



### Large Impervious U-Drape

- Split with adhesive, 8" x 30" (20 x 76 cm)



### XL Orthopedic Split Drape

- Absorbent reinforcement 39" x 29" (99 x 74 cm)
- Split with adhesive 6" x 40" (15 x 102 cm)
- Velcro-style line holders

### Proxima Large Impervious U-Drape DYNJP2430

Packaging: 22/cs

Non-Sterile Item Number: SPT-2430S

### X-Large Orthopedic Split Drape \*

Non-Sterile Item Number: SPT-2455S

\* *not available sterile*



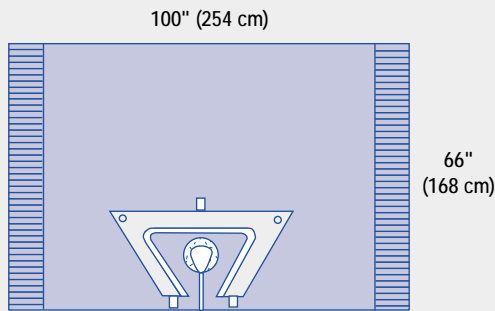
Proxima



# SHOULDERS

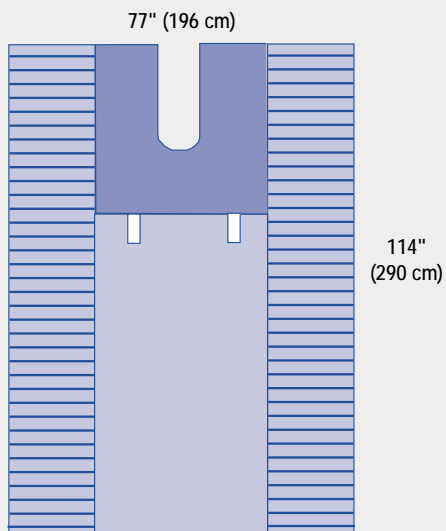
		Page Number	Case Pack	Cardinal Convertors	Molnlycke Barrier	Kimberly Clark	Maxxim Boundary
<b>Shoulder Packs</b>							
DYNJP8400	Shoulder Pack I	169	3	9183	0296	88492	OR019
DYNJP8401	Shoulder Drape Pack with Pouch	169	10	29367	0295	89492	---
DYNJP8410	Shoulder Pack II	170	3	29160	1216	88491	OR018
DYNJP8411	Shoulder Drape Pack	170	8	29365	---	89274	---
DYNJP8420	Shoulder Pack III	171	5	---	0177	---	---
DYNJP8421	Shoulder Drape Pack II	171	8	---	---	---	---
DYNJP8430	Beach Chair Shoulder Pack	173	3	---	---	88108	---
DYNJP8440	Shoulder Pack IV	172	3	---	---	---	---
DYNJP8441	Shoulder Drape Pack III	172	10	---	---	---	---
DYNJP8450	Shoulder Pack V	173	8	---	---	---	---
DYNJP8410HD	Shoulder Pack II HD	170	3	---	---	88491	---
<b>Shoulder Drapes</b>							
DYNJP2498	Proxima Split Drape with Adhesive	174	10	29436	1298	89321/89301	SP018
DYJNP8301	Proxima Orthopedic Split Drape	174	10	29433/29440	1298	89275/89347	SP031
DYNJP8412	Proxima Beach Chair Shoulder Drape	175	5	29369	0294	89070/89066	---
DYNJP8405	Proxima Shoulder Split Drape with Pouch	175	8	---	---	---	SP090
DYNJP2430	Proxima X-Large Impervious U-Drape	176	22	8475	---	---	---
DYNJP2499	Proxima Impervious U-Drape	176	24	8474/8476	0275	89070/89066/89331	UD015
<b>Stockinettes</b>							
NON22520	Impervious Stockinette 6" x 30" (15 x 76 cm)	150	24	1584	0272	92514	IS010
NON22530	Impervious Stockinette 9" x 36" (23 x 91 cm)	150	15	1585/1586	0273	89811/92515	IS015
NON22535	Impervious Stockinette 12" x 48" (30 x 122 cm)	150	10	1587	0274	89821	IS020
<b>Accessories</b>							
DYNJSD1067	Proxima Shoulder U-Pouch	177	24	---	5217	---	FP090





**Shoulder Drape with Fluid Collection Pouch included in packs DYNJP8400, DYNJP8401**

- Contoured shoulder split with incise
- Fluid collection pouch with drainage ports
- Velcro-style line holders



**Body Split Drape for Shoulders included in packs DYNJP8400, DYNJP8401**

- Absorbent reinforcement, 39" x 40" (99 x 102 cm)
- Split with adhesive, 10" x 25" (25 x 64 cm)
- Velcro-style line holders

**Shoulder Pack I**

**DYNJP8400**

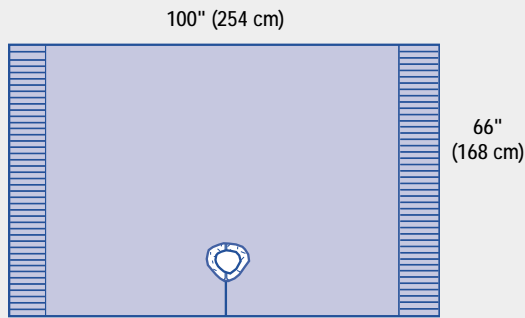
- 1 Gown, large, poly reinforced with towel in outer wrap
- 1 Hand towel
- 1 Gown, XX-Large, poly reinforced
- 1 Mayo stand cover, 24" x 53" (61 x 135 cm)
- 2 Drape tape strips
- 1 Suture bag
- 1 Body split drape for shoulders with adhesive
- 1 Shoulder drape with incise and fluid collection pouch
- 1 Table cover, reinforced poly, 50" x 90" (127 x 229 cm)

*Packaging: 3/cs*

**Shoulder Drape Pack with Pouch DYNJP8401**

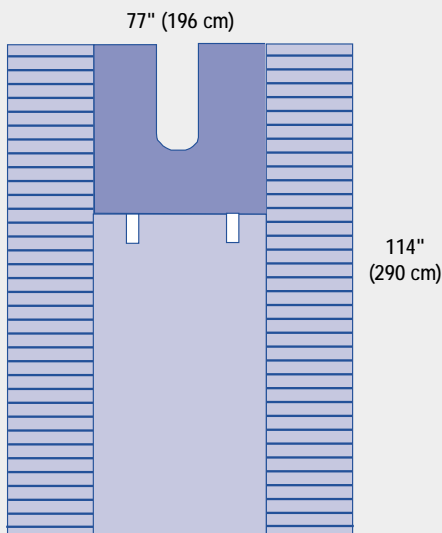
- 1 Body split drape for shoulders with adhesive
- 1 Shoulder drape with with incise and fluid collection pouch

*Packaging: 10/cs*



**Shoulder Split Drape with Incise included in packs DYNJP8410 and DYNJP8411**

- Contoured shoulder split with incise



**Body Split Drape for Shoulders included in packs DYNJP8410, DYNJP8410HD, DYNJP8411**

- Absorbent reinforcement 39" x 40" (99 x 102 cm)
- Split with adhesive, 10" x 25" (25 x 64 cm)
- Velcro-style line holders

**Shoulder Pack II**

**DYNJP8410**

- 1 Gown, large, non-reinforced with towel in outer wrap
- 3 Hand towels
- 1 Gown, xX-Large, poly reinforced
- 1 Mayo stand cover, 24" x 53" (61 x 135 cm)
- 1 Impervious U-drape with adhesive, 54" x 76" (137 x 193cm)
- 4 Utility drapes with adhesive, 15" x 26" (38 x 66 cm)
- 1 Suture bag
- 1 Body split drape for shoulder with adhesive
- 1 Shoulder split drape with incise
- 1 Table cover, reinforced poly, 50" x 90" (127 x 229 cm)

*Packaging: 3/cs*

**Shoulder Pack II HD**

**DYNJP8410HD**

- 1 Gown, large, non-reinforced with towel in outer wrap
- 3 Hand towels
- 1 Gown, xX-Large, poly reinforced
- 1 Mayo stand cover, 24" x 53" (61 x 135 cm)
- 1 Impervious U-drape with adhesive, 54" x 76" (137 x 193cm)
- 4 Utility drapes with adhesive, 15" x 26" (38 x 66 cm)
- 1 Suture bag
- 1 Body split drape for shoulder with adhesive
- 1 Shoulder split drape with incise
- 1 Table cover, heavy duty, 50" x 90" (127 x 229 cm)

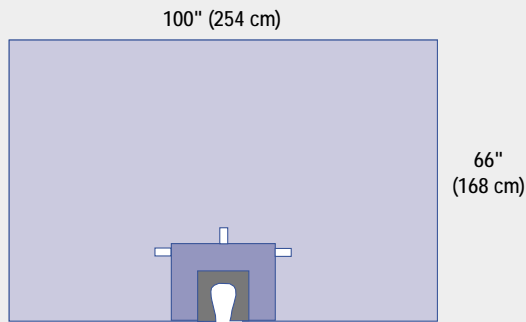
*Packaging: 3/cs*

**Shoulder Drape Pack**

**DYNJP8411**

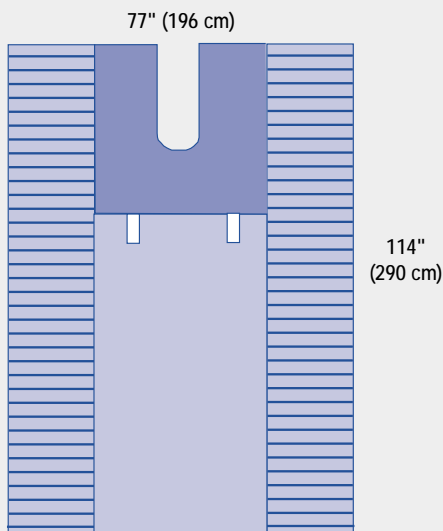
- 1 Body Split drape for shoulders with adhesive
- 1 Shoulder split drape with incise

*Packaging: 8/cs*



**Shoulder Split Drape with Adhesive included in packs DYNJP8420, DYNJP8421**

- Contoured shoulder split with adhesive
- Absorbent reinforcement, 18" x 29" (46 x 74 cm)
- Velcro-style line holders



**Body Split Drape for Shoulders included in packs DYNJP8420, DYNJP8421**

- Absorbent reinforcement, 39" x 40" (99 x 102 cm)
- Split with adhesive, 10" x 25" (25 x 64 cm)
- Velcro-style line holders

**Shoulder Pack III**

**DYNJP8420**

- 1 Mayo stand cover, 24" x 53" (61 x 135 cm)
- 1 Impervious U-drape with adhesive, 54" x 76" (137 x 193 cm)
- 2 Drape tape strips
- 1 Suture bag
- 1 Body split drape for shoulders with adhesive
- 1 Shoulder split drape with adhesive
- 1 Table cover, reinforced poly, 50" x 90" (127 x 229 cm)

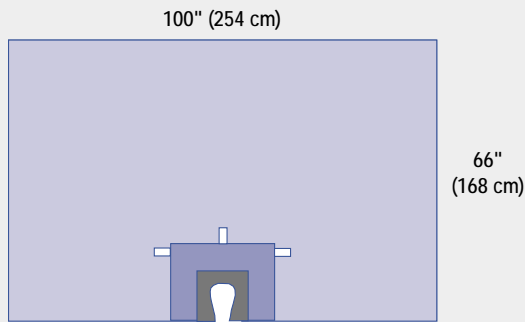
*Packaging: 5/cs*

**Shoulder Drape Pack II**

**DYNJP8421**

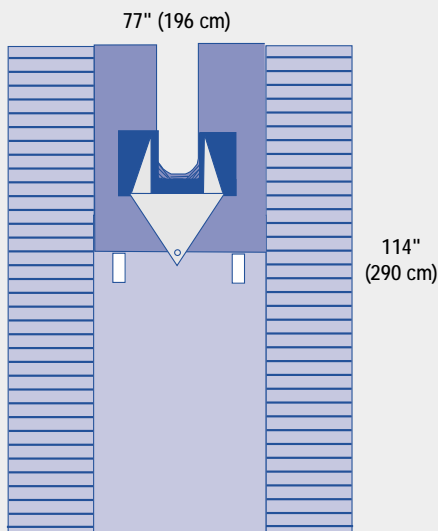
- 1 Body split drape for shoulders with adhesive
- 1 Shoulder split drape with adhesive

*Packaging: 8/cs*



#### Shoulder Split Drape with Adhesive included in packs DYNJP8440, DYNJP8441

- Contoured shoulder split with adhesive
- Absorbent reinforcement, 18" x 29" (46 x 74 cm)
- Velcro-Style line holders



#### Body Split Drape for Shoulders with pouch included in packs DYNJP8440, DYNJP8441

- Absorbent reinforcement, 39" x 40" (99 x 102 cm)
- Split with adhesive, 10" x 25" (25 x 64 cm)
- Fluid control pouch with side channels and port
- Velcro-Style line holders

#### Shoulder Pack IV

DYNJP8440

- 1 Gown large poly reinforced with towel in outer wrap
- 1 Hand towel
- 1 Gown XL, X-Long poly reinforced
- 1 Mayo stand cover, 24" x 53" (61 x 135 cm)
- 2 Drape tape strips
- 1 Suture bag
- 1 Shoulder split drape with adhesive
- 1 Body split drape for shoulders with pouch
- 1 Table cover, reinforced poly 50" x 90" (127 x 229 cm)

Packaging: 3/cs

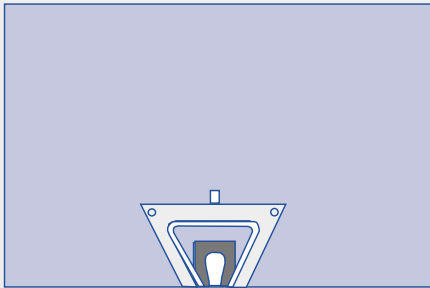
#### Shoulder Drape Pack III

DYNJP8441

- 1 Shoulder split drape with adhesive
- 1 Body split drape for Shoulders with Pouch

Packaging: 10/cs

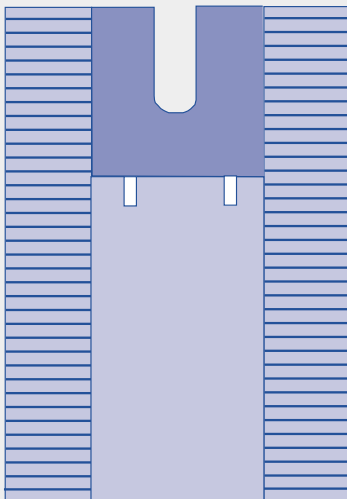
100" (254 cm)

70"  
(178 cm)

#### Shoulder Split Drape with Pouch and Adhesive included in pack DYNJP8450

- Contoured shoulder split with adhesive
- Fluid collection pouch with drainage ports
- Velcro-style line holder
- Drape sold separately as DYNJP8405, sterile

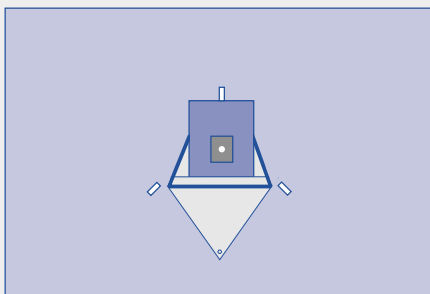
77" (196 cm)

114"  
(290 cm)

#### Body Split Drape for Shoulders included in pack DYNJP8450

- Absorbent reinforcement, 39" x 40" (99 x 102 cm)
- Split with adhesive, 10" x 25" (25 x 64 cm)
- Velcro-style line holders

159" (404 cm)

105"  
(267 cm)

#### Beach Chair Shoulder Drape included in pack DYNJP8430

- Absorbent reinforcement, 18" x 28" (46 x 71 cm)
- 3<sup>3</sup>/<sub>4</sub>" (9.5 cm) circular elastic fenestration with adhesive
- Attached fluid collection pouch, 30" x 19" (76 x 48 cm) with port
- Malleable wire former
- Velcro-style line holders

### Shoulder Pack V

DYNJP8450

- 1 Mayo stand cover, 24" x 53" (61 x 135 cm)
- 1 Impervious U-Drape with adhesive, 54" x 76" (137 x 193 cm)
- 1 Suture bag
- 1 Body split drape for shoulders
- 1 Shoulder Split Drape with Pouch and adhesive
- 1 Table cover, reinforced poly 50" x 90" (127 x 229 cm)

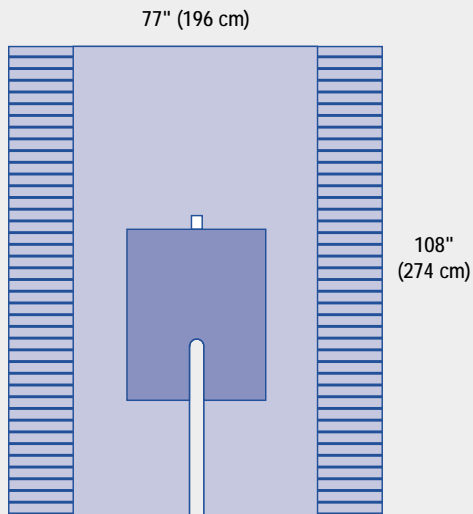
Packaging: 3/cs

### Beach Chair Shoulder Pack

DYNJP8430

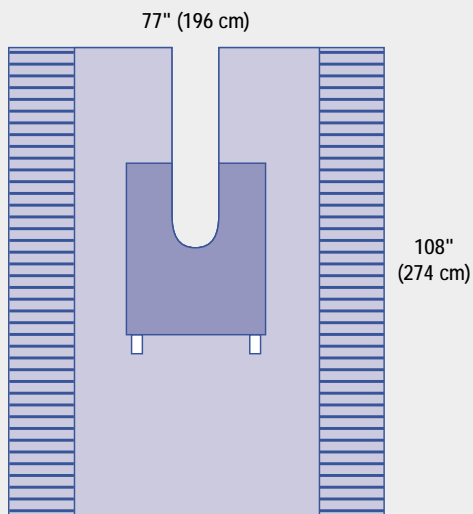
- 1 Gown, large, poly reinforced with towel in outer wrap
- 1 Gown, X-Large, poly reinforced
- 1 Absorbent towel
- 1 Impervious U drape with adhesive, 54" x 76" (137 x 193 cm)
- 1 Suture bag
- 1 Beach chair shoulder drape
- 1 Table cover, reinforced poly, 50" x 90" (127 x 229 cm)

Packaging: 3/cs



### Split Drape

- Absorbent reinforcement, 36" x 29" (91 x 74 cm)
- Split with adhesive, 2½" x 37" (6 x 94 cm)
- Velcro-style line holders



### Orthopedic Split Drape

- Absorbent reinforcement, 39" x 23" (99 x 58 cm)
- Split with adhesive, 6" x 40" (15 x 102 cm)
- Velcro-style line holders

## Proxima Split Drape with Adhesive DYNJP2498

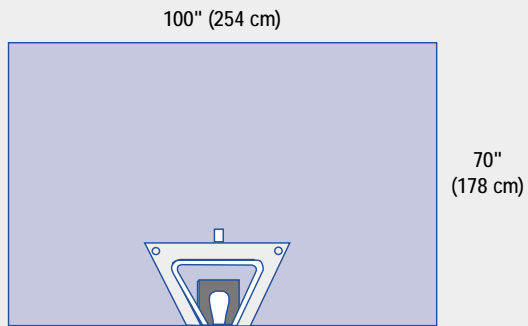
Packaging: 10/cs

Non-Sterile Item Number: SPT-2450S

## Proxima Orthopedic Split Drape DYNJP8301

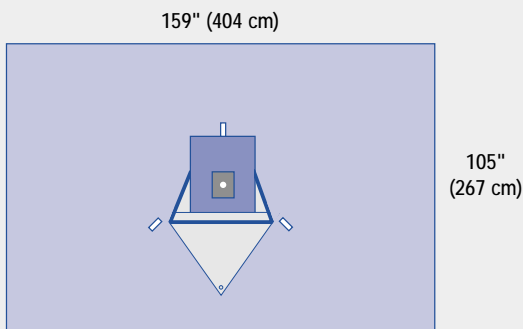
Packaging: 10/cs

Non-Sterile Item Number: SPT-2451S



### Shoulder Split Drape with Pouch

- Contoured shoulder split with adhesive
- Fluid collection pouch with drainage ports
- Velcro-style line holder



### Beach Chair Shoulder Drape

- Absorbent reinforcement, 18" x 28" (46 x 71 cm)
- 3<sup>3</sup>/<sub>4</sub>" (9.5 cm) circular elastic fenestration with adhesive
- Attached fluid collection pouch, 30" x 19" (76 x 48 cm) with port
- Malleable wire former
- Velcro-style line holders

### Proxima Shoulder Split Drape with Pouch and Adhesive

DYNJP8405

*Packaging: 8/cs*

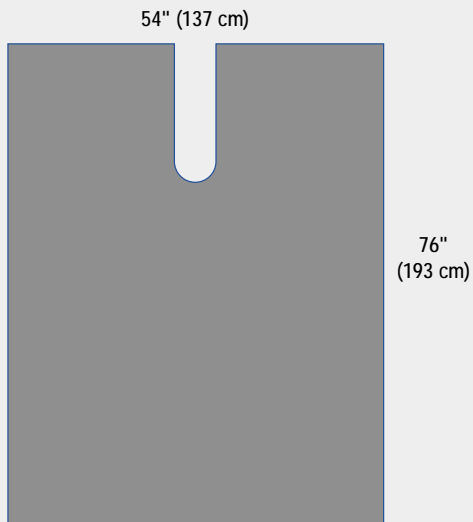
Non-Sterile Item Number: SPT-8405S

### Proxima Beach Chair Shoulder Drape

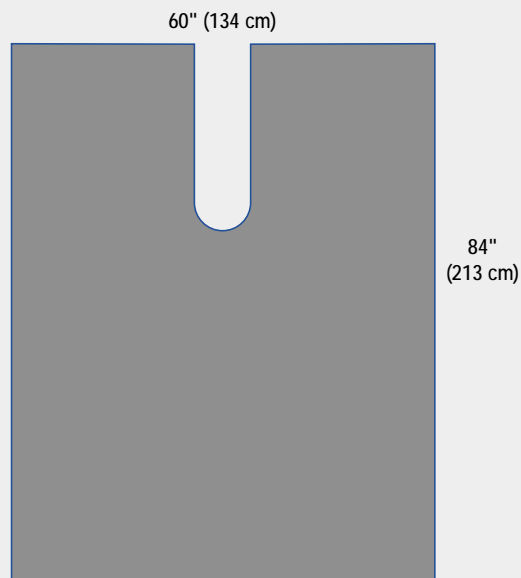
DYNJP8412

*Packaging: 5/cs*

Non-Sterile Item Number: SPT-8404S

**Impervious U-Drape**

- Split with adhesive, 6" x 24" (15 x 61 cm)

**Large Impervious U-Drape**

- Split with adhesive, 8" x 30" (20 x 76 cm)

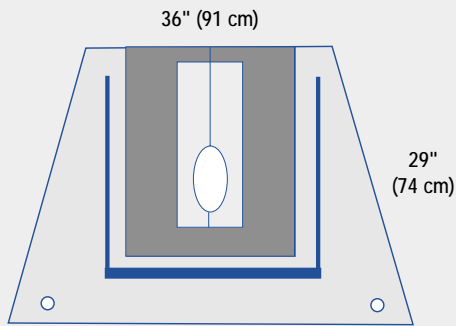
**Proxima Impervious U-Drape****DYNJP2499***Packaging: 24/cs*

Non-Sterile Item Number: 12139

**Proxima Large Impervious U-Drape****DYNJP2430***Packaging: 22/cs*

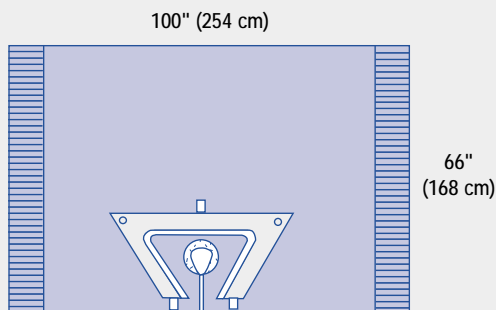
Non-Sterile Item Number: SPT-2430S





### Shoulder U-Pouch

- Oval aperture, 7½" x 10" (19 x 25 cm) with slit and adhesive
- 2 malleable wire strips and 1 foam strip to form pouch
- 2 suction ports with caps



### Shoulder Split with Incise and Fluid Collection Pouch

- Contoured shoulder split with incise
- Fluid collection pouch with drainage ports
- Velcro-style line holders

### Proxima Shoulder U-Pouch

DYNJSD1067

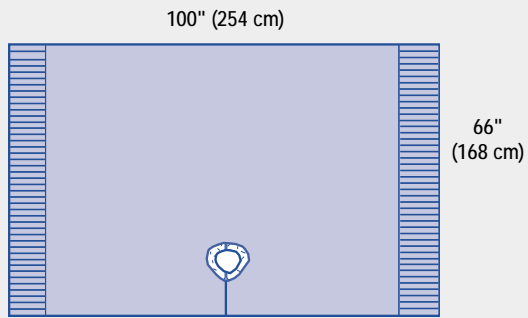
Packaging: 24/cs

### Proxima Shoulder Drape with Incise and Pouch

\*

Non-Sterile Item Number: SPT-8401S

\* *not available sterile*



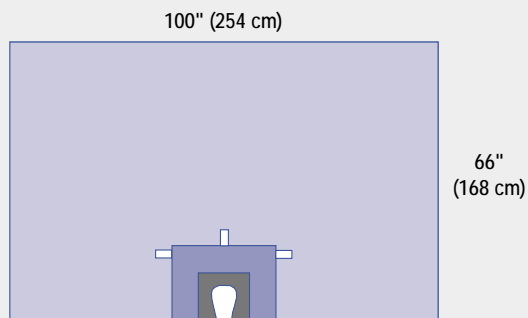
### Shoulder Split Drape with Incise

- Contoured shoulder split with incise

### Proxima Shoulder Split Drape with Incise \*

Non-Sterile Item Number: SPT-8402S

\* *not available sterile*



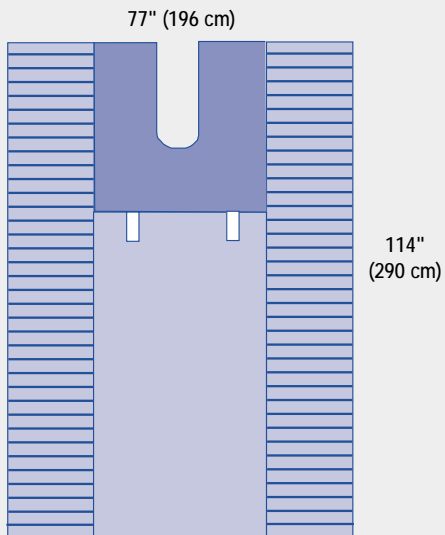
### Shoulder Split Drape

- Contoured shoulder split with adhesive
- Absorbent reinforcement, 18" x 29"
- Velcro-style line holders

### Proxima Shoulder Split Drape \*

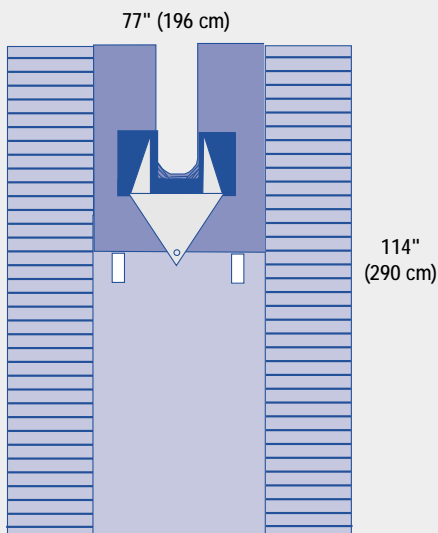
Non-Sterile Item Number: SPT-8403S

\* *not available sterile*



### Body Split Drape for Shoulders

- Absorbent reinforcement, 39" x 40" (99 x 102 cm)
- Split with adhesive, 10" x 25" (25 x 64 cm)
- Velcro-style line holders



### Body Split Drape for Shoulders with Pouch

- Absorbent reinforcement, 39" x 40" (99 x 102 cm)
- Split with adhesive, 10" x 25" (25 x 64 cm)
- Fluid control pouch with side channels and port
- Velcro-style line holders

### Proxima Body Split Drape for Shoulders \*

Non-Sterile Item Number: SPT-2452S

\* *not available sterile*

### Proxima Body Split Drape for Shoulders with Pouch \*

Non-Sterile Item Number: SPT-2454S

\* *not available sterile*



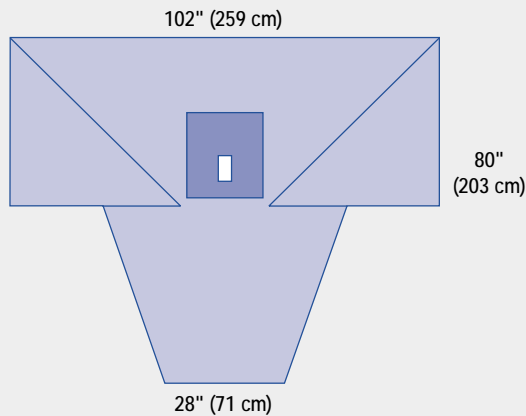


**MEDLINE**

**Proxima**

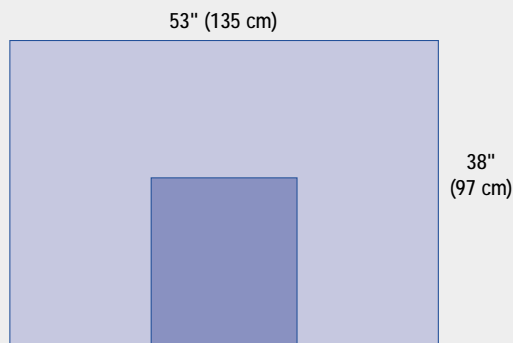
**PERI-GYN**

		Page Number	Case Pack	Cardinal Convertors	Molnlycke Barrier	Kimberly Clark	Maxxim Boundary
<b>Lithotomy Packs</b>							
DYNJP9000	Lithotomy Pack I	183	10	29170	1251	88511/88531	LT045/LT046
DYNJP9010	Lithotomy Pack II	183	12	9175	—	88521	LT025/LT026
DYNJP9020	Lithotomy Pack III	184	10	9174	1253	88541	LT056
DYNJP9030	Lithotomy Pack IV	184	10	29176	—	88551	LT076
DYNJP9040	Lithotomy Pack V	184	10	—	—	—	—
DYNJP9050	Lithotomy Pack VI	185	10	—	1250	—	—
DYNJP9060	Lithotomy Pack VII	185	10	—	0257	—	—
DYNJP9070	Lithotomy Pack VIII	186	10	—	—	—	—
<b>Laparoscopy Packs</b>							
DYNJP9100	Laparoscopy Pack I	190	10	29142	—	88088	LR015/LR016
DYNJP9110	Laparoscopy Pack II	190	8	29145	1259	88222	LR028
DYNJP9120	LAVH Pack	191	4	29475	0252	88224	LR048
DYNJP9130	Laparoscopic Perineal Pack	191	10	29403	—	89220	—
DYNJP9150	Laparoscopy/Pelviscopy Pack	192	6	29404/29406	—	88222	—
DYNJP9160	Laparoscopy Pack IV	192	6	—	0258	—	—
DYNJP9170	Laparoscopy/Pelviscopy Pack II	193	6	—	—	—	—
<b>Laparoscopy Drapes</b>							
DYNJP9101	Proxima Laparoscopy Drape	194	8	19402	—	89119	—
DYNJP9103	Proxima LAVH Drape	194	8	29474	0253	89224	LR050
DYNJP9104	Laparoscopy Drape with Gussets	195	10	—	—	89222	—
<b>Lithotomy Drapes</b>							
DYNJP9001	Proxima Lithotomy Drape with Attached Leggings and Fluid Control Pouch	187	8	29455	1224	—	LT050
DYNJP9002	Proxima Lithotomy Drape with Attached Leggings	187	10	29450	1208	89203	—
DYNJP9003	Proxima Lithotomy Drape with Attached Leggings and Anesthesia Screen	188	12	—	—	—	—
DYNJP9004	Abdominal Lithotomy Drape	188	8	29146	0253	89224	—
<b>Peri-Gyn Accessories</b>							
DYNJP6001	Proxima Underbuttocks Drape with Cuff	197	40	8483	1229	89413	UB015
DYNJP2460	Proxima Leggings	196	20	8420	1255	89401	LG015
DYNJP2461	Proxima X-Large Leggings	196	20	—	0255	—	LG025
DYNJP2462	Proxima Clear Leggings	197	20	8430	—	—	LG030



#### Lithotomy Drape included in pack DYNJP9000

- Absorbent reinforcement, 20" x 18" (51 x 46 cm)
- Fenestration with adhesive, 3" x 6" (8 x 15 cm)
- Attached leggings
- Drape available separately as DYNJP9002, sterile



#### Abdominal Drape included in pack DYNJP9010

- Absorbent reinforcement, 21" x 18" (53 x 46 cm)
- Adhesive

#### Lithotomy Pack I

DYNJP9000

- 1 Hand towel
- 1 Underbuttocks drape with a cuff, 35" x 47" (89 x 119 cm)
- 1 Lithotomy drape, with attached leggings
- 1 Table cover, reinforced poly, 50" x 90" (127 x 229 cm)

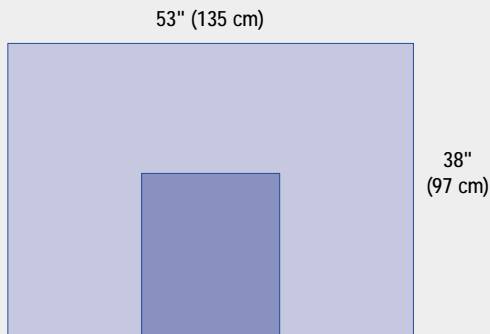
*Packaging: 10/cs*

#### Lithotomy Pack II

DYNJP9010

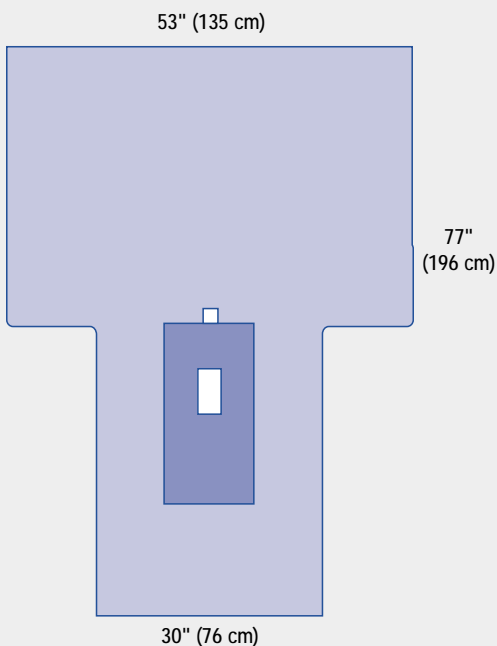
- 2 Hand towels
- 2 Leggings, 29" x 43" (74 x 109 cm)
- 1 Underbuttocks drape with a cuff, 35" x 47" (89 x 119 cm)
- 1 Abdominal drape with adhesive
- 1 Utility drape with adhesive, 15" x 26" (38 x 66 cm)
- 1 Table cover, reinforced poly, 50" x 90" (127 x 229 cm)

*Packaging: 12/cs*



**Abdominal Drape included in packs  
DYNJP9020, DYNJP9040**

- Absorbent reinforcement, 21" x 18" (53 x 46 cm)
- Adhesive



**Lithotomy T-Drape included in pack  
DYNJP9030**

- Absorbent reinforcement, 12" x 23" (30 x 58 cm)
- 3" x 6" (8 x 15 cm) fenestration with adhesive
- Velcro-style line holder

### Lithotomy Pack III

DYNJP9020

- 3 Hand towels
- 1 Gown, large, non-reinforced
- 2 Leggings, 29" x 43" (74 x 109 cm)
- 1 Underbuttocks drape with a cuff, 35" x 47" (89 x 119 cm)
- 1 Abdominal drape with adhesive
- 1 Utility drape with adhesive, 15" x 26" (38 x 66 cm)
- 1 Table cover, reinforced poly, 50" x 90" (127 x 229 cm)

*Packaging: 10/cs*

### Lithotomy Pack IV

DYNJP9030

- 2 Hand towels
- 2 Leggings, 29" x 43" (74 x 109 cm)
- 1 Lithotomy T-drape
- 1 Utility drape, with adhesive, 15" x 26" (38 x 66 cm)
- 1 Table cover, reinforced poly, 50" x 90" (127 x 229 cm)

*Packaging: 10/cs*

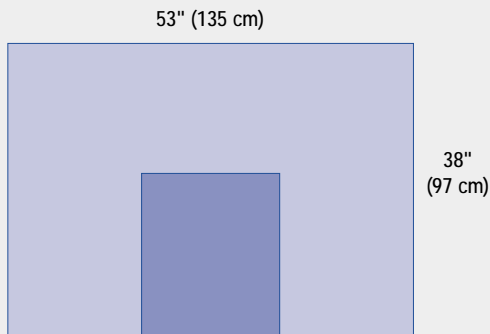
### Lithotomy Pack V

DYNJP9040

- 2 Hand towels
- 1 Underbuttocks drape with a cuff, 35" x 47" (89 x 119 cm)
- 1 Abdominal drape with adhesive
- 1 Utility drape, with adhesive, 15" x 26" (38 x 66 cm)
- 1 Table cover, reinforced poly, 50" x 90" (127 x 229 cm)

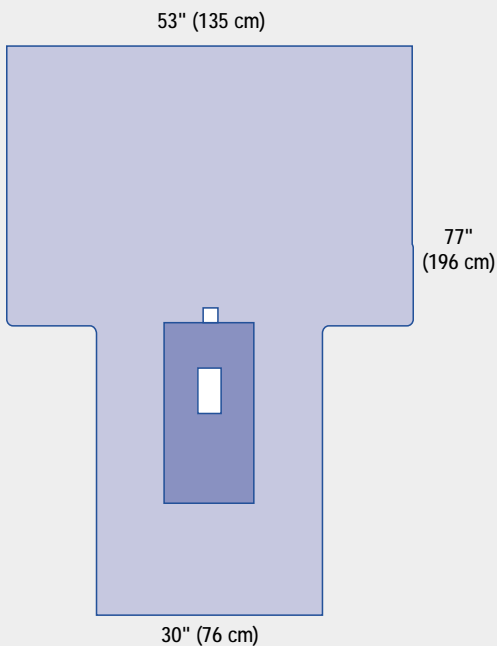
*Packaging: 10/cs*





**Abdominal Drape included in pack  
DYNJP9050**

- Absorbent reinforcement, 21" x 18" (53 x 46 cm)
- Adhesive



**Lithotomy T-Drape included in pack  
DYNJP9060**

- Absorbent reinforcement, 12" x 23" (30 x 58 cm)
- 3" x 6" (8 x 15 cm) fenestration with adhesive
- Velcro-style line holder

**Lithotomy Pack VI**

**DYNJP9050**

- 2 Hand towels
- 2 XL leggings, 33" x 51" (84 x 130 cm)
- 1 Underbuttocks drape with a cuff, 35" x 47" (89 x 119 cm)
- 1 Abdominal drape with adhesive
- 1 Utility drape with adhesive, 15" x 26" (38 x 66 cm)
- 1 Table cover, reinforced poly, 50" x 90" (127 x 229 cm)

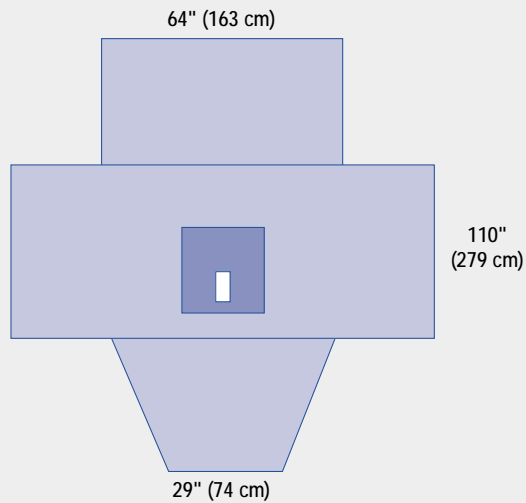
*Packaging: 10/cs*

**Lithotomy Pack VII**

**DYNJP9060**

- 1 Hand towel
- 2 XL Leggings, 33" x 51" (84 x 130 cm)
- 1 Lithotomy T-drape
- 1 Utility drape, with adhesive, 15" x 26" (38 x 66 cm)
- 1 Table cover, reinforced poly, 50" x 90" (127 x 229 cm)

*Packaging: 10/cs*



#### Lithotomy Drape included in DYNJP9070

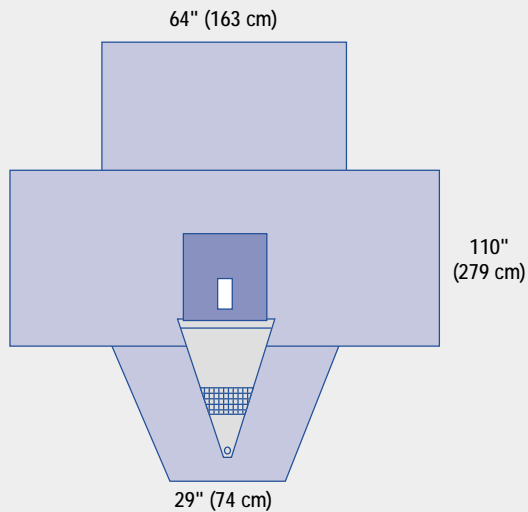
- Absorbent reinforcement, 19" x 18" (48 x 46 cm)
- 3" x 6" (8 x 15 cm) perineal fenestration with adhesive
- Attached leggings
- Anesthesia screen, 64" x 39" (163 x 99 cm)
- Drape available separately as DYNJP9003, sterile

#### Lithotomy Pack VIII

DYNJP9070

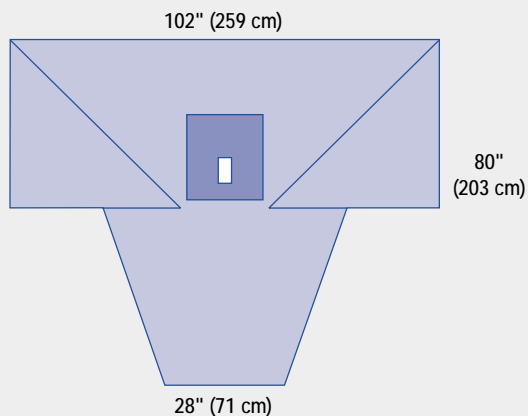
- 1 Absorbent towel
- 1 Underbuttocks drape with a cuff, 35" x 47" (89 x 119 cm)
- 1 Lithotomy drape with attached leggings and anesthesia screen
- 1 Utility drape with adhesive, 15" x 26" (38 x 66 cm)
- 1 Table cover, reinforced poly, 50" x 90" (127 x 229 cm)

Packaging: 10/cs



#### Lithotomy Drape with Fluid Control Pouch

- Absorbent reinforcement, 19" x 18" (48 x 46 cm)
- 3" x 6" (8 x 15 cm) perineal fenestration with adhesive
- Attached leggings
- Clear fluid collection pouch with port
- Anesthesia screen, 64" x 39" (163 x 99 cm)



#### Lithotomy Drape with Attached Leggings

- Absorbent reinforcement, 20" x 18" (51 x 46 cm)
- Fenestration with adhesive, 3" x 6" (8 x 15 cm)
- Attached leggings

#### Proxima Lithotomy Drape with Attached Leggings and Fluid Control Pouch

DYNJP9001

Packaging: 8/cs

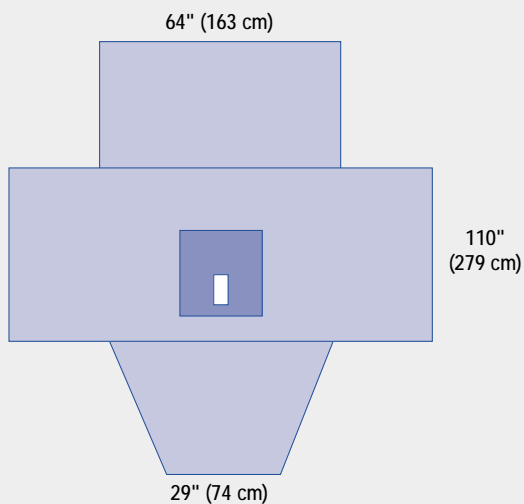
Non-Sterile Item Number: SPT-3580S

#### Proxima Lithotomy Drape with Attached Leggings

DYNJP9002

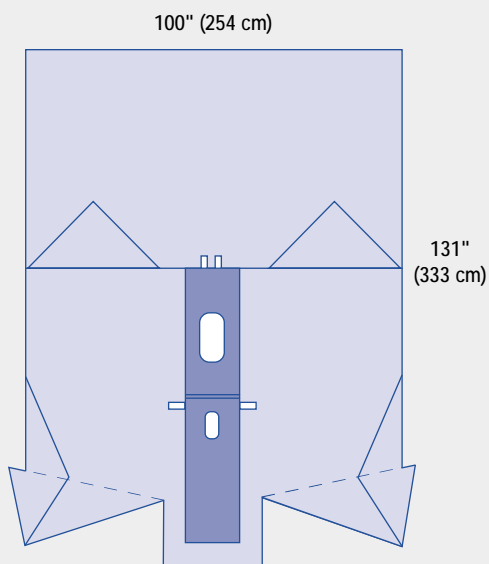
Packaging: 10/cs

Non-Sterile Item Number: SPT-3575S



### Lithotomy Drape with Leggings and Anesthesia Screen

- Absorbent reinforcement, 19" x 18" (48 x 46 cm)
- 3" x 6" (8 x 15 cm) perineal fenestration with adhesive
- Attached leggings
- Anesthesia screen, 64" x 39" (163 x 99 cm)



### Abdominal Lithotomy Drape

- Absorbent reinforcement 14" x 62" (36 x 157 cm)
- 6" x 12" (15 x 30 cm) abdominal fenestration with adhesive
- 3" x 6" (8 x 15 cm) perineal fenestration with privacy flap
- Attached leggings
- Four velcro-style line holders

### Proxima Lithotomy Drape with Attached Leggings and Anesthesia Screen

DYNJP9003

Packaging: 12/cs

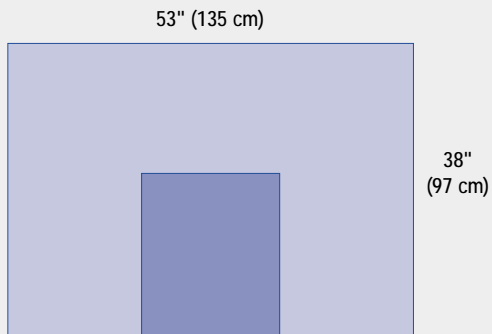
Non-Sterile Item Number: SPT-3590S

### Abdominal Lithotomy Drape

DYNJP9004

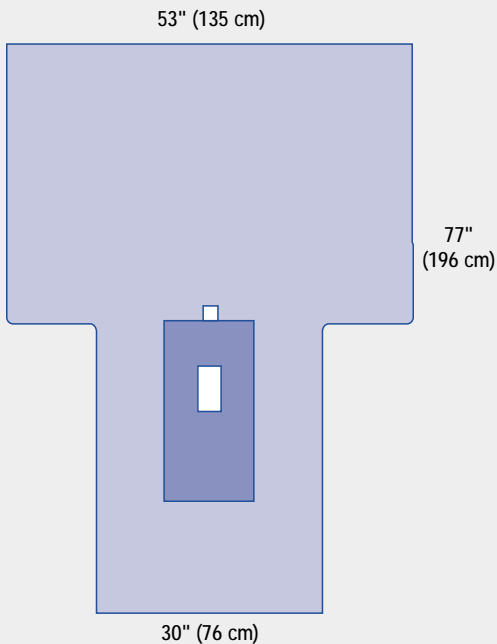
Packaging: 8/cs

Non-Sterile Item Number: SPT-3585S



### Abdominal Drape

- Absorbent reinforcement, 21" x 18" (53 x 46 cm)
- Adhesive



### Lithotomy T-Drape

- Absorbent reinforcement, 12" x 23" (30 x 58 cm)
- 3" x 6" (8 x 15 cm) fenestration with adhesive
- Velcro-style line holder

---

### Proxima Abdominal Drape

\*

Non-Sterile Item Number: SPT-2600S

*\* not available sterile*

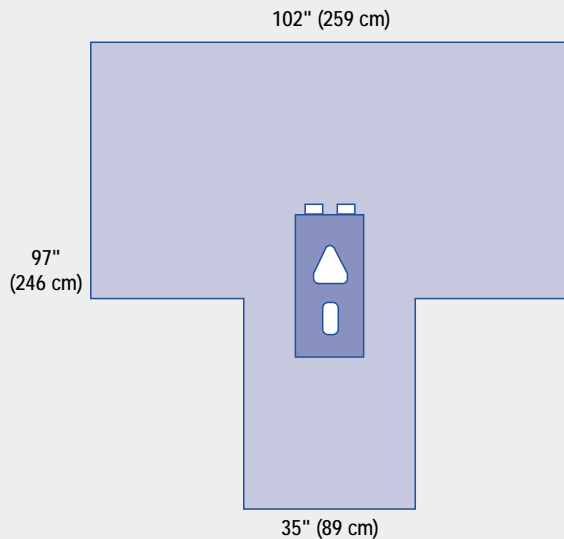
---

### Proxima Lithotomy T-Drape

\*

Non-Sterile Item Number: SPT-3570S

*\* not available sterile*



**Laparoscopy Drape included in packs  
DYNJP9100, DYNJP9110**

- Absorbent reinforcement, 29" x 14" (74 x 36 cm)
- Triangular abdominal fenestration, 7.5" x 8.5" x 8.5" (19 x 22 x 22 cm), with adhesive
- Rectangular perineal fenestration, 3" x 7" (8 x 18 cm) with privacy flap
- Velcro-style line holders
- Drape also available separately as DYNJP9101, sterile

**Laparoscopy Pack I**

**DYNJP9100**

- 1 Hand towel
- 2 Leggings, 29" x 43" (74 x 109 cm)
- 1 Utility drape with adhesive, 15" x 26" (38 x 66 cm)
- 1 Suture bag
- 1 Laparoscopy drape
- 1 Table cover, reinforced poly, 44" x 76" (112 x 193 cm)

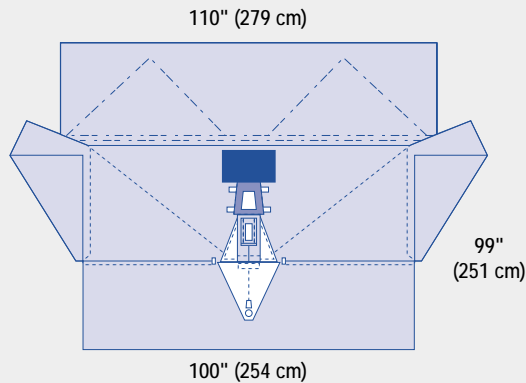
*Packaging: 10/cs*

**Laparoscopy Pack II**

**DYNJP9110**

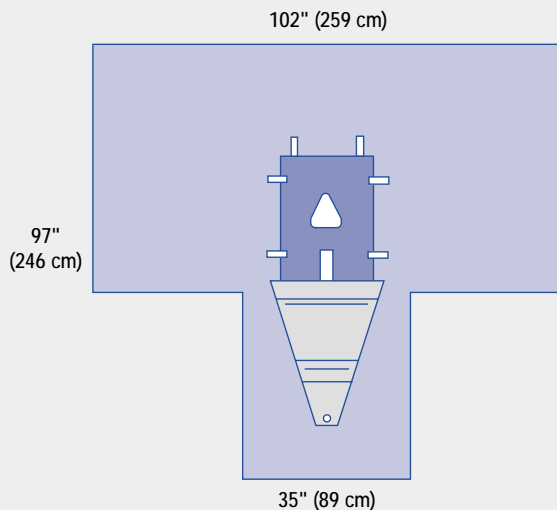
- 1 Gown, large, non-reinforced with towel in outer wrap
- 3 Hand towels
- 1 Gown, large, non-reinforced
- 1 Mayo stand cover, 24" x 53" (61 x 135 cm)
- 2 Leggings, 29" x 43" (74 x 109 cm)
- 1 Underbuttocks drape with cuff, 35" x 47" (89 x 119 cm)
- 1 Utility drape with adhesive, 15" x 26" (38 x 66 cm)
- 1 Laparoscopy drape
- 1 Table cover, reinforced poly, 50" x 90" (127 x 229 cm)

*Packaging: 8/cs*



#### LAVH Drape included in pack DYNJP9120

- Absorbent reinforcement, 12" x 16" (30 x 41 cm) around abdominal fenestration, 12" x 13" (30 x 33 cm) around perineal fenestration
- Abdominal fenestration with adhesive, 6.75" x 9" x 9" (17.15 x 23 x 23 cm)
- Perineal fenestration, 3" x 6" (8 x 15 cm) with privacy flap
- Instrument pad, 10" x 18" (25 x 46 cm)
- Attached leggings
- Fluid control pouch with port and screen
- Four velcro-style line holders on drape, plus two additional for custom placement
- Drape also available separately as DYNJP9103, sterile



#### Laparoscopic Perineal Drape included in pack DYNJP9130

- Absorbent reinforcement, 29" x 14" (74 x 36 cm)
- Triangular abdominal fenestration 8" x 8.75" x 8.75" (20 x 22.2 x 22.2 cm) with adhesive
- Perineal fenestration 3" x 7" (8 x 15 cm) with adhesive and privacy flap
- Velcro-style line holders
- Fluid control pouch with screen and port

#### LAVH Pack

DYNJP9120

- 1 Gown, large, poly reinforced with towel in outer wrap
- 2 Hand towels
- 2 Gowns, X-Large, poly reinforced
- 1 Mayo stand cover, 24" x 53" (61 x 135 cm)
- 1 Underbuttocks drape with cuff, 35" x 47" (89 x 119 cm)
- 1 Suture bag
- 1 LAVH drape with attached leggings
- 1 Table cover, reinforced poly, 50" x 90" (127 x 229 cm)

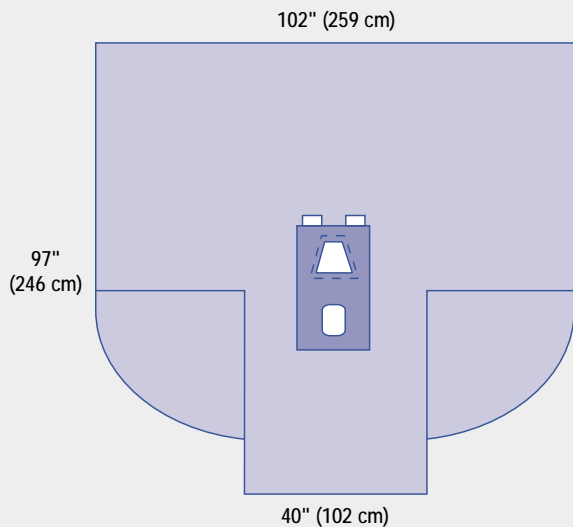
Packaging: 4/cs

#### Laparoscopic Perineal Pack

DYNJP9130

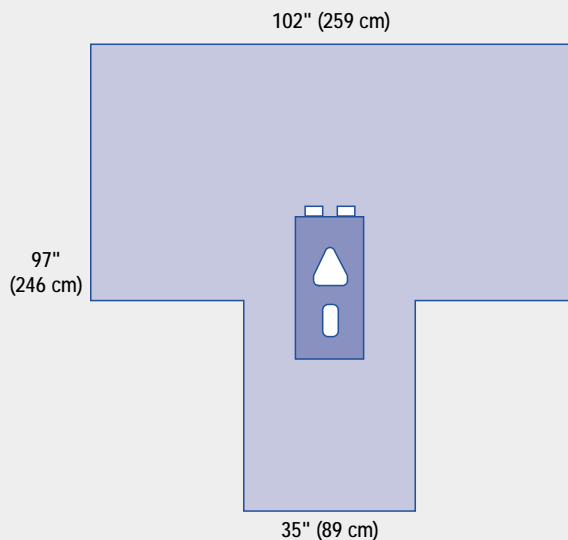
- 1 Laparoscopic perineal drape with pouch
- 2 Leggings, 29" x 43" (74 x 109 cm)
- 1 CSR wrap 36" x 36" (91 x 91 cm)

Packaging: 10/cs



#### Laparoscopy Drape with Gussets included in pack DYNJP9150

- Absorbent reinforcement, 14" x 27" (36 x 69 cm)
- Trapezoidal abdominal fenestration 7" x 7" x 9" (18 x 18 x 23 cm) with adhesive
- Perineal fenestration, 3" x 6" (8 x 15 cm) with privacy flap
- Gussets
- Velcro-style line holders
- Drape also available separately as DYNJP9104, sterile



#### Laparoscopy Drape included in pack DYNJP9160

- Absorbent reinforcement, 29" x 14" (74 x 36 cm)
- Triangular abdominal fenestration, 7.5" x 8.5" x 8.5" (19 x 22 x 22 cm), with adhesive
- Rectangular perineal fenestration, 3" x 7" (8 x 15 cm) with privacy flap
- Velcro-style line holders
- Drape also available separately as DYNJP9101, sterile

#### Laparoscopy/Pelviscopy Pack

DYNJP9150

- 1 Mayo stand cover, 24" x 53" (61 x 135 cm)
- 2 Utility drapes with adhesive, 15" x 26" (38 x 66 cm)
- 1 Under buttocks drape with cuff, 35" x 47" (89 x 119 cm)
- 2 Leggings 29" x 43" (74 x 109 cm)
- 1 Suture bag
- 1 Laparoscopy drape with gussets
- 1 Table cover, reinforced poly, 50" x 90" (127 x 229 cm)

Packaging: 6/cs

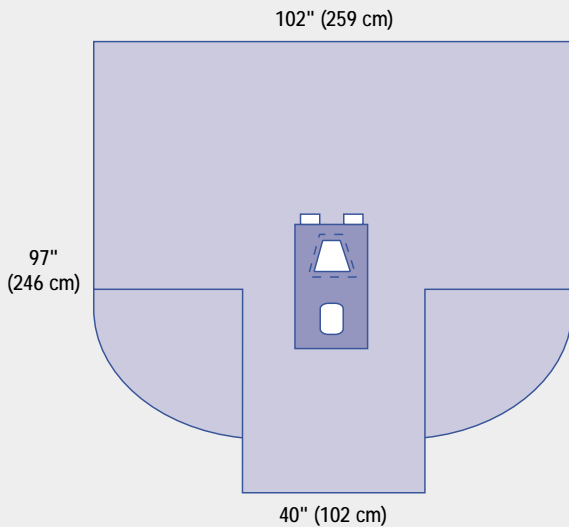
#### Laparoscopy Pack IV

DYNJP9160

- 1 Hand towel
- 1 Utility drape with adhesive, 15" x 26" (38 x 66 cm)
- 1 Suture bag
- 1 Under buttocks drape with cuff, 35" x 47" (89 x 119 cm)
- 2 XL Leggings, 33" x 51" (84 x 130 cm)
- 1 Laparoscopy drape
- 1 Table cover, reinforced poly, 50" x 90" (127 x 229 cm)

Packaging: 6/cs





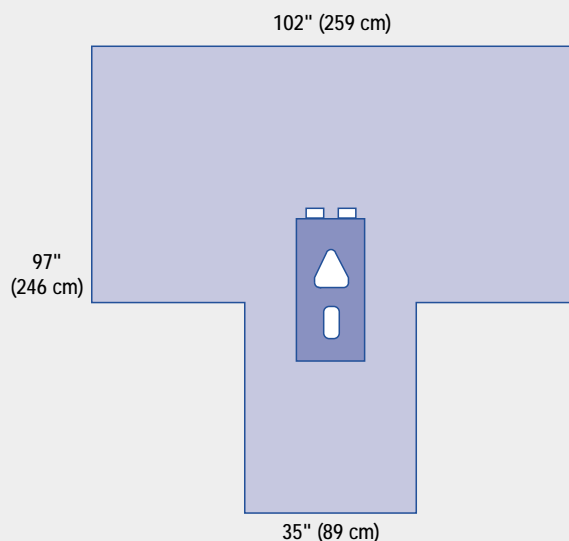
**Laparoscopy Drape with Gussets included in packs DYNJP9150, DYNJP9170**

- Absorbent reinforcement, 14" x 27" (36 x 69 cm)
- Trapezoidal abdominal fenestration, 7" x 7" x 9" (18 x 18 x 23 cm), with adhesive
- Perineal fenestration, 3" x 6" (8 x 15 cm) with privacy flap
- Gussets
- Velcro-style line holders
- Drape also available separately as DYNJP9104, sterile

**Laparoscopy/Pelviscopy Pack II DYNJP9170**

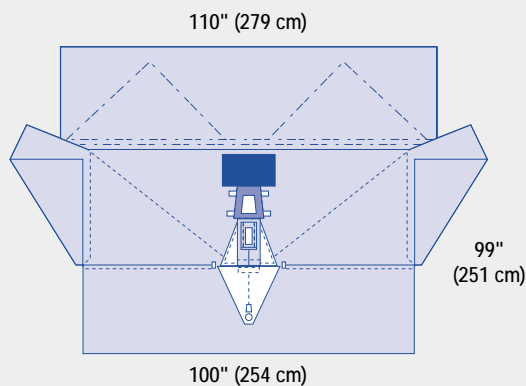
- 1 Mayo stand cover, 24" x 53" (61 x 135 cm)
- 2 Utility drapes with adhesive, 15" x 26" (38 x 66 cm)
- 1 Under buttocks drape with cuff, 35" x 47" (89 x 119 cm)
- 2 XL Leggings, 33" x 51" (84 x 130 cm)
- 1 Suture bag
- 1 Laparoscopy drape with gussets
- 1 Table cover, reinforced poly, 50" x 90" (127 x 229 cm)

*Packaging: 6/cs*



### Laparoscopy Drape

- Absorbent reinforcement, 29" x 14" (74 x 36 cm)
- Triangular abdominal fenestration, 7.5" x 8.5" x 8.5" (19 x 22 x 22 cm) with adhesive
- Rectangular fenestration, 3" x 7" (8 x 15 cm) with privacy flap
- Velcro-style line holders



### LAVH Drape

- Absorbent reinforcement, 12" x 16" (30 x 41 cm) around abdominal fenestration, 12" x 13" (30 x 33 cm) around perineal fenestration
- Abdominal fenestration, 6.75" x 9" x 9" (17.5 x 23 x 23 cm)
- Perineal fenestration 3" x 6" (8 x 15 cm)
- Instrument pad, 10" x 18" (25 x 46 cm)
- Attached leggings
- Fluid control pouch with port and screen
- Four velcro-style line holders on drape plus two additional for custom placement

### Proxima Laparoscopy Drape

DYNJP9101

Packaging: 8/cs

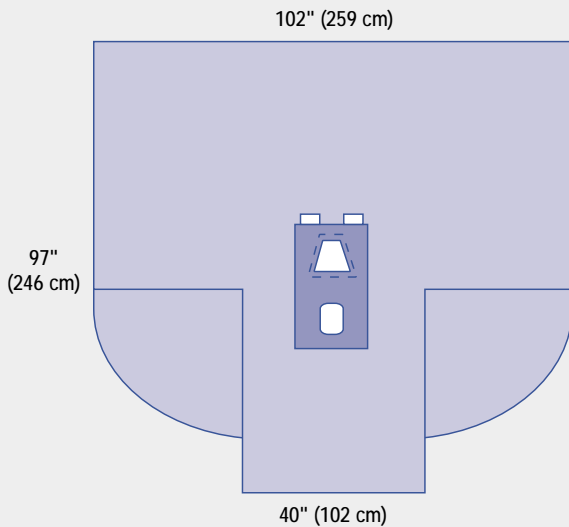
Non-Sterile Item Number: SPT-3711S

### Proxima LAVH Drape

DYNJP9103

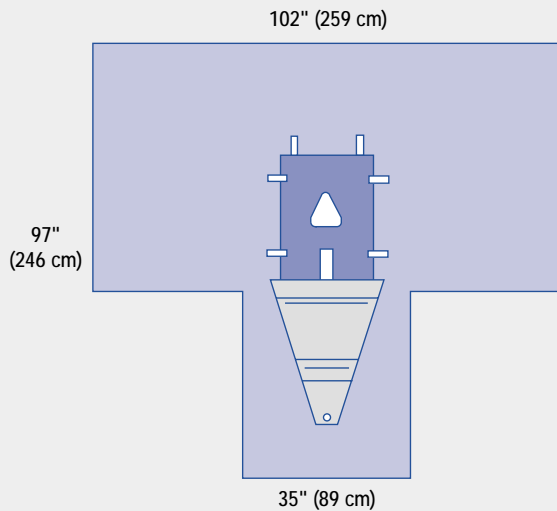
Packaging: 8/cs

Non-Sterile Item Number: SPT-3595S



### Laparoscopic Drape with Gussets

- Absorbent reinforcement, 14" x 27" (36 x 69 cm)
- Trapezoidal abdominal fenestration, 7" x 7" x 9" (18 x 18 x 23 cm), with adhesive
- Perineal fenestration 3" x 6" (8 x 15 cm) with privacy flap
- Gussets
- Velcro-style line holders



### Laparoscopic Perineal Drape

- Absorbent reinforcement, 29" x 14" (74 x 36 cm)
- Triangular abdominal fenestration, 8" x 8.75" x 8.75" (20 x 22.2 x 22.2 cm), with adhesive
- Perineal fenestration 3" x 7" (8 x 18 cm) with adhesive and privacy flap
- Velcro-style line holders
- Fluid control pouch with screen and port

### Laparoscopy Drape with Gussets

DYNJP9104

Packaging: 10/cs

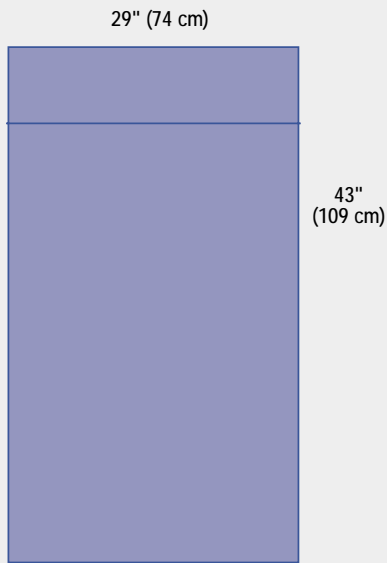
Non-Sterile Item Number: SPT-3712S

### Proxima Laparoscopic Perineal Drape with Pouch

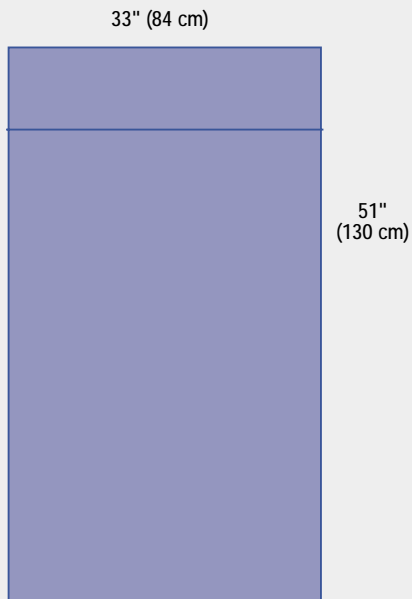
\*

Non-Sterile Item Number: SPT-3751S

\* not available sterile



Leggings



Extra Large Leggings

**Proxima Leggings****DYNJP2460**

2 Leggings, 29" x 43" with 6" cuff (15 cm)

*Packaging: 20/cs*

Non-Sterile Item Number: 12147

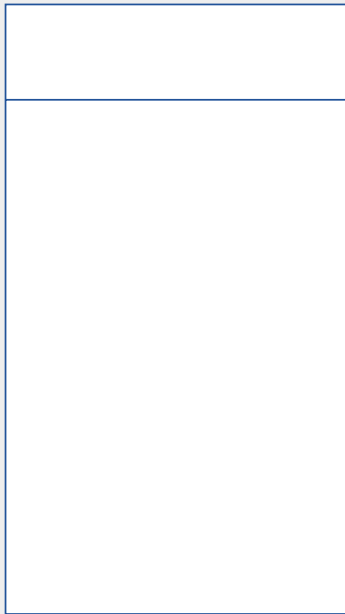
**Proxima X-Large Leggings****DYNJP2461**

2 Leggings, X-Large, 33" x 51" with 6" cuff (15 cm)

*Packaging: 20/cs*

Non-Sterile Item Number: 27478

33" (84 cm)

49"  
(124 cm)**Clear Leggings**

---

**Proxima Clear Leggings****DYNJP2462***Packaging: 40/cs*

Non-Sterile Item Number: SPT-2462

35" (89 cm)

47"  
(119 cm)**Underbuttocks Drape**

- 7" Cuff (18 cm)

---

**Proxima Underbuttocks Drape  
with Cuff****DYNJP6001***Packaging: 40/cs*

Non-Sterile Item Number: SPT-2490



**INCISE DRAPES**

		Case Pack	3M	MCK
<b>Incise Drapes</b>				
DYNJSD1000	Small towel drape 18" x 12" (46 x 30 cm)	40/cs	MMM1000	ISO1000
DYNJSD1000Z	Small towel drape 18" x 12" (46 x 30 cm)	10/bx	MMM1000	ISO1000
DYNJSD1000RL	Small towel drape, on a roll, non-sterile, 50 drapes/roll	4 rl/cs	MMM1000NSR	-----
DYNJSD1003	Isolation bag, 20" x 20" (51 x 51 cm)	10/cs	MMM1003	ISO1003
DYNJSD1010	Large towel drape 18" x 24" (46 x 61 cm)	40/cs	MMM1010	ISO1010
DYNJSD1010Z	Large towel drape 18" x 24" (46 x 61 cm)	10/bx	MMM1010	ISO1010
DYNJSD1010RL	Large towel drape, on a roll-non-sterile, 50 drapes/roll	4 rl/cs	-----	-----
DYNJSD1012	Fluoroscope drape 36" x 44" (91 x 112 cm)	10/cs	MMM1012	ISO1012
DYNJSD1015	Poly U-Drape 48" x 52" (121 x 132 cm), U split 6" x 19" (15 x 48 cm)	40/cs	MMM1015	ISO1015
DYNJSD1015Z	Poly U-Drape 48" x 52" (121 x 132 cm), U split 6" x 19" (15 x 48 cm)	10/bx	MMM1015	ISO1015
DYNJSD1015NS	Poly U-Drape 48" x 52" (121 x 132 cm), U split 6" x 19" (15 x 48 cm), non-sterile	100/cs	-----	-----
DYNJSD1016	Fluid collection pouch, 20" x 19" (51 x 48 cm)	40/cs	MMM1016	ISO1016
DYNJSD1017	Vertical isolation drape 125" x 84" (318 x 213 cm)	15/cs	MMM1017	ISO1017
DYNJSD1018	Instrument pouch 6.75" x 12" (17 x 30 cm)	40/cs	MMM1018	ISO1018
DYNJSD1018Z	Instrument pouch 6.75" x 12" (17x30cm)	10/bx	MMM1018	ISO1018
DYNJSD1020	Small aperture drape 16" x 16" (41 x 41 cm), 2.5" (6 cm) circular aperture	40/cs	MMM1020	ISO1020
DYNJSD1020Z	Small aperture drape 16" x 16" (41 x 41 cm), 2.5" (6 cm) circular aperture	10/bx	MMM1020	ISO1020
DYNJSD1021	Small ophth. incise drape 16" x 16" (41 x 41 cm), Adhesive area 5" x 4.5" (13 x 11 cm)	40/cs	MMM1021	ISO1021
DYNJSD1030	Large aperture drape 33" x 51" (84 x 130 cm), 3" x 2" (8 x 5 cm) oval aperture	40/cs	MMM1030	ISO1030
DYNJSD1030Z	Large aperture drape 33" x 51" (84 x 130 cm), 3" x 2" (8 x 5 cm) oval aperture	10/bx	MMM1030	ISO1030
DYNJSD1035	Small incise drape 6.5" x 7.5" (17 x 19 cm)	40/cs	MMM1035	ISO1035
DYNJSD1040	Medium incise drape 24" x 14" (61 x 36 cm)	40/cs	MMM1040	ISO1040
DYNJSD1040Z	Medium incise drape 24" x 14" (61 x 36 cm)	10/bx	MMM1040	ISO1040
DYNJSD1050	Large incise drape 36" x 17.5" (91 x 44 cm)	40/cs	MMM1050	ISO1050
DYNJSD1050Z	Large incise drape 36" x 17.5" (91 x 44 cm)	10/bx	MMM1050	ISO1050
DYNJSD1051	Extra large incise drape 36" x 33" (91 x 84 cm)	40/cs	MMM1051	ISO1051
DYNJSD1051Z	Extra large incise drape 36" x 33" (91 x 84 cm)	10/bx	MMM1051	ISO1051
DYNJSD1060	Special incise drape 48" x 51" (122 x 130 cm), incise adhesive area 5" x 4.5" (13 x 11 cm)	40/cs	MMM1060	ISO1060
DYNJSD1060Z	Special incise drape 48" x 51" (122 x 130 cm), incise adhesive area 5" x 4.5" (13 x 11 cm)	10/bx	MMM1060	ISO1060
DYNJSD1061	Special incise drape 48" x 51" (122 x 130 cm), incise adhesive area 5" x 4.5", (13 x 11 cm) pouch 12" x 11" (30 x 28 cm)	40/cs	MMM1061	ISO1061
DYNJSD1061Z	Special incise drape 48" x 51" (122 x 130 cm), incise adhesive area 5" x 4.5", (13 x 11 cm) pouch 12" x 11" (30 x 28 cm)	10/bx	MMM1061	ISO1061
DYNJSD1067	Shoulder U Pouch, 35" x 30" (89 x 76 cm)	24/cs	MMM1067	ISO1067
DYNJSD1071	Urological drape 24" x 36" (61 x 91 cm)	10/cs	MMM1071	
<b>Antimicrobial Incise Drapes</b>				
DYNJSD6640	Antimicrobial incise drape 24" x 14" (61 x 36 cm)	40/cs	MMM6640	ISO6640
DYNJSD6640Z	Antimicrobial incise drape 24" x 14" (61 x 36 cm)	10/bx	MMM6640	ISO6640
DYNJSD6648	Antimicrobial incise drape 35 x 23" (89 x 58 cm)	40/cs	MMM6648	ISO6648
DYNJSD6650	Antimicrobial incise drape 32" x 18" (81 x 46 cm)	40/cs	MMM6650	ISO6650
DYNJSD6650Z	Antimicrobial incise drape 32" x 18" (81 x 46 cm)	10/bx	MMM6650	ISO6650
DYNJSD6651	Antimicrobial incise drape 36" x 36" (91 x 91 cm)	40/cs	MMM6651	ISO6651
DYNJSD6651Z	Antimicrobial incise drape 36" x 36" (91 x 91 cm)	10/bx	MMM6651	ISO6651
DYNJSD6617	Antimicrobial vertical isolation drape with pouch	5ea/cs	MMM6617	ISO6617



**ESMARK BANDAGES  
& STOCKINETTES**

		Case Pack
<b>Esmark Bandages–Sterile</b>		
DYNJ05914	3" x 9', Latex free (8 x 23 cm)	20/cs
DYNJ05916	4" x 9', Latex free (10 x 23 cm)	20/cs
DYNJ05917	4" x 12', Latex free (10 x 30 cm)	20/cs
DYNJ05918	6" x 9', Latex free (15 x 23 cm)	20/cs
DYNJ05919	6" x 12', Latex free (15 x 30 cm)	20/cs
DYNJ05114A	3" x 9', Latex (8 x 23 cm)	20/cs
DYNJ05115A	3" x 12', Latex (8 x 30 cm)	20/cs
DYNJ05116A	4" x 9', Latex (10 x 23 cm)	20/cs
DYNJ05117A	4" x 12', Latex (10 x 30 cm)	20/cs
DYNJ05118A	6" x 9', Latex (15 x 23 cm)	20/cs
DYNJ05119A	6" x 12', Latex (15 x 30 cm)	20/cs
<b>Impervious Stockinettes–Sterile</b>		
NON22520	6" x 30" (15 x 76 cm)	24/cs
NON22530	9" x 36" (23 x 91 cm)	15/cs
NON22535	12" x 48" (30 x 122 cm)	10/cs
NON22540	14" x 48" (36 x 122 cm)	10/cs
<b>Single Ply Stockinettes–Sterile</b>		
NON22360	4" x 48" (10 x 122 cm)	30/cs
NON22365	4" x 54" (10 x 137 cm)	28/cs
NON22370	6" x 48" (15 x 122 cm)	20/cs
NON22375	6" x 54" (15 x 137 cm)	20/cs
<b>Double Ply Stockinettes–Sterile</b>		
NON22400	2" x 36" (5 x 91 cm)	36/cs
NON22410	4" x 48" (10 x 122 cm)	24/cs
NON22415	4" x 54" (10 x 137 cm)	20/cs
NON22420	6" x 48" (15 x 122 cm)	18/cs
NON22425	6" x 54" (15 x 137 cm)	16/cs
NON22430	8" x 48" (20 x 122 cm)	12/cs
<b>Bias-Cut Stockinettes–Sterile</b>		
NON22630	3" x 4 yds (8 cm x 306 m)	20/cs
NON22640	4" x 4 yds (10 cm x 3.6 m)	20/cs
NON22660	6" x 4 yds (15 cm x 3.6 m)	20/cs
<b>Tubular Stockinettes–Non-Sterile</b>		
MDT221200	2" x 25 yds (5 cm x 22.5 m)	1 roll/cs
MDT221203	3" x 25 yds (8 cm x 22.5 m)	1 roll/cs
MDT221204	4" x 25 yds (10 cm x 22.5 m)	1 roll/cs
MDT221206	6" x 25 yds (15 cm x 22.5 m)	1 roll/cs
MDT221208	8" x 25 yds (20 cm x 22.5 m)	4 rolls/cs
MDT221210	10" x 25 yds (25 cm x 22.5 m)	4 rolls/cs
MDT221212	12" x 25 yds (30 cm x 22.5 m)	2 rolls/cs
<b>Bias-Cut Stockinettes–Non-Sterile</b>		
MDT221303	3" x 50 yds (8 cm x 45 m)	12 rolls/cs
MDT221304	4" x 50 yds (10 cm x 45 m)	10 rolls/cs
MDT221306	6" x 50 yds (15 cm x 45 m)	6 rolls/cs





05136.....	49	DYNJ05916 .....	202	DYNJP2302 (SPT-2302).....	11, 26	DYNJP2503 (SPT-2503).....	10, 30
05166.....	49	DYNJ05917 .....	202	DYNJP2303 (SPT-2303).....	11, 26	DYNJP2510 .....	36, 49
05528.....	49	DYNJ05918 .....	202	DYNJP2304 (SPT-2304).....	11, 27	DYNJP2601 (SPT-2601).....	10, 30
05579.....	49	DYNJ05919 .....	202	DYNJP2309 .....	36, 49	DYNJP2602 (SPT-2602).....	10, 30
05897.....	49	DYNJP1000 .....	36, 37, 41	DYNJP2311 .....	36, 49	DYNJP2603 (SPT-2603).....	10, 30
05902.....	108	DYNJP10001 (SPT-10001S)	.....	DYNJP2312 .....	36, 49	DYNJP2701 (SPT-2701).....	11, 14
06712.....	49	.....	116, 125	DYNJP2313 .....	36, 49	DYNJP2702 (SPT-2702).....	11, 14
07164.....	49	DYNJP10010 (SPT-10010S)	.....	DYNJP2314 .....	36, 49	DYNJP2703 (SPT-2703).....	11, 14
07479.....	108	.....	116, 125	DYNJP2316 .....	36, 49	DYNJP2704 (SPT-2704).....	11, 14
08454.....	104	DYNJP1005 .....	36, 37, 41	DYNJP2317 .....	36, 49	DYNJP2705 (SPT-2705).....	11, 14
08902.....	49	DYNJP1010 .....	36, 37, 41	DYNJP2318 .....	36, 49	DYNJP2706 (SPT-2706).....	11, 14
09440.....	49	DYNJP1015 .....	36, 37, 41	DYNJP2319 .....	36, 49	DYNJP2707 (SPT-2707).....	11, 14
10301 .....	68, 104	DYNJP1020 .....	36, 38, 41	DYNJP2320 .....	36, 49	DYNJP2708 (SPT-2708).....	11, 14
11348.....	49	DYNJP1025 .....	36, 38, 41	DYNJP2322 .....	36, 49	DYNJP2709 (SPT-2709).....	11, 14
12139 .....	139, 157, 165	DYNJP1030 .....	36, 38, 41	DYNJP2401 (SPT-2401).....	10, 30	DYNJP2791 .....	11, 33
12147 .....	49, 97, 105, 196	DYNJP1035 .....	36, 39, 41	DYNJP2402 (SPT-2402).....	10, 30	DYNJP2792 .....	11, 33
12496.....	49	DYNJP1036 .....	36, 39, 41	DYNJP2403 (SPT-2403).....	10, 30	DYNJP2793 .....	11, 33
14184.....	49	DYNJP1038 .....	36, 39, 41	DYNJP2405 .....	36, 49	DYNJP2794 .....	11, 33
14185.....	49	DYNJP1040 .....	36, 40, 41	DYNJP2406 .....	36, 49	DYNJP2795 .....	11, 33
15648.....	49	DYNJP1045 .....	36, 40, 41	DYNJP2408 .....	36, 49	DYNJP2796 .....	11, 33
19298.....	49	DYNJP1046 .....	36, 40, 41	DYNJP2410 .....	36, 49	DYNJP2801 (SPT-2801).....	11, 15
19300.....	49	DYNJP1050 .....	36, 42	DYNJP2411 .....	36, 49	DYNJP2802 (SPT-2802).....	11, 15
19310.....	26	DYNJP1055 .....	36, 42	DYNJP2412 .....	36, 49	DYNJP2803 (SPT-2803).....	11, 15
20868 .....	49, 106	DYNJP1060 .....	36, 43	DYNJP2413 (20868)	.....	DYNJP2804 (SPT-2804).....	11, 15
21394.....	26	DYNJP1065 .....	36, 44	.....	36, 49, 100, 106	DYNJP2805 (SPT-2805).....	11, 15
25668.....	88	DYNJP1070 .....	36, 44	DYNJP2414 .....	36, 49	DYNJP2806 (SPT-2806).....	11, 15
27082.....	84	DYNJP2000 .....	36, 49	DYNJP2415 .....	36, 49	DYNJP2807 (SPT-2807).....	11, 15
27083.....	84	DYNJP2001 (SPT-2001).....	10, 18	DYNJP2416 .....	36, 49	DYNJP2808 (SPT-2808).....	11, 15
27084.....	85	DYNJP2002 (SPT-2002).....	10, 18	DYNJP2417 .....	36, 49	DYNJP2809 (SPT-2809).....	11, 15
27478 .....	49, 97, 105, 196	DYNJP2003 (SPT-2003).....	10, 18	DYNJP2418 .....	36, 49	DYNJP2901 .....	10, 32
28749.....	87	DYNJP2004 (SPT-2004).....	10, 18	DYNJP2419 .....	36, 49	DYNJP2902 .....	10, 32
29522.....	49	DYNJP2005 (SPT-2005).....	10, 18	DYNJP2420 (SPT-2420S)	.....	DYNJP2931 .....	11, 32
29673.....	49	DYNJP2101 (SPT-2101).....	10, 19	.....	52, 69	DYNJP2932 .....	11, 32
29676.....	122	DYNJP2102 (SPT-2102).....	10, 19	DYNJP2430 (SPT-2430S)	.....	DYNJP2933 .....	11, 32
29677.....	122	DYNJP2103 (SPT-2103).....	10, 19	.....	129, 132	DYNJP3000 .....	52, 53
30023.....	123	DYNJP2104 (SPT-2104).....	10, 23	.....	140, 157, 160, 166, 168, 176	DYNJP3002 (SPT-2535S)	.....
30024.....	123	DYNJP2105 (SPT-2105).....	10, 23	DYNJP2460 (12147)	.....	.....	52, 59
31357.....	49	DYNJP2201 (SPT-2201).....	10, 20	.....	36, 49, 90, 97, 100, 105, 182, 196	DYNJP3003 (SPT-3110S)	.....
31358.....	49	DYNJP2202 (SPT-2202).....	10, 20	DYNJP2461 (27478)	.....	.....	52, 59
31359.....	49	DYNJP2203 (SPT-2203).....	10, 20	.....	36, 49, 90, 97, 100, 105, 182, 196	DYNJP3004 (SPT-3004S)	.....
31361.....	49	DYNJP2204 (SPT-2204).....	10, 20	DYNJP2462 (SPT-2462)	.....	.....	52, 61
31362.....	49	DYNJP2205 (SPT-2205).....	10, 20	.....	36, 49, 90, 98, 100, 106, 182, 197	DYNJP3005 (SPT-3140S)	.....
31374.....	49	DYNJP2206 (SPT-2206).....	10, 20	DYNJP2491 (SPT-2540S)	.....	.....	52, 60
31405.....	49	DYNJP2207 (SPT-2207).....	10, 21	.....	52, 67	DYNJP3007 (SPT-3160S)	.....
31406.....	49	DYNJP2208 (SPT-2208).....	10, 21	DYNJP2492 (SPT-2545S)	.....	.....	52, 62
61024.....	49	DYNJP2209 (SPT-2209).....	10, 21	.....	52, 67	DYNJP3008 (SPT-3130S)	.....
61025.....	49	DYNJP2210 .....	36, 49	DYNJP2493 (SPT-3190S)	.....	.....	52, 61
61026.....	49	DYNJP2212 (SPT-2212).....	10, 21	.....	52, 68	DYNJP3009 (SPT-2545S)	.....
DYNJ05114A.....	202	DYNJP2213 (SPT-2213).....	10, 23	DYNJP2494 .....	36, 49	.....	52, 62
DYNJ05115A.....	202	DYNJP2214 (SPT-2214).....	10, 23	DYNJP2497 .....	36, 49	DYNJP3010 .....	52, 53
DYNJ05116A.....	202	DYNJP2215 .....	36, 49	DYNJP2498 .....	36	DYNJP3011 (SPT-3170S)	.....
DYNJ05117A.....	202	DYNJP2216 .....	36, 49	DYNJP2498 (SPT-2450S)	.....	.....	52, 60
DYNJ05118A.....	202	DYNJP2217 .....	36, 49	.....	36, 46, 129, 160, 165, 168, 174	DYNJP3020 .....	52, 54
DYNJ05119A.....	202	DYNJP2218 .....	36, 49	DYNJP2499 (12139)	.....	.....	52, 54
DYNJ05914 .....	202	DYNJP2220 .....	36, 49	.....	129, 132	DYNJP3030 .....	52, 54
		DYNJP2230 .....	36, 49	.....	139, 157, 160, 165, 168, 176	DYNJP3040 .....	52, 55
		DYNJP2301 (SPT-2301).....	11, 26	DYNJP2500 .....	36, 49	DYNJP3050 .....	52, 55
				DYNJP2501 (SPT-2501).....	10, 30	DYNJP3060 .....	52, 56
				DYNJP2502 (SPT-2502).....	10, 30		

DYNJP3070 .....	52, 56	DYNJP5060 .....	90, 94	DYNJP8100 .....	128, 142, 143	DYNJP9030 .....	182, 184
DYNJP3080 .....	52, 57	DYNJP5070 .....	90, 94	DYNJP8101 (SPT-2560S)		DYNJP9040 .....	182, 184
DYNJP3090 .....	52, 57	DYNJP6000 .....	100, 101	.....	129, 142, 148	DYNJP9050 .....	182, 185
DYNJP3095 .....	52, 58	DYNJP6001 (SPT-2490)		DYNJP8102 (SPT-2565S)		DYNJP9060 .....	182, 185
DYNJP3100 .....	52, 64	.....	100, 104, 182, 197	.....	129, 142, 148	DYNJP9070 .....	182, 186
DYNJP3101 (SPT-3815S)		DYNJP6002 (08454).....	100, 104	DYNJP8110 .....	128, 142, 143	DYNJP9100 .....	182, 190
.....	52, 65	DYNJP6003 (10301)		DYNJP8120 .....	128, 142, 144	DYNJP9101 (SPT-3711S)	
DYNJP3102 (SPT-3820S)		.....	52, 68, 100, 104	DYNJP8130 .....	128, 142, 144	.....	182, 194
.....	52, 65	DYNJP6010 .....	100, 101	DYNJP8130HD .....	128, 142, 145	DYNJP9103 (SPT-3595S)	
DYNJP3103 (SPT-3830S)		DYNJP6020 .....	100, 102	DYNJP8140 .....	128, 142, 146	.....	182, 194
.....	52, 66	DYNJP6030 .....	100, 103	DYNJP8150HD .....	128, 142, 146	DYNJP9104 (SPT-3712S)	
DYNJP3104 (SPT-3165S)		DYNJP6040 .....	100, 103	DYNJP8200 .....	128, 150, 151	.....	182, 195
.....	52, 63	DYNJP6100 .....	100, 109	DYNJP8200HD .....	128, 150, 151	DYNJP9110 .....	182, 190
DYNJP3105 (SPT-3840S)		DYNJP6101 (SPT-2630S)		DYNJP8201 (SPT-8290S)		DYNJP9120 .....	182, 191
.....	52, 66	.....	100, 112	.....	129, 150, 156	DYNJP9130 .....	182, 191
DYNJP3107 (SPT-3167S)		DYNJP6102 (SPT-2640S)		DYNJP8202 (SPT-8280S)		DYNJP9150 .....	182, 192
.....	52, 63	.....	100, 112	.....	129, 150, 156	DYNJP9160 .....	182, 192
DYNJP3110 .....	52, 64	DYNJP6110 .....	100, 109	DYNJP8210 .....	128, 150, 152	DYNJP9170 .....	182, 193
DYNJP4000 .....	72, 73	DYNJP6120 .....	100, 110	DYNJP8210HD .....	128, 150, 152	DYNJSD1000 .....	200
DYNJP4001 (SPT-4200S)		DYNJP6130 .....	100, 111	DYNJP8220 .....	128, 150, 153	DYNJSD1000RL.....	200
.....	72, 77	DYNJP7000 .....	116, 117	DYNJP8220HD .....	128, 150, 153	DYNJSD1000Z .....	200
DYNJP4002 (SPT-4205S)		DYNJP7001 (SPT-5590S)		DYNJP8230 .....	128, 150, 154	DYNJSD1003 .....	200
.....	36, 129, 160, 45, 72, 77, 164	.....	116, 119	DYNJP8230HD .....	128, 150, 154	DYNJSD1010 .....	200
DYNJP4003 (SPT-4202S)		DYNJP7002 (SPT-2510S)		DYNJP8240 .....	128, 150, 155	DYNJSD1010RL.....	200
.....	72, 78	.....	116, 119	DYNJP8240HD .....	128, 150, 155	DYNJSD1010Z .....	200
DYNJP4004 (SPT-4203S)		DYNJP7003 (SPT-2520S)		DYNJP8300 .....	128, 160, 161	DYNJSD1012 .....	200
.....	72, 79	.....	116, 120	DYNJP8301 (SPT-2451S)		DYNJSD1015 .....	200
DYNJP4005 (SPT-4208S)		DYNJP7004 (29676).....	116, 122	.....	164, 174	DYNJSD1015NS .....	200
.....	72, 80	DYNJP7005 (29677).....	116, 122	DYNJP8310 .....	128, 160, 161	DYNJSD1015Z .....	200
DYNJP4006 (SPT-4201S)		DYNJP7006 (30023).....	116, 123	DYNJP8320 .....	128, 160, 162	DYNJSD1016 .....	200
DYNJP4007 (SPT-4204S)		DYNJP7007 (30024).....	116, 123	DYNJP8320HD .....	128, 160, 162	DYNJSD1017 .....	200
.....	72, 81	DYNJP7008 (SPT-5610S)		DYNJP8330 .....	128, 160, 163	DYNJSD1018 .....	200
DYNJP4008 (SPT-4214S)		.....	116, 121	DYNJP8330HD .....	128, 160, 163	DYNJSD1018Z .....	200
DYNJP4009 (SPT-4218S)		DYNJP7009 (SPT-5600S)		DYNJP8400 .....	129, 168, 169	DYNJSD1020 .....	200
.....	72, 79	.....	116, 121	DYNJP8401 .....	129, 168, 169	DYNJSD1020Z .....	200
DYNJP4010 .....	72, 73	DYNJP7010 .....	116, 117	DYNJP8405.....	129	DYNJSD1021 .....	200
DYNJP4016 (SPT-4216S)		DYNJP7011 (SPT-7011S)		DYNJP8405 (SPT-8405S)		DYNJSD1030 .....	200
.....	81	.....	116, 124	.....	168, 175	DYNJSD1030Z .....	200
DYNJP4020 .....	72, 74	DYNJP7013 (SPT-7013S)		DYNJP8410 .....	129, 168, 170	DYNJSD1035 .....	200
DYNJP4030 .....	72, 75	.....	116, 124	DYNJP8410HD .....	129, 168, 170	DYNJSD1040 .....	200
DYNJP4040 .....	72, 76	DYNJP7020 .....	116, 118	DYNJP8411 .....	129, 168, 170	DYNJSD1040Z .....	200
DYNJP4101 (27082) .....	72, 84	DYNJP7030 .....	116, 118	DYNJP8412 (SPT-8404S)		DYNJSD1050 .....	200
DYNJP4102 (27083) .....	72, 84	DYNJP8000 .....	128, 132, 133	.....	129, 168, 175	DYNJSD1050Z .....	200
DYNJP4104 (27084) .....	72, 85	DYNJP8000HD .....	128, 132, 133	DYNJP8420 .....	129, 168, 171	DYNJSD1051 .....	200
DYNJP4105 (28749) .....	72, 87	DYNJP8002 (SPT-2550S)		DYNJP8421 .....	129, 168, 171	DYNJSD1051Z .....	200
DYNJP4106 (SPT-4106S)		.....	129, 132, 137, 142, 147	DYNJP8430 .....	129, 168, 173	DYNJSD1060 .....	200
.....	72, 87	DYNJP8003 (SPT-2555S)		DYNJP8440 .....	129, 168, 172	DYNJSD1060Z .....	200
DYNJP4107 (25668) .....	72, 88	.....	129, 132, 137	DYNJP8441 .....	129, 168, 172	DYNJSD1061 .....	200
DYNJP4112 (SPT-4112S)		DYNJP8004 (SPT-8620S)		DYNJP8450 .....	129, 168, 173	DYNJSD1061Z .....	200
.....	72, 85	.....	129, 132, 138	DYNJP9000 .....	182, 183	DYNJSD1067 .....	129, 168, 177, 200
DYNJP4113 (SPT-4113S)		DYNJP8005 (SPT-8610S)		DYNJP9001 .....	182, 187	DYNJSD1071 .....	200
.....	72, 86	.....	129, 132, 139	DYNJP9002 .....	182, 187	DYNJSD6617 .....	200
DYNJP4114 (SPT-4114).....	72, 86	DYNJP8006 (SPT-8630S)		DYNJP9003 (SPT-3590S)		DYNJSD6640 .....	200
DYNJP4215 (SPT-4215S).....	36, 45	.....	129, 132, 138	.....	182, 188	DYNJSD6640Z .....	200
DYNJP5000 .....	90, 91	DYNJP8010 .....	128, 132, 134	DYNJP9004 (SPT-3585S)		.....	182, 188
DYNJP5001 (SPT-5090S).....	90, 95	DYNJP8020 .....	128, 132, 134	.....	182, 188	DYNJSD6648 .....	200
DYNJP5010 .....	90, 91	DYNJP8030 .....	128, 132, 135	DYNJP9010 .....	182, 183	DYNJSD6650 .....	200
DYNJP5020 .....	90, 92	DYNJP8030HD .....	128, 132, 135	DYNJP9020 .....	182, 184		
DYNJP5040 .....	90, 93	DYNJP8040 .....	128, 132, 136				
DYNJP5050 .....	90, 93						

DYNJSD6650Z .....	200	SPT-2214 .....	23	SPT-2706 .....	14	SPT-5092S .....	96
DYNJSD6651 .....	200	SPT-2217 .....	49	SPT-2707 .....	14	SPT-5590S .....	119
DYNJSD6651Z .....	200	SPT-2303 .....	26	SPT-2708 .....	14	SPT-5591S .....	121
MDT221200 .....	202	SPT-2304 .....	26	SPT-2709 .....	14	SPT-5600S .....	121
MDT221203 .....	202	SPT-2312 .....	49	SPT-2801 .....	15	SPT-5610S .....	121
MDT221204 .....	202	SPT-2314 .....	49	SPT-2802 .....	15	SPT-7011S .....	124
MDT221206 .....	202	SPT-2317 .....	49	SPT-2803 .....	15	SPT-7013S .....	124
MDT221208 .....	202	SPT-2318 .....	49	SPT-2804 .....	15	SPT-8270S .....	158
MDT221210 .....	202	SPT-2319 .....	49	SPT-2805 .....	15	SPT-8280S .....	156
MDT221212 .....	202	SPT-2320 .....	49	SPT-2806 .....	15	SPT-8290S .....	156
MDT221303 .....	202	SPT-2321 .....	49	SPT-2807 .....	15	SPT-8401S .....	177
MDT221304 .....	202	SPT-2322 .....	49	SPT-2808 .....	15	SPT-8402S .....	178
MDT221306 .....	202	SPT-2323 .....	49	SPT-2809 .....	15	SPT-8403S .....	178
NON22360 .....	202	SPT-2401SMS .....	30	SPT-3004S .....	61	SPT-8404S .....	175
NON22365 .....	202	SPT-2402SMS .....	30	SPT-3110S .....	59	SPT-8405S .....	175
NON22370 .....	202	SPT-2403SMS .....	30	SPT-3130S .....	61	SPT-8610S .....	139
NON22375 .....	202	SPT-2420S .....	69	SPT-3140S .....	60	SPT-8620S .....	138
NON22400 .....	202	SPT-2430S .....	140, 157, 166, 176	SPT-3160S .....	62	SPT-8630S .....	138
NON22410 .....	202	SPT-2450S .....	46, 165, 174	SPT-3165S .....	63	SPT-DRAPLGS .....	49
NON22415 .....	202	SPT-2451S .....	164, 174	SPT-3167S .....	63	SPT-DRAPXLS .....	49
NON22420 .....	202	SPT-2452S .....	179	SPT-3170S .....	60		
NON22425 .....	202	SPT-2453S .....	48	SPT-3190S .....	68		
NON22430 .....	202	SPT-2454S .....	179	SPT-3570S .....	189		
NON22520 .....	202	SPT-2455S .....	166	SPT-3575S .....	187		
36, 49, 132, 142, 150, 160, 168, 202		SPT-2462 .....	49, 98, 106, 197	SPT-3580S .....	187		
NON22530 .....	202	SPT-2490 .....	104, 197	SPT-3585S .....	188		
36, 49, 132, 142, 150, 160, 168, 202		SPT-2491 .....	49	SPT-3590S .....	188		
NON22535 .....	202	SPT-2493 .....	107	SPT-3595S .....	194		
36, 49, 132, 142, 150, 160, 168, 202		SPT-2495 .....	107	SPT-3711S .....	194		
NON22540 .....	36, 49, 202	SPT-2501SMS .....	30	SPT-3712S .....	195		
NON22630 .....	202	SPT-2502SMS .....	30	SPT-3751S .....	195		
NON22640 .....	202	SPT-2503SMS .....	30	SPT-3815S .....	65		
NON22660 .....	202	SPT-2505 .....	49	SPT-3820S .....	65		
SPT-10001S .....	125	SPT-2510S .....	119	SPT-3830S .....	66		
SPT-10010S .....	125	SPT-2520S .....	120	SPT-3840S .....	66		
SPT-2001 .....	18	SPT-2535S .....	59	SPT-4106S .....	87		
SPT-2002 .....	18	SPT-2540S .....	67	SPT-4112S .....	85		
SPT-2003 .....	18	SPT-2545S .....	62, 67	SPT-4113S .....	86		
SPT-2004 .....	18	SPT-2550S .....	137, 147	SPT-4114 .....	86		
SPT-2005 .....	18	SPT-2555S .....	137	SPT-4200S .....	77		
SPT-2101 .....	19	SPT-2560S .....	148	SPT-4201S .....	78		
SPT-2102 .....	19	SPT-2565S .....	148	SPT-4202S .....	78		
SPT-2103 .....	19	SPT-2570S .....	140	SPT-4203S .....	79		
SPT-2104 .....	23	SPT-2600S .....	108, 189	SPT-4204S .....	81		
SPT-2105 .....	23	SPT-2601SMS .....	30	SPT-4205S .....	45, 77, 164		
SPT-2201 .....	20	SPT-2602SMS .....	30	SPT-4206S .....	47, 82		
SPT-2202 .....	20	SPT-2603SMS .....	30	SPT-4207S .....	47, 83		
SPT-2203 .....	20	SPT-2630S .....	112	SPT-4208S .....	80		
SPT-2204 .....	20	SPT-2640S .....	112	SPT-4209S .....	48, 83		
SPT-2205 .....	20	SPT-2650S .....	113	SPT-4214S .....	80		
SPT-2206 .....	20	SPT-2701 .....	14	SPT-4215S .....	45		
SPT-2207 .....	20	SPT-2702 (SPT-2702) .....	14	SPT-4216S .....	81		
SPT-2208 .....	20	SPT-2703 (SPT-2703) .....	14	SPT-4218S .....	79		
SPT-2209 .....	20	SPT-2704 .....	14	SPT-5090S .....	95		
SPT-2212 .....	20	SPT-2705 .....	14	SPT-5091S .....	95		
SPT-2213 .....	23						

## Maxxim Cross Reference Information

Maxxim Item	Medline Item	Page Number
AL016	DYNJP3004	61
AS011	DYNJP8101	148
AS011	DYNJP8102	148
AT012	DYNJP2220	49
AT022	DYNJP2210	49
BA008	DYNJP1040	40
BA010	DYNJP1045	40
BA018	DYNJP1010	37
BA026	DYNJP1000	37
BA034	DYNJP1035	39
BA036	DYNJP1030	38
BA037	DYNJP1038	39
BA044	DYNJP1020	38
BA046	DYNJP1025	38
BA047	DYNJP1015	37
BC010	DYNJP1070	44
BC016	DYNJP2491	67
BC026	DYNJP2492	67
BL011	DYNJP8004	138
CL022	DYNJP3003	59
CL031	DYNJP3008	61
CR021	DYNJP10001	125
CS070	DYNJP6102	112
CS080	DYNJP6101	112
CV006	DYNJP4001	77
CV016	DYNJP4003	78
CV030	DYNJP4016	81
CV035	DYNJP4040	76
CV040	DYNJP4004	79
CV050	DYNJP4009	79
CV073	DYNJP4020	74
CV074	DYNJP4006	78
CY016	DYNJP5000	91
CY025	DYNJP5070	94
CY026	DYNJP5020	92
CY026A	DYNJP5070	94
CY036	DYNJP5010	91
DS016	DYNJP2410	49
DS018	DYNJP2412	49
DS026	DYNJP2414	49
DS035	DYNJP2416	49
DS040	DYNJP2417	49
DS052	DYNJP2419	49
DT012	DYNJP2405	49
DT015	DYNJP2408	49
ET048	DYNJP7000	117
ET058	DYNJP7010	117
EX015	DYNJP8002	137, 147
EX016	DYNJP8002	137, 147
EX026	DYNJP8003	137
FA011	DYNJP4112	85
FA025	DYNJP4113	86
FA5280	DYNJP4114	86

Maxxim Item	Medline Item	Page Number
FP015	DYNJP6002	104
FP016	DYNJP6002	104
FP090	DYNJS01067	177
GL005A	DYNJP2104	23
GL015	DYNJP2213	23
GL020	DYNJP2201	20
GL021	DYNJP2201	20
GL023	DYNJP2207	20
GL025	DYNJP2001	18
GL030	DYNJP2101	19
GL031	DYNJP2101	19
GL040	DYNJP2001	18
GL080	DYNJP2204	20
GS025	DYNJP2005	18
GX005	DYNJP2105	23
GX015	DYNJP2214	23
GX020	DYNJP2202	20
GX021	DYNJP2202	20
GX023	DYNJP2208	20
GX025	DYNJP2002	18
GX030	DYNJP2102	19
GX031	DYNJP2102	19
GX035	DYNJP2304	26
GX080	DYNJP2205	20
GX081	DYNJP2205	20
GX090	DYNJP2302	26
GXX020	DYNJP2203	20
GXX021	DYNJP2203	20
GXX023	DYNJP2209	20
GXX025	DYNJP2003	18
GXX030	DYNJP2103	19
GXX031	DYNJP2103	19
GXX090	DYNJP2303	26
GXXX026	DYNJP2004	18
HA015	DYNJP8005	139
HD048	DYNJP7008	121
HD058	DYNJP7009	121
HP011	DYNJP8202	156
HP041	DYNJP8201	156
IS010	NON22520	49, 142, 150, 160
IS015	NON22530	49, 142, 150, 160
IS020	NON22535	49, 142, 150, 160
LA014	DYNJP3080	57
LA016A	DYNJP3000	53
LA022	DYNJP3000	53
LA036A	DYNJP3030	54
LA047A	DYNJP3090	57
LA047A	DYNJP3040	55
LA048	DYNJP3040	55
LA057	DYNJP3050	55
LA058	DYNJP3050	55
LA067	DYNJP3095	58
LA098	DYNJP3070	56
LC031	DYNJP3103	66
LC051	DYNJP3101	65
LC055	DYNJP3100	64

Maxxim Item	Medline Item	Page Number
LD011	DYNJP6000	101
LD012	DYNJP6000	101
LD021	DYNJP6040	103
LD020	DYNJP6010	101
LD030	DYNJP6010	101
LD040	DYNJP6030	103
LD070	DYNJP6020	102
LD080	DYNJP6040	103
LD081	DYNJP6040	103
LD099A	DYNJP6020	102
LG015	DYNJP2460	49, 97, 105, 196
LG025	DYNJP2461	49, 97, 105, 196
LG030	DYNJP2462	49, 98, 106, 197
LI088	DYNJP3002	59
LR015	DYNJP9100	190
LR016	DYNJP9100	190
LR028	DYNJP9110	190
LR048	DYNJP9120	191
LR050	DYNJP9103	194
LT025	DYNJP9010	183
LT026	DYNJP9010	183
LT045	DYNJP9000	183
LT046	DYNJP9000	183
LT050	DYNJP9001	187
LT056	DYNJP9020	184
LT076	DYNJP9030	184
MC010A	DYNJP2500	49
MC020	DYNJP2510	49
OB060	DYNJP6110	109
OB070	DYNJP6110	109
OB075	DYNJP6110	109
OB080	DYNJP6100	109
OR018	DYNJP8410	170
OR019	DYNJP8400	169
OR026	DYNJP8000	133
OR028	DYNJP8010	134
OR028	DYNJP8020	134
OR031	DYNJP8040	136
OR034	DYNJP8030	135
OR036	DYNJP8110	143
OR037	DYNJP8110	143
OR044	DYNJP8220	153
OR044	DYNJP8220HD	153
OR046	DYNJP8210	152
OR046	DYNJP8210HD	152
OR063	DYNJP8100	143
OR067	DYNJP8240	155
OR067	DYNJP8240HD	155
OR081	DYNJP8320	162
OR082	DYNJP8320	162
OR082	DYNJP8300	161
OR084	DYNJP8310	161
OR085	DYNJP8100	143
OS010	DYNJP7013	124
OS016	DYNJP7005	122
OS018	DYNJP7004	122

Maxxim Item	Medline Item	Page Number
OS062	DYNJP7011	124
PL015	DYNJP3007	62
PL016	DYNJP3007	62
PL026	DYNJP3009	62
PS010	DYNJP2418	49
SM002A	DYNJP8150HD	146
SP018	DYNJP2498	165, 174
SP031	DYNJP8301	164, 174
SP058	DYNJP7001	119
SP074	DYNJP4007	81
SP090	DYNJP8405	175
SS010	DYNJP2000	49
TC010	DYNJP2311	49
TC016	DYNJP2309	49
TC020	DYNJP2312	49
TC021	DYNJP2313	49
TC023HDD	DYNJP2314	49
TC025	DYNJP2316	49
TC025HDD	DYNJP2319	49
TC030HDD	DYNJP2312	49
TC040HDD	DYNJP2317	49
TD020	DYNJP4002	77, 164
TF018A	DYNJP3005	60
TH016A	DYNJP7002	119
TH026	DYNJP7003	120
UB015	DYNJP6001	104, 197
UD015	DYNJP2499	139, 165, 157, 176
UP020	DYNJP1050	42
UP025	DYNJP1055	42

## Cardinal Cross Reference Information

Cardinal Item	Medline Item	Page Number
114	DYNJP1040	40
117	DYNJP1045	40
119	DYNJP1046	40
1584	NON22520	49, 142, 150
1585	NON22530	49, 142, 150
1586	NON22530	49, 142, 150
1587	NON22535	49, 142, 150
2474	DYNJP2302	26
2475	DYNJP2304	26
2476	DYNJP2304	26
3524	DYNJP2494	49
5550	DYNJP2210	49
7444	DYNJP7004	122
7445	DYNJP7005	122
7550	DYNJP2220	49
7553	DYNJP2405	49
7554	DYNJP2408	49
8337	DYNJP2500	49
8339	DYNJP2510	49
8376	DYNJP2309	49
8377	DYNJP2311	49

Cardinal Item	Medline Item	Page Number
8378	DYNJP2316	49
8379	DYNJP2314	49
8380	DYNJP2312	49
8385	DYNJP2317	49
8386	DYNJP2320	49
8420	DYNJP2460	49, 97, 105, 196
8430	DYNJP2462	49, 98, 106, 197
8441	DYNJP7013	124
8474	DYNJP2499	139, 165, 157, 176
8475	DYNJP2430	140, 157, 166, 176
8476	DYNJP2499	139, 165, 157, 176
8482	DYNJP6002	104
8483	DYNJP6001	104, 197
8484	DYNJP6002	104
8750	DYNJP2215	49
9010	DYNJP2201	20
9011	DYNJP2207	20
9015	DYNJP2301	26
9040	DYNJP2202	20
9041	DYNJP2208	20
9045	DYNJP2302	26
9049	DYNJP2302	26
9070	DYNJP2203	20
9071	DYNJP2209	20
9075	DYNJP2303	26
9079	DYNJP2303	26
9100	DYNJP1000	37
9101	DYNJP1020	38
9103	DYNJP1015	37
9106	DYNJP1050	42
9109	DYNJP1005	37
9111	DYNJP1036	39
9112	DYNJP1010	37
9113	DYNJP1025	38
9114	DYNJP1030	38
9120	DYNJP3100	64
9133	DYNJP3104	63
9135	DYNJP3000	53
9139	DYNJP3030	54
9150	DYNJP4000	73
9154	DYNJP4007	81
9155	DYNJP4008	80
9156	DYNJP4004	79
9158	DYNJP4006	78
9174	DYNJP9020	184
9175	DYNJP9010	183
9183	DYNJP8400	169
9185	DYNJP8100	143
9187	DYNJP8100	143
9194	DYNJP7010	117
9195	DYNJP7000	117
9197	DYNJP8150HD	146
9349	DYNJP2414	49
9355	DYNJP2412	49
9358	DYNJP2410	49
9385	DYNJP2313	49

Cardinal Item	Medline Item	Page Number
9413	DYNJP8101	148
9414	DYNJP8101	148
9414	DYNJP8102	148
9418	DYNJP3004	61
9428	DYNJP3102	65
9430	DYNJP3008	61
9444	DYNJP2419	49
9446	DYNJP2417	49
9448	DYNJP10001	125
9458	DYNJP3102	65
9462	DYNJP2420	69
9505	DYNJP2005	18
9511	DYNJP2101	19
9515	DYNJP2001	18
9526	DYNJP7011	124
9541	DYNJP2102	19
9545	DYNJP2002	18
9556	DYNJP7009	121
9560	DYNJP2212	20
9571	DYNJP2103	19
9575	DYNJP2003	18
9777	DYNJP2493	68
19402	DYNJP9101	194
19442	DYNJP7001	119
29107	DYNJP1055	42
29120	DYNJP3010	53
29121	DYNJP3070	56
29127	DYNJP3020	54
29130	DYNJP3050	55
29131	DYNJP1065	44
29136	DYNJP3010	53
29138	DYNJP3000	53
29140	DYNJP3040	55
29142	DYNJP9100	190
29145	DYNJP9110	190
29146	DYNJP9004	188
29153	DYNJP4030	75
29154	DYNJP4003	78
29158	DYNJP4020	74
29160	DYNJP8410	170
29170	DYNJP9000	183
29176	DYNJP9030	184
29180	DYNJP8110	143
29181	DYNJP8320	162
29182	DYNJP8300	161
29183	DYNJP8300	161
29184	DYNJP8310	161
29186	DYNJP8110	143
29187	DYNJP8200	151
29188	DYNJP8000	133
29350	DYNJP2416	49
29352	DYNJP4002	77, 164
29360	DYNJP5010	91
29365	DYNJP8411	170
29367	DYNJP8401	169
29369	DYNJP8412	168, 175



Cardinal Item	Medline Item	Page Number
29371	DYNJP5070	94
29380	DYNJP5000	91
29380	DYNJP5060	94
29403	DYNJP9130	191
29404	DYNJP9150	192
29405	DYNJP8003	137
29406	DYNJP9150	192
29410	DYNJP3003	59
29414	DYNJP8002	137, 147
29415	DYNJP8002	137, 147
29416	DYNJP8004	138
29417	DYNJP8006	138
29418	DYNJP10010	125
29419	DYNJP8005	139
29420	DYNJP2491	67
29421	DYNJP3005	60
29422	DYNJP7002	119
29425	DYNJP3011	60
29429	DYNJP8201	156
29430	DYNJP8202	156
29433	DYNJP8301	164, 174
29436	DYNJP2498	165, 174
29440	DYNJP8301	164, 174
29447	DYNJP6101	112
29448	DYNJP6101	112
29449	DYNJP6102	112
29450	DYNJP9002	187
29452	DYNJP6102	112
29455	DYNJP9001	187
29457	DYNJP4101	84
29458	DYNJP4106	87
29459	DYNJP4112	85
29460	DYNJP4102	84
29460	DYNJP4102	84
29474	DYNJP9103	194
29475	DYNJP9120	191
29489	DYNJP4112	85
29490	DYNJP3080	57
29492	DYNJP3007	62
29493	DYNJP3009	62
29496	DYNJP2492	67
29510	DYNJP3002	59
29522	DYNJP7003	120
29700	DYNJP6020	102
29730	DYNJP6010	101
29760	DYNJP6000	101
29780	DYNJP6100	109
29781	DYNJP6110	109
39010	DYNJP2601	30
39040	DYNJP2602	30
39070	DYNJP2603	30
39511	DYNJP2501	30
39515	DYNJP2401	30
39541	DYNJP2502	30
39545	DYNJP2402	30
39571	DYNJP2503	30

Cardinal Item	Medline Item	Page Number
39575	DYNJP2403	30
28000-200	DYNJP6120	110
28200-600	DYNJP8120	144
59413	DYNJP8102	129, 148
599T	DYNJP2000	49
9010CE	DYNJP2201	20
9011CE	DYNJP2207	20
9015CE	DYNJP2301	26
9040CE	DYNJP2202	20
9041CE	DYNJP2208	20
9070CE	DYNJP2203	20
9071CE	DYNJP2209	20
9505CE	DYNJP2005	18
95060CE	DYNJP2001	18
9507CE	DYNJP2002	18
9508CE	DYNJP2101	19
9509CE	DYNJP2102	19
9571CE	DYNJP2103	19
9575CE	DYNJP2003	18

### Kimberly-Clark Cross Reference Information

K-C Item	Medline Item	Page Number
66350	DYNJP4006	78
66886	DYNJP3007	62
66887	DYNJP3009	62
79720	DYNJP2210	49
88088	DYNJP9100	190
88108	DYNJP8430	173
88111	DYNJP1040	40
88121	DYNJP1045	40
88128	DYNJP1045	40
88131	DYNJP1010	37
88138	DYNJP1005	37
88141	DYNJP1000	37
88148	DYNJP1000	37
88151	DYNJP1025	38
88161	DYNJP1015	37
88168	DYNJP1015	37
88171	DYNJP1020	38
88222	DYNJP9110	190
88222	DYNJP9150	192
88224	DYNJP9120	191
88231	DYNJP3000	53
88241	DYNJP3040	55
88248	DYNJP3030	54
88258	DYNJP3050	55
88261	DYNJP3060	56
88291	DYNJP3070	56
88311	DYNJP8300	161
88321	DYNJP8310	161
88331	DYNJP1065	44
88351	DYNJP7001	119
88358	DYNJP7001	119

K-C Item	Medline Item	Page Number
88411	DYNJP8320	162
88412	DYNJP8320HD	162
88412	DYNJP8320	162
88431	DYNJP8010	134
88434	DYNJP8140	146
88438	DYNJP8110	143
88439	DYNJP8110	143
88451	DYNJP8210	152
88452	DYNJP8240	155
88452	DYNJP8240HD	155
88453	DYNJP8210HD	152
88453	DYNJP8210	152
88461	DYNJP8010	134
88471	DYNJP8030	135
88471	DYNJP8030HD	135
88474	DYNJP8000	133
88481	DYNJP8150HD	146
88481	DYNJP8100	143
88488	DYNJP8100	143
88491	DYNJP8410	170
88491	DYNJP8410HD	170
88492	DYNJP8400	169
88511	DYNJP9000	183
88521	DYNJP9010	183
88531	DYNJP9000	183
88541	DYNJP9020	184
88551	DYNJP9030	184
88593	DYNJP3100	64
88611	DYNJP5000	91
88618	DYNJP5040	93
88618	DYNJP5050	93
88621	DYNJP5010	91
88631	DYNJP5020	92
88638	DYNJP5070	94
88648	DYNJP5070	94
88658	DYNJP5070	94
88711	DYNJP7010	117
88716	DYNJP7010	117
88719	DYNJP7010	117
88726	DYNJP6100	109
88727	DYNJP6110	109
88728	DYNJP6110	109
88729	DYNJP6100	109
88731	DYNJP4020	74
88741	DYNJP4010	73
88761	DYNJP1050	42
88766	DYNJP1055	42
88831	DYNJP6010	101
88841	DYNJP6020	102
89016	DYNJP8003	137
89041	DYNJP2494	49
89062	DYNJP10001	125
89066	DYNJP8412	168, 175
89066	DYNJP2499	139, 165, 157, 176
89070	DYNJP8412	168, 175
89070	DYNJP2499	139, 165, 157, 176

K-C Item	Medline Item	Page Number
89108	DYNJP2410	49
89118	DYNJP2412	49
89119	DYNJP9101	194
89121	DYNJP2414	49
89126	DYNJP2414	49
89128	DYNJP2414	49
89131	DYNJP2419	49
89138	DYNJP2419	49
89141	DYNJP2416	49
89203	DYNJP9002	187
89207	DYNJP2420	69
89220	DYNJP9130	191
89221	DYNJP3003	59
89222	DYNJP9104	195
89223	DYNJP3102	65
89224	DYNJP9004	188
89224	DYNJP9103	194
89225	DYNJP3102	65
89226	DYNJP2492	67
89227	DYNJP2491	67
89228	DYNJP3003	59
89229	DYNJP3101	65
89234	DYNJP3008	61
89235	DYNJP3008	61
89241	DYNJP3007	62
89251	DYNJP7002	119
89255	DYNJP7002	119
89258	DYNJP7003	120
89265	DYNJP8101	148
89265	DYNJP8102	148
89267	DYNJP8101	148
89267	DYNJP8102	148
89271	DYNJP8005	139
89272	DYNJP8005	139
89274	DYNJP8411	170
89275	DYNJP8301	164, 174
89276	DYNJP8002	137, 147
89278	DYNJP8003	137
89279	DYNJP8002	137, 147
89281	DYNJP3005	60
89282	DYNJP3002	59
89291	DYNJP8004	138
89301	DYNJP2498	165, 174
89321	DYNJP2498	165, 174
89331	DYNJP2499	139, 165, 157, 176
89345	DYNJP8201	156
89346	DYNJP8202	156
89347	DYNJP8301	164, 174
89348	DYNJP4002	77, 164
89356	DYNJP7011	124
89381	DYNJP4002	77, 164
89401	DYNJP2460	49, 97, 105, 196
89413	DYNJP6001	104, 197
89414	DYNJP6002	104
89431	DYNJP7008	121
89438	DYNJP7009	121

K-C Item	Medline Item	Page Number
89451	DYNJP4003	78
89452	DYNJP4003	78
89453	DYNJP4007	81
89454	DYNJP1050	42
89461	DYNJP4101	84
89464	DYNJP4102	84
89465	DYNJP4004	79
89466	DYNJP4004	79
89471	DYNJP4106	87
89492	DYNJP8401	169
89525	DYNJP6101	112
89526	DYNJP6102	112
89528	DYNJP6102	112
89529	DYNJP6101	112
89601	DYNJP2500	49
89602	DYNJP2510	49
89611	DYNJP2311	49
89618	DYNJP2311	49
89621	DYNJP2312	49
89621	DYNJP2313	49
89631	DYNJP2316	49
89631	DYNJP2320	49
89641	DYNJP2312	49
89641	DYNJP2313	49
89701	DYNJP2220	49
89704	DYNJP4102	84
89705	DYNJP4102	84
89706	DYNJP4102	84
89731	DYNJP2405	49
89791	DYNJP2000	49
89811	NON22530	49, 142, 150
89821	NON22535	49, 142, 150
89908	DYNJP2317	49
90012	DYNJP2001	18
90018	DYNJP2001	18
90042	DYNJP2002	18
90048	DYNJP2002	18
90112	DYNJP2101	19
90118	DYNJP2101	19
90142	DYNJP2102	19
90148	DYNJP2102	19
92039	DYNJP2301	26
92043	DYNJP2302	26
92046	DYNJP2303	26
92049	DYNJP2301	26
92052	DYNJP2302	26
92056	DYNJP2303	26
92514	NON22520	49, 142, 150
92515	NON22530	49, 142, 150
95101	DYNJP2401	30
95111	DYNJP2401	30
95121	DYNJP2402	30
95131	DYNJP2403	30
95201	DYNJP2501	30
95211	DYNJP2501	30
95221	DYNJP2502	30

K-C Item	Medline Item	Page Number
95231	DYNJP2503	30
95311	DYNJP2601	30
95321	DYNJP2602	30
95331	DYNJP2603	30
95411	DYNJP2204	20
95421	DYNJP2205	20
95431	DYNJP2206	20

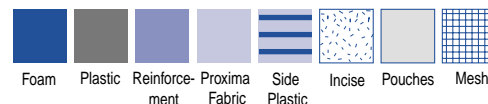
## Molnlycke Cross Reference Information

Molnlycke Item	Medline Item	Page Number
135	DYNJP6010	101
136	DYNJP6030	103
138	DYNJP6040	103
144	DYNJP2510	49
171	DYNJP8140	146
172	DYNJP8000	133
172	DYNJP8000HD	133
173	DYNJP4020	74
174	DYNJP8130	144
174	DYNJP8130HD	145
175	DYNJP7030	118
176	DYNJP8230	154
176	DYNJP8230HD	154
177	DYNJP8420	171
178	DYNJP1065	44
179	DYNJP8330	163
179	DYNJP8330HD	163
182	DYNJP1040	40
202	DYNJP8240	155
202	DYNJP8240HD	155
203	DYNJP4002	77, 164
204	DYNJP8201	156
210	DYNJP4102	84
210	DYNJP4102	84
211	DYNJP4104	85
213	DYNJP2215	49
214	DYNJP7005	122
215	DYNJP4104	85
220	DYNJP5040	93
223	DYNJP5020	92
225	DYNJP2418	49
229	DYNJP6002	104
230	DYNJP6100	109
231	DYNJP6101	112
233	DYNJP6130	111
239	DYNJP6102	112
243	DYNJP3030	54
244	DYNJP3050	55
245	DYNJP2220	49
248	DYNJP3100	64
249	DYNJP3101	65
252	DYNJP9120	191
253	DYNJP9004	188



Proxima Protection Products from Medline

All products are sterile and latex free unless otherwise indicated.



Molnlycke Medline Item	Item	Page Number
253	DYNJP9103	194
255	DYNJP2461	49, 97, 105, 196
257	DYNJP9060	185
258	DYNJP9160	192
260	DYNJP2311	49
260	DYNJP2316	49
261	DYNJP8005	139
262	DYNJP8040	136
263	DYNJP8100	143
264	DYNJP2317	49
266	DYNJP2314	49
266	DYNJP2319	49
266	DYNJP2320	49
270	DYNJP8002	137, 147
272	NON22520	49, 142, 150
273	NON22530	49, 142, 150
274	NON22535	49, 142, 150
275	DYNJP2499	139, 165, 157, 176
278	DYNJP8101	148
278	DYNJP8102	148
282	DYNJP1040	40
284	DYNJP1035	39
286	DYNJP7003	120
290	DYNJP2312	49
291	DYNJP10001	125
294	DYNJP8412	168, 175
295	DYNJP8401	169
295	DYNJP8110	143
296	DYNJP8400	169
297	DYNJP3008	61
373	DYJNP4006	78
376	DYNJP4003	78
393	DYNJP4007	81
540	DYNJP2207	20
541	DYNJP2208	20
544	DYNJP2204	20
545	DYNJP2205	20
546	DYNJP2206	20
550	DYNJP2005	18
551	DYNJP2001	18
553	DYNJP2002	18
554	DYNJP2003	18
570	DYNJP2101	19
572	DYNJP2102	19
574	DYNJP2103	19
575	DYNJP2201	20
577	DYNJP2202	20
579	DYNJP2204	20
582	DYNJP2205	20
583	DYNJP2203	20
583	DYNJP2206	20
695	DYNJP3103	66
1202	DYNJP3104	63
1204	DYNJP2492	67
1204	DYNJP3009	62
1207	DYNJP7001	119

Molnlycke Medline Item	Item	Page Number
1208	DYNJP9002	187
1209	DYNJP2414	49
1210	DYNJP4101	84
1212	DYNJP4106	87
1214	DYNJP7004	122
1215	DYNJP2491	67
1216	DYNJP8410	170
1217	DYNJP7009	121
1218	DYNJP7020	118
1219	DYNJP7010	117
1222	DYNJP5010	91
1224	DYNJP9001	187
1225	DYNJP2410	49
1227	DYNJP2412	49
1228	DYNJP2414	49
1229	DYNJP6001	104, 197
1237	DYNJP6110	109
1239	DYNJP6110	109
1240	DYNJP3000	53
1242	DYNJP3070	56
1244	DYNJP2500	49
1245	DYNJP3060	56
1246	DYNJP3002	59
1249	DYNJP2406	49
1250	DYNJP9050	185
1251	DYNJP9000	183
1253	DYNJP9020	184
1255	DYNJP2460	49, 97, 105, 196
1259	DYNJP9110	190
1260	DYNJP8202	156
1261	DYNJP8002	137, 147
1262	DYNJP8020	134
1263	DYNJP8110	143
1264	DYNJP8300	161
1265	DYNJP8004	138
1266	DYNJP8030	135
1267	DYNJP8210	152
1267	DYNJP8210HD	152
1268	DYNJP1050	42
1269	DYNJP4010	73
1271	DYNJP8003	137
1272	DYNJP2493	68
1273	DYNJP4020	74
1274	DYNJP4004	79
1276	DYNJP1015	37
1278	DYNJP4004	79
1280	DYNJP1000	37
1282	DYNJP3005	60
1285	DYNJP1015	37
1287	DYNJP1020	38
1288	DYNJP2419	49
1289	DYNJP2416	49
1290	DYNJP8320	162
1291	DYNJP8220	153
1292	DYNJP7000	117
1293	DYNJP3003	59

Molnlycke Medline Item	Item	Page Number
1294	DYNJP3007	62
1296	DYNJP2313	49
1296	DYNJP2322	49
1298	DYJNP8301	164, 174
1298	DYNJP2498	165, 174
1299	DYNJP3107	63
5217	DYNJSD1067	177
5220	DYNJP2494	49
9545	DYNJP2210	49
S57565	DYNJP7013	124





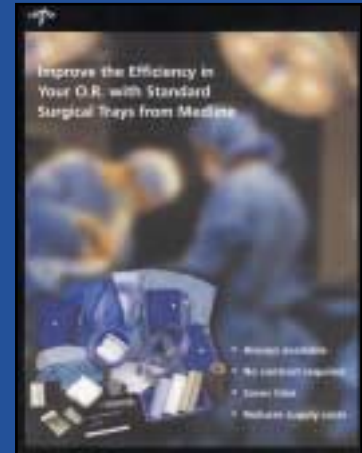
# No one understands the O.R. like Medline...



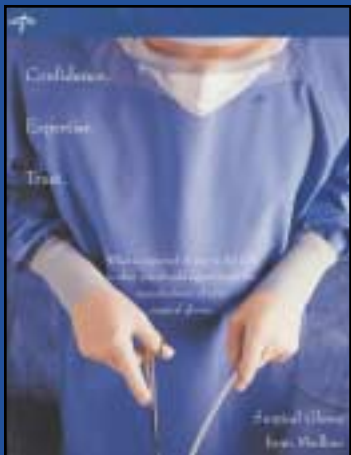
**Proxima Incise Drapes**  
 Proxima Incise Drapes feature our antimicrobial Acti-Gard® Drapes which reduce the risk of skin flora contamination during surgery.



**Complete Delivery System**  
 Simplify your supply chain by combining all procedural supplies into one container.



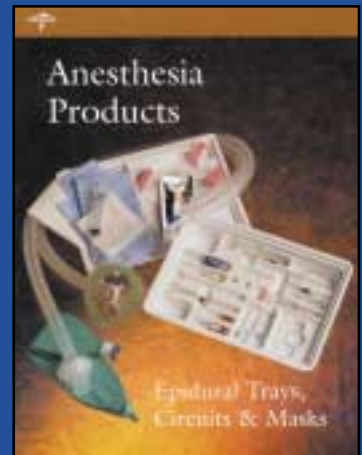
**Standard Procedure Trays**  
 Based on the most commonly performed procedures, our Standard Procedure Trays combine quality and innovation with measurable cost savings.



**Medline Surgical Gloves**  
 Confidence. Expertise. Trust. What you expect from your O.R. staff is also what you get with your Medline surgical gloves.



**König Instrumentation**  
 Precision, German surgical instrumentation. Featuring Tier One — over 2,000 instruments always in stock.



**Anesthesia Products**  
 From epidural trays to circuits to masks, Medline carries a wide variety of anesthesia products to fit virtually any preference.



1-800-MEDLINE | [www.medline.com](http://www.medline.com)