

# PROXIMA

SURGICAL DRAPES

GOWNS & STANDARD PACKS





# Proxima Protection Products

Surgical Drapes, Gowns and Standard Packs.



1-800-MEDLINE | [www.medline.com](http://www.medline.com)  
© 2002 Medline Industries, Inc., Mundelein, IL 60010

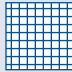

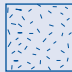





|   |               |
|---|---------------|
| <b>INTRODUCTION .....</b>               | <b>5</b>      |
| <b>SURGICAL GOWNS .....</b>             | <b>7-12</b>   |
| Surgical Gowns, Sterile .....           | 9-11          |
| Surgical Gowns, Non-Sterile .....       | 12            |
| <b>BASIC/UNIVERSAL PACKS .....</b>      | <b>13-22</b>  |
| Basic Packs .....                       | 15-16         |
| Set Up Packs .....                      | 17            |
| Universal Packs .....                   | 18-21         |
| <b>LAPAROTOMY/GENERAL SURGERY .....</b> | <b>23-38</b>  |
| Laparotomy Packs .....                  | 25-29         |
| Laparotomy Drapes .....                 | 30-33         |
| Abdominal Packs .....                   | 34            |
| Laparoscopic Abdominal Drapes .....     | 35            |
| Abdominal Drapes .....                  | 36            |
| Chest/Breast Drapes .....               | 37            |
| Minor Procedure Drapes .....            | 38            |
| <b>CARDIOVASCULAR .....</b>             | <b>39-48</b>  |
| Cardiovascular Packs .....              | 41-42         |
| Cardiovascular Drapes .....             | 43-46         |
| Angiography Drapes .....                | 47-48         |
| <b>CYSTOSCOPY .....</b>                 | <b>49-54</b>  |
| Cystoscopy Packs .....                  | 51-52         |
| Cystoscopy Drapes & Accessories .....   | 53-54         |
| <b>OBSTETRICS .....</b>                 | <b>55-68</b>  |
| OB Packs .....                          | 57-59         |
| OB Accessories .....                    | 60-63         |
| C-Section Packs .....                   | 64-66         |
| C-Section Drapes .....                  | 67            |
| <b>EENT/OPHTHALMOLOGY .....</b>         | <b>69-78</b>  |
| Head and Neck Packs .....               | 71-72         |
| Head and Neck Drapes .....              | 73-75         |
| Ophthalmic Drapes .....                 | 76-77         |
| Neurosurgery Drapes .....               | 78            |
| <b>ORTHOPEDICS .....</b>                | <b>79-114</b> |
| <b>EXTREMITY .....</b>                  | <b>81-88</b>  |
| Extremity Packs .....                   | 83-85         |
| Extremity Drapes .....                  | 86-88         |
| <b>ARTHROSCOPY .....</b>                | <b>89-94</b>  |
| Arthroscopy Packs .....                 | 91-93         |
| Arthroscopy Drapes .....                | 93-94         |

|  |                |
|--|----------------|
| <b>HIP PACKS AND DRAPES .....</b>                      | <b>95-100</b>  |
| Hip Packs .....  | 97-98          |
| Hip Drapes .....                                       | 99-100         |
| <b>GENERAL ORTHOPEDICS .....</b>                       | <b>101-106</b> |
| Orthopedic Packs .....                                 | 103-104        |
| Orthopedic Drapes .....                                | 105-106        |
| <b>SHOULDERS .....</b>                                 | <b>107-114</b> |
| Shoulder Packs .....                                   | 109-111        |
| Shoulder Drapes .....                                  | 111-114        |
| <b>PERI-GYN .....</b>                                  | <b>115-126</b> |
| Lithotomy Packs .....                                  | 117-118        |
| Lithotomy Drapes .....                                 | 119-120        |
| Laparoscopy Packs .....                                | 121-123        |
| Laparoscopy Drapes .....                               | 124-125        |
| GYN Accessories .....                                  | 126            |
| <b>INCISE DRAPES .....</b>                             | <b>127-128</b> |
| <b>ITEM NUMBER INDEX<br/>AND CROSS REFERENCE .....</b> | <b>129-134</b> |

### Fabric Key

Throughout this catalog, the illustrations of the drapes and gowns are coded using the swatches shown here.

Use this key to determine the materials and reinforcements used.

|   |                |
|---|----------------|
|  | Mesh           |
|  | Pouches        |
|  | Incise         |
|  | Side plastic   |
|  | Proxima Fabric |
|  | Reinforcement  |
|  | Plastic        |
|  | Foam           |





### THANK YOU FOR CHOOSING PROXIMA.

In an effort to meet and exceed the everyday needs of your surgical team, Medline has developed a high quality line of disposable surgical apparel and protective products. Proxima combines innovation and standardization to create products you can rely on, at very competitive prices.

### RAISING THE STANDARD FOR SURGICAL GOWNS.

Proxima includes a wide range of surgical gowns so you can choose the level of protection you need for any surgical case. We offer great comfort and protection in every gown whether it be roomier chest and sleeves, or longer lengths and larger reinforced zones.

Innovation is especially visible in our breathable impervious gown, Prevention. Prevention gowns are made of 3M's Propore® fabric, a breathable film which is able to maintain an impervious barrier to blood, body fluids and pathogens<sup>1</sup>, while allowing moisture vapor to escape.



### INNOVATIVE FEATURES AND QUALITY MATERIALS.

Many of our products have features that have been designed with the help of nurses and doctors at various medical centers around the country to ensure their need and effectiveness in the operating room.

One of the exclusive features on our drapes is the velcro-style line holders. Developed with the clinician in mind, these line holders eliminate the



Our velcro-style tabs make it easy to secure lines.

need to thread and unthread lines in order to keep your surgical site clear. Designed for ease of use, every line holder comes offset for easy operation while

gloved. Securing tubing, cautery lines, and camera cords is as easy as fastening a velcro-style tab!

In addition to the line holders, other key drape features include the highly absorbent reinforcement areas, the use of premium incise films and tapes, and the ample size, which assures the sterile field is achieved.

### THE FEEL AND DRAPEABILITY OF REUSABLE. THE CONVENIENCE OF DISPOSABLE.

Proxima fabric blends the feel and drapeability of reusable linens with the convenience that disposable surgical gowns and drapes are known for. Proxima fabric has been in use in operating rooms for over 25 years. The material provides excellent fluid repellency, low linting, and drapeability. Tested consistently for fluid resistance and flame retardancy<sup>2</sup>, our products will stand up to your toughest cases.

### LATEX FREE.

Keeping you and the patient in mind, every product in the Proxima line is latex free. All of our packaging is clearly labeled with our latex-free symbol for added piece of mind.



If you need more information about any of the products found in this catalog, contact your Medline representative, call us at 1-800-MEDLINE, or e-mail us at [proxima@medline.com](mailto:proxima@medline.com).

### STANDARDS AND TESTS

- <sup>1</sup>Prevention gowns pass tests for Fluid Penetration ASTM F 1670-95 and Viral Penetration F1671-95
- <sup>2</sup>All materials meet the Standard for the Flammability of Clothing textiles CPSC 16 CFR Part 1610. (Class I Flammability)



PROXIMA

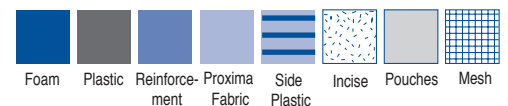
SURGICAL GOWNS

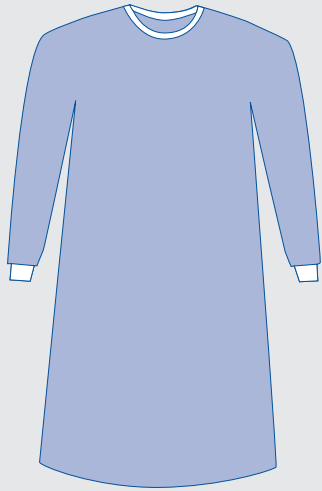
| Gowns     |  | Page<br>Number | Case<br>Pack | Allegiance<br>Convertors | Molnlycke<br>Barrier | Kimberly<br>Clarke | Maxxim<br>Boundary |
|-----------|--|----------------|--------------|--------------------------|----------------------|--------------------|--------------------|
| DYNJP2001 | Gown, Non-Reinforced, Large                      | 9              | 30           | 9515                     | 0551                 | 90012/95101/9511   | GL025/GL026/GL040  |
| DYNJP2002 | Gown, Non-Reinforced, X-Large                    | 9              | 30           | 9545                     | 0553                 | 90042/95121        | GX025/GX026/GX040  |
| DYNJP2003 | Gown, Non-Reinforced, XX-Large                   | 9              | 18           | 9575                     | 0554                 | 95131              | GXX025             |
| DYNJP2101 | Gown, Fabric Reinforced, Large                   | 9              | 30           | 9511                     | 0570                 | 90112/95201        | GL005A/GL030       |
| DYNJP2102 | Gown, Fabric Reinforced, X-Large                 | 9              | 30           | 9541                     | 0572                 | 90142/95211        | GX005/GX030        |
| DYNJP2103 | Gown, Fabric Reinforced, XX-Large                | 9              | 18           | 9571                     | 0574                 | —                  | GXX030             |
| DYNJP2201 | Gown, Poly Reinforced, Large                     | 10             | 30           | 9010/9011                | 0575/0540            | 95311/90318        | GL015/GL020 GL021  |
| DYNJP2202 | Gown, Poly Reinforced, X-Large                   | 10             | 30           | 9040/9041                | 0576/0541            | 95321/90348        | GX015/GX020 GX021  |
| DYNJP2203 | Gown, Poly Reinforced, XX-Large                  | 10             | 18           | 9070/9071                | 0583                 | 95331              | GXX020             |
| DYNJP2204 | Gown, Poly Reinforced, Large, X-Long             | 10             | 28           | —                        | 0579/0544            | 95511              | —                  |
| DYNJP2205 | Gown, Poly Reinforced, X-Large, X-Long           | 10             | 28           | —                        | 0582/0545            | 95521              | —                  |
| DYNJP2206 | Gown, Poly Reinforced, XX-Large, X-Long          | 10             | 18           | —                        | 0583/0546            | 95531              | —                  |
| DYNJP2301 | Prevention Gown, Breathable Impervious, Large    | 11             | 24           | 9015                     | —                    | 92039/92049        | —                  |
| DYNJP2302 | Prevention Gown, Breathable Impervious, X-Large  | 11             | 24           | 9045/2474/2475           | —                    | 92043/92052        | —                  |
| DYNJP2303 | Prevention Gown, Breathable Impervious, XX-Large | 11             | 22           | 9075                     | —                    | 92046/92056        | —                  |



Proxima Protection Products from Medline

All products are sterile and latex free unless otherwise indicated.






---

### Medline Gown, Non-Reinforced

#### Large (43")

**DYNJP2001**

*Packaging: 30/cs*

Non-Sterile Item Number: SPT-2001

*(for use in custom trays; not sold separately)*

#### X-Large (47")

**DYNJP2002**

*Packaging: 30/cs*

Non-Sterile Item Number: SPT-2002

*(for use in custom trays; not sold separately)*

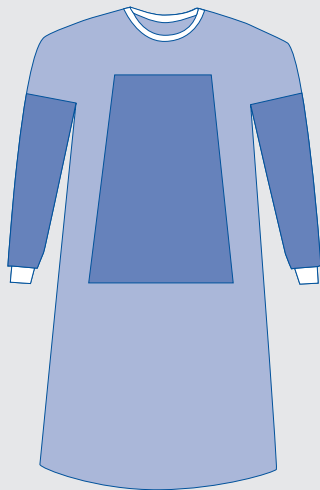
#### XX-Large (49")

**DYNJP2003**

*Packaging: 18/cs*

Non-Sterile Item Number: SPT-2003

*(for use in custom trays; not sold separately)*




---

### Eclipse® Gown, Fabric Reinforced

#### Large (43")

**DYNJP2101**

*Packaging: 30/cs*

Non-Sterile Item Number: SPT-2101

*(for use in custom trays; not sold separately)*

#### X-Large (47")

**DYNJP2102**

*Packaging: 30/cs*

Non-Sterile Item Number: SPT-2102

*(for use in custom trays; not sold separately)*

#### XX-Large (49")

**DYNJP2103**

*Packaging: 18/cs*

Non-Sterile Item Number: SPT-2103

*(for use in custom trays; not sold separately)*



### Eclipse® Plus Gown, Poly-Reinforced Large (43")

**DYNJP2201**

*Packaging: 30/cs*

Non-Sterile Item Number: SPT-2201

*(for use in custom trays; not sold separately)*

### X-Large (47")

**DYNJP2202**

*Packaging: 30/cs*

Non-Sterile Item Number: SPT-2202

*(for use in custom trays; not sold separately)*

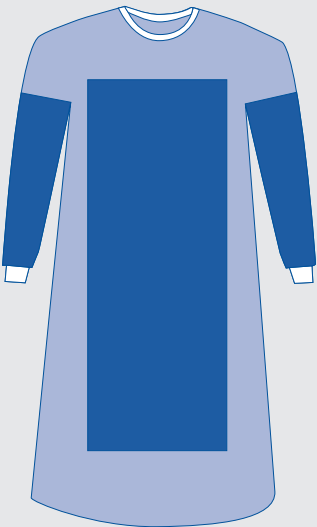
### XX-Large (49")

**DYNJP2203**

*Packaging: 18/cs*

Non-Sterile Item Number: SPT-2103

*(for use in custom trays; not sold separately)*



### Eclipse® Plus Gown, Poly-Reinforced, Extra Long

#### Large, Extra Long (52")

**DYNJP2204**

*Packaging: 28/cs*

Non-Sterile Item Number: SPT-2204

*(for use in custom trays; not sold separately)*

#### X-Large, Extra Long (56")

**DYNJP2205**

*Packaging: 28/cs*

Non-Sterile Item Number: SPT-2205

*(for use in custom trays; not sold separately)*

#### XX-Large, Extra Long (56")

**DYNJP2206**

*Packaging: 18/cs*

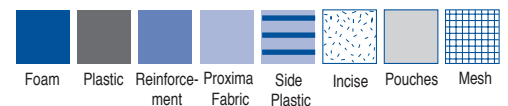
Non-Sterile Item Number: SPT-2206

*(for use in custom trays; not sold separately)*



Proxima Protection Products from Medline

*All products are sterile and latex free unless otherwise indicated.*







---

**Prevention™ Gown, Breathable, Impervious****Large, Extra Long (45")****DYNJP2301***Packaging: 24/cs*

Non-Sterile Item Number: 19310

*(for use in custom trays; not sold separately)***X-Large, Extra Long (53")****DYNJP2302***Packaging: 24/cs*

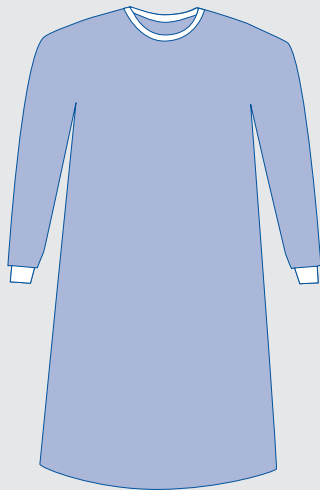
Non-Sterile Item Number: 21394

*(for use in custom trays; not sold separately)***XX-Large, Extra Long (55")****DYNJP2303***Packaging: 22/cs*

Non-Sterile Item Number: SPT-2303

*(for use in custom trays; not sold separately)*

*Prevention gowns pass tests for Fluid Penetration ASTM F 1670-95 and Viral Penetration F1671-95*



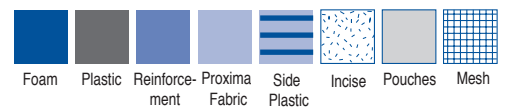

---

**Medline Gown, Non-Reinforced, Non-Sterile**
**Large (43")**
**DYNJP2901**
*Packaging: 50/cs*
**X-Large (47")**
**DYNJP2902**
*Packaging: 50/cs*



---

**Prevention™ Gown, Breathable, Impervious, Non-Sterile**
**Large, Extra Long (45")**
**DYNJP2931**
*Packaging: 50/cs*
**X-Large, Extra Long (53")**
**DYNJP2932**
*Packaging: 50/cs*
**XX-Large, Extra Long (55")**
**DYNJP2933**
*Packaging: 50/cs*

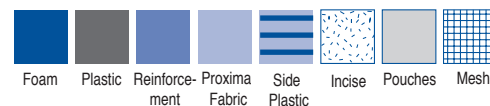
**Proxima Protection Products from Medline**
*All products are sterile and latex free unless otherwise indicated.*




**PROXIMA**

**BASIC/UNIVERSAL PACKS**

|                        |   | Page<br>Number | Case<br>Pack | Allegiance<br>Convertors | Molnlycke<br>Barrier | Kimberly<br>Clarke | Maxxim<br>Boundary |
|------------------------|---|----------------|--------------|--------------------------|----------------------|--------------------|--------------------|
| <b>Basic Packs</b>     |   |                |              |                          |                      |                    |                    |
| DYNJP1000              | Basic Pack I                                      | 15             | 10           | 9100                     | 1280                 | 88141/88148        | BA026              |
| DYNJP1005              | Basic Pack II                                     | 15             | 10           | 9109                     | —                    | 88138              | —                  |
| DYNJP1010              | Basic Pack III                                    | 15             | 10           | 9112                     | —                    | 88131              | BA018              |
| DYNJP1015              | Basic Pack IV                                     | 15             | 8            | 9103                     | 1276/1285            | 88161/88168        | BA047              |
| DYNJP1020              | Basic Pack V                                      | 15             | 5            | 9101                     | 1287                 | 88171              | BA044              |
| DYNJP1025              | Basic Pack VI                                     | 16             | 5            | 9113                     | —                    | 88151              | BA046              |
| DYNJP1030              | Basic Pack VII                                    | 16             | 5            | 9114                     | —                    | —                  | BA036              |
| DYNJP1035              | Basic Pack VIII                                   | 16             | 8            | —                        | 0284                 | —                  | BA034              |
| DYNJP1036              | Basic Pack IX                                     | 16             | 8            | 9111                     | —                    | —                  | —                  |
| <b>Set Up Packs</b>    |   |                |              |                          |                      |                    |                    |
| DYNJP1040              | Set Up Pack                                       | 17             | 12           | 114                      | 0182/0282            | 88111              | BA008              |
| DYNJP1045              | Set Up Pack II                                    | 17             | 13           | 117                      | —                    | 88121/88128        | BA010              |
| <b>Universal Packs</b> |   |                |              |                          |                      |                    |                    |
| DYNJP1050              | Universal Pack I                                  | 18             | 5            | 9106                     | 1268                 | 88761/89454        | UP020              |
| DYNJP1055              | Universal Pack II                                 | 18             | 7            | 29107                    | —                    | 88766              | UP025              |
| DYNJP1060              | Universal Pack Split Pack                         | 19             | 4            | 29131                    | 0178                 | —                  | —                  |
| <b>Drape Sheets</b>    |   |                |              |                          |                      |                    |                    |
| DYNJP2410              | Half Drape  | 22             | 20           | 9358                     | 1225                 | 89108              | DS016              |
| DYNJP2411              | Half Drape, Economy                               | 22             | 20           | —                        | —                    | —                  | —                  |
| DYNJP2412              | Medium Drape                                      | 22             | 20           | 9355                     | 1227                 | 89118              | DS018              |
| DYNJP2413              | Medium Drape, Economy                             | 22             | 20           | —                        | —                    | —                  | —                  |
| DYNJP2414              | 3/4 Drape   | 22             | 20           | 9349                     | 1209/1228            | 89121/89126/89128  | DS026              |
| DYNJP2415              | 3/4 Drape, Economy                                | 22             | 20           | —                        | —                    | —                  | —                  |
| DYNJP2416              | 3/4 Drape, Reinforced                             | 22             | 20           | 29350                    | 1289                 | 89141              | DS035              |
| DYNJP2417              | Large Drape                                       | 22             | 20           | 9446                     | —                    | —                  | DS040              |
| DYNJP2418              | Impervious Drape Drape                            | 22             | 20           | —                        | 0225                 | —                  | PS010              |
| DYNJP2419              | Full Drape  | 22             | 12           | 9444                     | 1288                 | 89131/89138        | DS052              |
| <b>Accessories</b>     |   |                |              |                          |                      |                    |                    |
| DYNJP2210              | Absorbent Towels, Bulk Non Sterile                | 22             | 200          | 5550                     | 9545                 | 79720              | AT022              |
| DYNJP2220              | Absorbent Towels, Sterile, 2 Packs                | 22             | 100          | 7550                     | 0245                 | 89701              | AT012              |
| DYNJP2460              | Leggings  | 22             | 20           | 8420                     | 1255                 | 89401/89408        | LG015              |
| DYNJP2461              | X-Large Leggings                                  | 22             | 20           | 8430                     | 0255                 | —                  | —                  |
| DYNJP2500              | Mayo Stand Cover, Standard                        | 22             | 30           | 8337                     | 1244                 | 89601              | MC010A             |
| DYNJP2510              | X-Large Mayo Stand Cover                          | 22             | 22           | 8339                     | 0144                 | 89602              | MC020              |
| DYNJP2215              | Prepping Pad                                      | 22             | 100          | 8750                     | 0213                 | —                  | PP010NS            |
| DYNJP2000              | Gown Sleeves                                      | 22             | 60           | 599T                     | —                    | 89791              | SS010              |
| DYNJP2216              | Velero-Style Tabs                                 | 22             | 50           | —                        | —                    | —                  | —                  |
| <b>Table Covers</b>    |   |                |              |                          |                      |                    |                    |
| DYNJP2309              | Table Cover, Reinforced, 44" x 75"                | 22             | 22           | 8376                     | —                    | —                  | TC016              |
| DYNJP2311              | Table Cover, Reinforced, 44" x 90"                | 22             | 22           | 8377                     | 0260                 | 89611/89618        | TC010              |
| DYNJP2316              | Table Cover, Reinforced, 50" x 90"                | 22             | 24           | 8378                     | 0260                 | 89631              | TC025              |
| DYNJP2312              | Overhead Table Cover, Reinforced, 80" x 90"       | 22             | 22           | 8380                     | 0290                 | 89621/89641        | TC020/TC030HD      |
| DYNJP2313              | Table Cover, Heavy Duty, 77" x 96" with Extension | 22             | 12           | 9385                     | 1296                 | 89621/89641        | TC021              |
| DYNJP2314              | Table Cover, Heavy Duty, 60" x 90"                | 22             | 12           | 8379                     | 0266                 | —                  | TC023HD            |
| <b>Utility Drapes</b>  |   |                |              |                          |                      |                    |                    |
| DYNJP2405              | Utility Drapes w/ Adhesive ( 1 pair/pack)         | 22             | 200          | 7553                     | —                    | 89731              | DT012              |
| DYNJP2406              | Utility Drapes w/ Adhesive ( 4/pack)              | 22             | 200          | —                        | 1249                 | —                  | —                  |
| DYNJP2408              | Utility Drapes w/ Adhesive, X-Large ( 4/pack)     | 22             | 200          | 7554                     | —                    | —                  | DT015              |





---

**Basic Pack I****DYNJP1000**

- 2 Hand towels
- 1 Mayo stand cover
- 1  $\frac{3}{4}$  Drape, 53" x 77"
- 1  $\frac{1}{2}$  Drape, 40" x 58"
- 4 Utility drapes with adhesive
- 1 Suture bag
- 1 Table cover, reinforced poly, 50" x 90"

*Packaging: 10/cs*

---

**Basic Pack II****DYNJP1005**

- 1 Mayo stand cover
- 1  $\frac{3}{4}$  Drape, 53" x 77"
- 1 Suture bag
- 1 Table cover, reinforced poly, 50" x 90"

*Packaging: 10/cs*

---

**Basic Pack III****DYNJP1010**

- 1 Mayo stand cover
- 1  $\frac{3}{4}$  drape, 53" x 77"
- 4 Utility drapes with adhesive
- 1 Suture bag
- 1 Table cover, reinforced poly, 50" x 90"

*Packaging: 10/cs*

---

**Basic Pack IV****DYNJP1015**

- 1 Gown, large, non-reinforced with towel in outer wrap
- 3 Hand towels
- 1 Gown, x-large, non-reinforced
- 1 Mayo stand cover
- 1  $\frac{3}{4}$  drape, 53" x 77"
- 1  $\frac{1}{2}$  drape, 40" x 58"
- 4 Utility drapes with adhesive
- 1 Suture bag
- 1 Table cover, reinforced poly, 50" x 90"

*Packaging: 8/cs*

---

**Basic Pack V****DYNJP1020**

- 1 Gown, large, non-reinforced with towel in outer wrap
- 1 Gown, large, non-reinforced
- 1 Mayo stand cover
- 4 Utility drapes with adhesive
- 1 Suture bag
- 1 Table cover, reinforced poly, 50" x 90"

*Packaging: 5/cs*

**Basic Pack VI****DYNJP1025**

- 1 Gown, large, non-reinforced with towel in outer wrap
- 3 Hand towels
- 1 Gown, x-large, non-reinforced
- 1 Mayo stand cover
- 1  $\frac{3}{4}$  drape, 53" x 77"
- 4 Utility drapes with adhesive
- 1 Suture bag
- 1 Table cover, reinforced poly, 50" x 90"

*Packaging: 5/cs***Basic Pack VII****DYNJP1030**

- 1 Gown, large, poly-reinforced with towel in outer wrap
- 3 Hand towels
- 1 Gown, x-large, poly-reinforced
- 1 Mayo stand cover
- 1  $\frac{3}{4}$  drape, 53" x 77"
- 4 Utility drapes with adhesive
- 1 Suture bag
- 1 Table cover, reinforced poly, 50" x 90"

*Packaging: 5/cs***Basic Pack VIII****DYNJP1035**

- 1 Gown, large, poly-reinforced with towel in outer wrap
- 3 Hand towels
- 1 Gown, x-large, poly-reinforced
- 1 Mayo stand cover
- 4 Utility drapes with adhesive
- 1 Suture bag
- 1 Table cover, reinforced poly, 50" x 90"

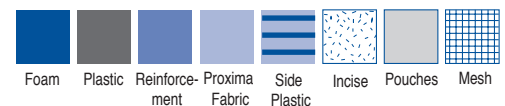
*Packaging: 8/cs***Basic Pack IX****DYNJP1036**

- 1 Gown, large, fabric-reinforced with towel in outer wrap
- 3 Hand towels
- 1 Gown, x-large, fabric-reinforced
- 1 Mayo stand cover
- 1  $\frac{3}{4}$  drape, 53" x 77"
- 1  $\frac{1}{2}$  drape, 40" x 58"
- 4 Utility drapes with adhesive
- 1 Suture bag
- 1 Table cover, reinforced poly, 50" x 90"

*Packaging: 8/cs*

Proxima Protection Products from Medline

All products are sterile and latex free unless otherwise indicated.



**Set Up Pack I**

**DYNJP1040**

- 1 Mayo stand cover
- 1 Suture bag
- 1 Table cover, reinforced poly, 50" x 90"

*Packaging: 12/cs*

**Set Up Pack II**

**DYNJP1045**

- 1 Mayo stand cover
- 4 Utility drapes with adhesive
- 1 Suture bag
- 1 Table cover, reinforced poly, 50" x 90"

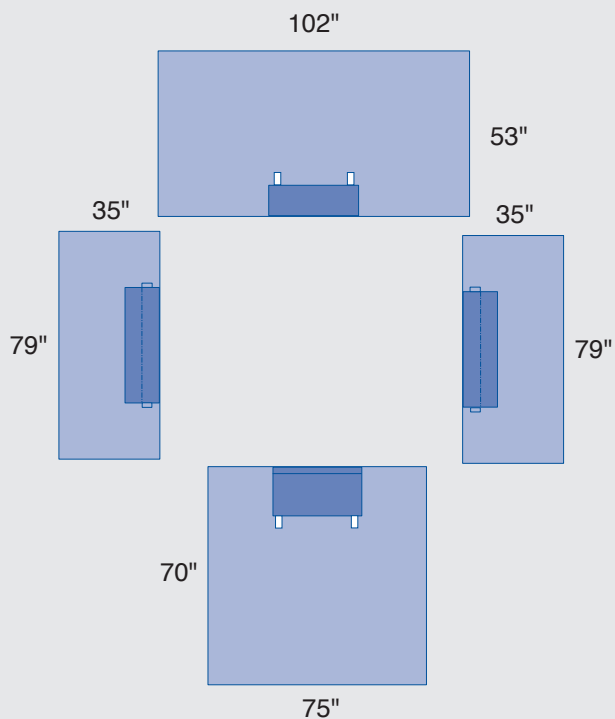
*Packaging: 13/cs*

**Basic Pack Comparison Chart**

| Product         | Item Number | Gown Non-reinforced |    | Gown, Fabric Reinforced |    | Gown, Poly Reinforced |    | Hand Towel | 1/2 Drape | 3/4 Drape | Mayo Cover | Utility Drape | Suture Bag |
|-----------------|-------------|---------------------|----|-------------------------|----|-----------------------|----|------------|-----------|-----------|------------|---------------|------------|
|                 |             | L                   | XL | L                       | XL | L                     | XL |            |           |           |            |               |            |
| Basic Pack I    | DYNJP1000   |                     |    |                         |    |                       |    | 2          | 1         | 1         | 1          | 4             | 1          |
| Basic Pack II   | DYNJP1005   |                     |    |                         |    |                       |    |            |           | 1         | 1          |               | 1          |
| Basic Pack III  | DYNJP1010   |                     |    |                         |    |                       |    |            |           | 1         | 1          | 4             | 1          |
| Basic Pack IV   | DYNJP1015   | 1*                  | 1  |                         |    |                       |    | 3          | 1         | 1         | 1          | 4             | 1          |
| Basic Pack V    | DYNJP1020   | 2 (1*)              |    |                         |    |                       |    |            |           |           | 1          | 4             | 1          |
| Basic Pack VI   | DYNJP1025   | 1*                  | 1  |                         |    |                       |    | 3          |           | 1         | 1          | 4             | 1          |
| Basic Pack VII  | DYNJP1030   |                     |    |                         |    | 1*                    | 1  | 3          |           | 1         | 1          | 4             | 1          |
| Basic Pack VIII | DYNJP1035   |                     |    |                         |    | 1*                    | 1  | 3          |           |           | 1          | 4             | 1          |
| Basic Pack IX   | DYNJP1036   |                     |    | 1*                      | 1  |                       |    | 3          | 1         | 1         | 1          | 4             | 1          |
| Set Up Pack I   | DYNJP1040   |                     |    |                         |    |                       |    |            |           |           | 1          |               | 1          |
| Set Up Pack II  | DYNJP1045   |                     |    |                         |    |                       |    |            |           |           | 1          | 4             | 1          |

\*indicates gown in outer fold





**Top, Side and Bottom Drapes  
included in packs DYNJP1050,  
DYNJP1055**

- Absorbent reinforcement
- Adhesive along reinforced edge
- Velcro-style line holders

### Universal Pack I

**DYNJP1050**

- 1 Mayo stand cover
- 2 Side drapes, 35" x 79", with absorbent reinforcement, 8" x 40", adhesive
- 1 Bottom drape, 70" x 75", with absorbent reinforcement, 29" x 16", adhesive
- 1 Top drape, 102" x 53", with absorbent reinforcement, 29" x 10", adhesive
- 1 Suture bag
- 1 Table cover, reinforced poly, 50" x 90"

*Packaging: 5/cs*

### Universal Pack II

**DYNJP1055**

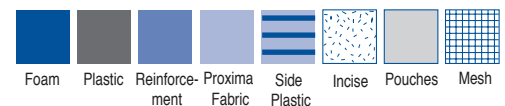
- 1 Gown, large, non-reinforced with towel in outer wrap
- 1 Gown, large, poly-reinforced
- 1 Mayo stand cover
- 2 Side drapes, 35" x 79", with absorbent reinforcement, 8" x 40", adhesive
- 1 Bottom drape, 70" x 75", with absorbent reinforcement, 29" x 16", adhesive
- 1 Top drape, 102" x 53", with absorbent reinforcement, 29" x 10", adhesive
- 1 Suture bag
- 1 Table cover, reinforced poly, 50" x 90"

*Packaging: 7/cs*

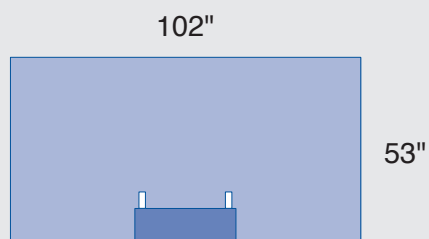


Proxima Protection Products from Medline

*All products are sterile and latex free unless otherwise indicated.*

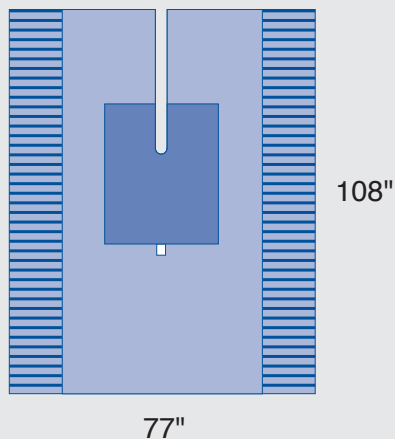






**Top Drape included in pack  
DYNJP1060**

- Absorbent reinforcement
- Adhesive along reinforced edge
- Velcro-style line holders
- Drape also sold separately as DYNJP4002, sterile



**Split Drape included in pack  
DYNJP1060**

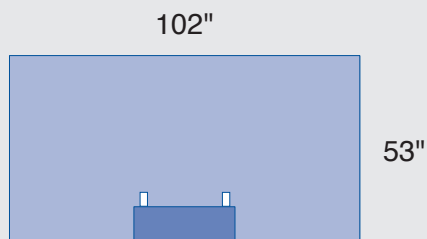
- Absorbent reinforcement, 36" x 29"
- Split with adhesive, 2½" x 37"
- Velcro-style line holder
- Drape also sold separately as DYNJP2498, sterile

**Universal Split Pack**

**DYNJP1060**

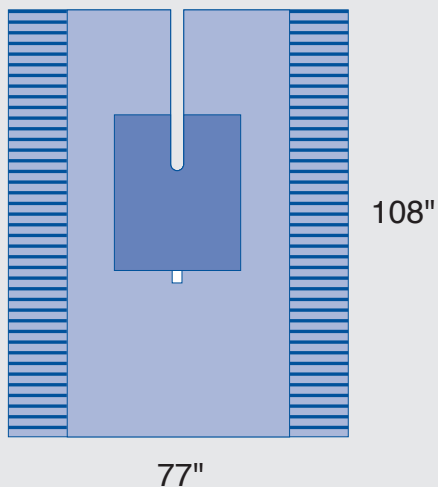
- 1 Mayo stand cover
- 4 Utility drapes with adhesive
- 1 Top drape, 102" x 53", with absorbent reinforcement, 29" x 10", adhesive
- 1 Suture bag
- 1 Split drape, 77" x 108", with absorbent reinforcement
- 1 Table cover, reinforced poly, 50" x 90"

*Packaging: 4/cs*



### Top Drape

- Absorbent reinforcement, 29" x 10"
- Velcro-style line holders
- Adhesive along reinforced edge



### Split Drape

- Absorbent reinforcement, 36" x 29"
- Split with adhesive, 2½" x 37"
- Velcro-style line holders

### Proxima Top Drape

**DYNJP4002**

*Packaging: 14/cs*

Non-Sterile Item Number: SPT-4205S

*(for use in custom trays; not sold separately)*

### Proxima Split Drape

**DYNJP2498**

*Packaging: 14/cs*

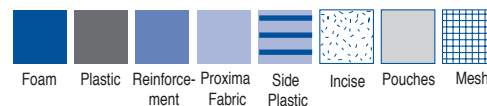
Non-Sterile Item Number: SPT-2450S

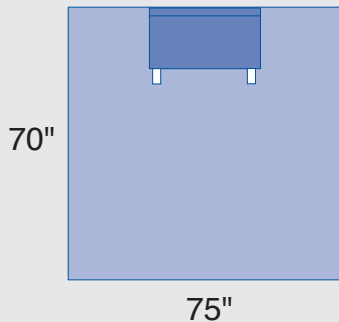
*(for use in custom trays; not sold separately)*



Proxima Protection Products from Medline

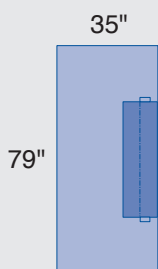
*All products are sterile and latex free unless otherwise indicated.*





### Proxima Bottom Drape

- Absorbent reinforcement 29" x 16"
- Adhesive along reinforced edge
- Velcro-style line holders



### Proxima Side Drape

- Absorbent reinforcement 8" x 40"
- Adhesive along reinforced edge
- Clipping tabs

---

### Proxima Bottom Drape

\*

Non-Sterile Item Number: SPT-4206S

*(for use in custom trays; not sold separately)*

\* *not available sterile*

---

### Proxima Side Drape

\*

Non-Sterile Item Number: SPT-4207S

*(for use in custom trays; not sold separately)*

\* *not available sterile*

**Drape Sheets (fan-folded)**

|                                   |                  | <i>(for use in custom<br/>tray quotation)</i> |                |
|-----------------------------------|------------------|---|----------------|
|                                   | <u>Packaging</u> | <u>Non-Sterile</u>                            | <u>Sterile</u> |
| Half Drape (40" x 58")            | 20/cs            | 14185   | DYNJP2410      |
| Half Drape, Economy (40" x 58")   | 20/cs            | 08902   | DYNJP2411      |
| Medium Drape (40" x 70")          | 20/cs            | 09440   | DYNJP2412      |
| Medium Drape, Economy (40" x 70") | 20/cs            | 20868   | DYNJP2413      |
| ¾ Drape (53" x 77")               | 20/cs            | 14184   | DYNJP2414      |
| ¾ Drape, Economy (53" x 77")      | 20/cs            | 15648   | DYNJP2415      |
| ¾ Drape, Reinforced (53" x 77")   | 20/cs            | 07164   | DYNJP2416      |
| Large Drape (70" x 85")           | 20/cs            | SPT-DRAPLGS                                   | DYNJP2417      |
| Impervious Drape (44" x 65")      | 20/cs            | SPT-2491                                      | DYNJP2418      |
| Full Drape (70" x 100")           | 12/cs            | SPT-DRAPXLS                                   | DYNJP2419      |

**Table Covers (fan-folded)**

|  |       |       |           |
|--|-------|-------|-----------|
| Table Cover, Reinforced (44" x 76")                | 22/cs | 61026 | DYNJP2309 |
| Table Cover, Reinforced (44" x 90")                | 22/cs | 61025 | DYNJP2311 |
| Table Cover, Reinforced (50" x 90")                | 24/cs | 61024 | DYNJP2316 |
| Overhead Table Cover, Reinforced (80" x 90")       | 22/cs | 12365 | DYNJP2312 |
| Table Cover, Heavy Duty (77" x 96" with extension) | 12/cs | — —   | DYNJP2313 |
| Table Cover, Heavy Duty (60" x 90")                | 12/cs | — —   | DYNJP2314 |

**Accessories**

|   |                |          |           |
|---|----------------|----------|-----------|
| Absorbent Towels, Bulk, Non-Sterile           | 200/cs         | 05579    | DYNJP2210 |
| Absorbent Towels, Sterile, Two Per Pack       | 100 pr/cs      | 05579    | DYNJP2220 |
| Leggings, Two Per Pack (29½" x 43")           | 20 pr/cs       | 12147    | DYNJP2460 |
| Leggings, X-Large, Two Per Pack (33" x 51")   | 20 pr/cs       | 27478    | DYNJP2461 |
| Drape Tape Strips, 4½" x 27"                  | 4/pk, 50 pk/cs | 29673    | DYNJP2494 |
| Mayo Stand Cover (24" x 53")                  | 30/cs          | 11348    | DYNJP2500 |
| Mayo Stand Cover, X-Large (30" x 57")         | 22/cs          | SPT-2505 | DYNJP2510 |
| Prepping Pad, Non-Sterile (24" x 41")         | 100/cs         | 05136    | DYNJP2215 |
| Gown Sleeves, 23" Long                        | 60/cs          | — —      | DYNJP2000 |
| Utility Drapes with Tape (15" x 26")          | 100 pr/cs      | 12496    | DYNJP2405 |
| Utility Drapes with Tape (15" x 26")          | 4/pk, 50 pk/cs | 12496    | DYNJP2406 |
| Utility Drapes with Tape, X-Large (20" x 30") | 4/pk, 50 pk/cs | 29522    | DYNJP2408 |
| Impervious Stockinette (6" x 30")             | 24/cs          | 06712    | NON22520  |
| Impervious Stockinette (9" x 36")             | 15/cs          | 19300    | NON22530  |
| Impervious Stockinette (12" x 48")            | 10/cs          | 19298    | NON22535  |
| Absorbent Floor Mat (20" x 40"), Non-Sterile  | 25/cs          | — —      | DYNJP2230 |
| Velcro-Style Tabs                             | 2/pk, 50/cs    | — —      | DYNJP2216 |





**MEDLINE**



**PROXIMA**



# LAPAROTOMY/GENERAL SURGERY

|                         |                            | Page<br>Number | Case<br>Pack | Allegiance<br>Convertors | Molnlycke<br>Barrier | Kimberly<br>Clarke | Maxxim<br>Boundary |
|-------------------------|----------------------------|----------------|--------------|--------------------------|----------------------|--------------------|--------------------|
| <b>Laparotomy Packs</b> |                            |                |              |                          |                      |                    |                    |
| DYNJP3000               | Laparotomy Pack I          | 25             | 10           | 29138/9135               | 1240                 | 88231              | LA016A/22          |
| DYNJP3010               | Laparotomy Pack II         | 25             | 5            | 29120/29136              | —                    | —                  | —                  |
| DYNJP3020               | Laparotomy Pack III        | 26             | 6            | 29127                    | —                    | —                  | —                  |
| DYNJP3030               | Laparotomy Pack IV         | 26             | 4            | 9139                     | 0243                 | 88248              | LA036A             |
| DYNJP3040               | Laparotomy Pack V          | 27             | 6            | 29140                    | —                    | 88241              | LA048/LA047A       |
| DYNJP3050               | Laparotomy Pack VI         | 27             | 4            | 29130                    | 0244                 | —                  | LA057/LA058        |
| DYNJP3060               | Laparotomy Pack VII        | 28             | 4            | —                        | 1245                 | 88261              | —                  |
| DYNJP3070               | Transverse Laparotomy Pack | 28             | 4            | 29121                    | 1242                 | 88291              | LA098              |
| DYNJP3080               | Pediatric Laparotomy Pack  | 29             | 8            | 29490                    | —                    | —                  | LA014              |

**Laparoscopic Cholecystectomy**

|           |                             |    |   |      |      |       |       |
|-----------|-----------------------------|----|---|------|------|-------|-------|
| DYNJP3100 | Laparoscopic Abdominal Pack | 34 | 6 | 9120 | 0248 | 88593 | LC055 |
| DYNJP3110 | Major Abdominal Pack        | 34 | 6 | —    | —    | —     | —     |

**Laparotomy Drapes**

|           |  |    |    |             |      |              |        |
|-----------|--|----|----|-------------|------|--------------|--------|
| DYNJP3002 | Laparotomy T-Drape with Incise, Instrument Pad | 30 | 14 | 29510       | 1246 | 89282        | LI088  |
| DYNJP3003 | Laparotomy T-Drape with Instrument Pad         | 30 | 12 | 29410       | 1293 | 89221/89228  | CL022  |
| DYNJP3005 | Transverse Laparotomy Drape                    | 31 | 12 | 29421/29425 | 1282 | 89281        | TF018A |
| DYNJP3007 | Pediatric Laparotomy Drape                     | 31 | 10 | 29492       | 1294 | 89241/66886  | PL016  |
| DYNJP3008 | Laparotomy Drape with Pouches                  | 32 | 12 | 9430        | 0297 | 89235 /89234 | CL031  |
| DYNJP3009 | Pediatric Laparotomy T-Drape, Armboard Covers  | 32 | 10 | 29493       | 1204 | 66887        | PL026  |

**Laparoscopic Abdominal Drapes**

|           |                                    |    |    |           |      |             |       |
|-----------|------------------------------------|----|----|-----------|------|-------------|-------|
| DYNJP3101 | Laparoscopic Abdominal Drape       | 35 | 12 | —         | 0249 | 89229       | LC051 |
| DYNJP3102 | Laparoscopic Cholecystectomy Drape | 35 | 8  | 9458/9428 | —    | 89225/89223 | —     |
| DYNJP3103 | Major Abdominal Drape              | 36 | 8  | —         | 0695 | —           | LC031 |

**Chest/Breast Drapes**

|           |                                    |    |    |       |      |       |       |
|-----------|------------------------------------|----|----|-------|------|-------|-------|
| DYNJP2491 | Chest/Breast Drape, 15" x 10" Fen. | 37 | 12 | 29420 | 1215 | 89227 | BC016 |
|-----------|------------------------------------|----|----|-------|------|-------|-------|

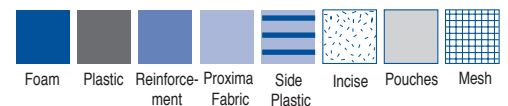
**Minor Procedure Drapes**

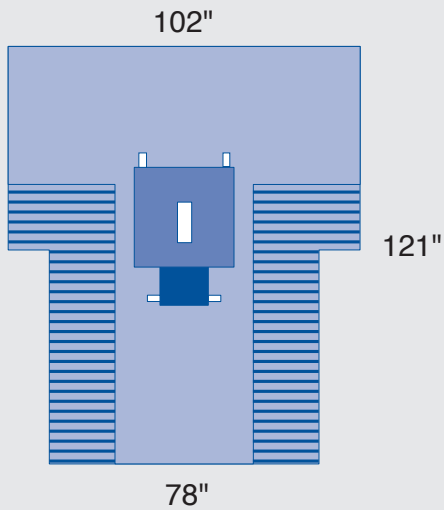
|           |                                     |    |    |       |      |       |       |
|-----------|-------------------------------------|----|----|-------|------|-------|-------|
| DYNJP2492 | Minor Procedure Drape, 6" x 6" Fen. | 37 | 10 | 29496 | 1204 | 89226 | BC026 |
| DYNJP2493 | Adherent Window Drape               | 38 | 32 | 9777  | 1272 | —     | —     |
| DYNJP6003 | Circumcision Drape                  | 38 | 40 | —     | —    | —     | —     |



Proxima Protection Products from Medline

All products are sterile and latex free unless otherwise indicated.





**Laparotomy Drape included in packs DYNJP3000, DYNJP3010**

- Absorbent reinforcement, 29" x 29"
- 4" x 12" fenestration with adhesive
- Instrument pad
- Contoured armboard covers
- Velcro-style line holders
- Drape also available separately as DYNJP3003, sterile

**Laparotomy Pack I**

**DYNJP3000**

- 2 Hand towels
- 1 Mayo stand cover
- 4 Utility drapes with adhesive
- 1 Suture bag
- 1 Laparotomy drape, 102" x 121", with absorbent reinforcement
- 1 Table cover, reinforced poly, 50" x 90"

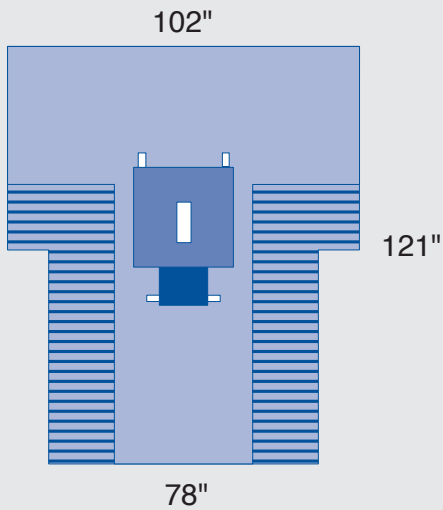
*Packaging: 10/cs*

**Laparotomy Pack II**

**DYNJP3010**

- 2 Hand towels
- 1 Mayo stand cover
- 2 ½ drapes 40" x 58"
- 4 Utility drapes with adhesive
- 1 Suture bag
- 1 Laparotomy drape, 102" x 121", with absorbent reinforcement
- 1 Table cover, reinforced poly, 50" x 90"

*Packaging: 5/cs*



**Laparotomy Drape included in packs DYNJP3020, DYNJP3030**

- Absorbent reinforcement, 29" x 29"
- 4" x 12" fenestration with adhesive
- Instrument pad
- Contoured armboard covers
- Velcro-style line holders
- Drape also available separately as DYNJP3003, sterile

**Laparotomy Pack III**

**DYNJP3020**

- 4 Hand towels
- 2 Gowns, large, fabric reinforced
- 1 Mayo stand cover
- 2 ½ drapes, 40" x 58"
- 4 Utility drapes with adhesive
- 1 Suture bag
- 1 Laparotomy drape, 102" x 121", with absorbent reinforcement
- 1 Table cover, reinforced poly, 50" x 90"

*Packaging: 6/cs*

**Laparotomy Pack IV**

**DYNJP3030**

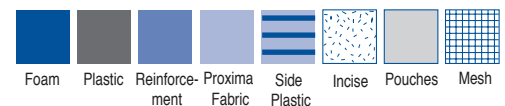
- 1 Gown, large, non-reinforced with towel in outer wrap
- 1 Hand towel
- 1 Gown, large, non-reinforced
- 1 Mayo stand cover
- 4 Utility drapes with adhesive
- 1 Suture bag
- 1 Laparotomy drape, 102" x 121", with absorbent reinforcement
- 1 Table cover, reinforced poly, 50" x 90"

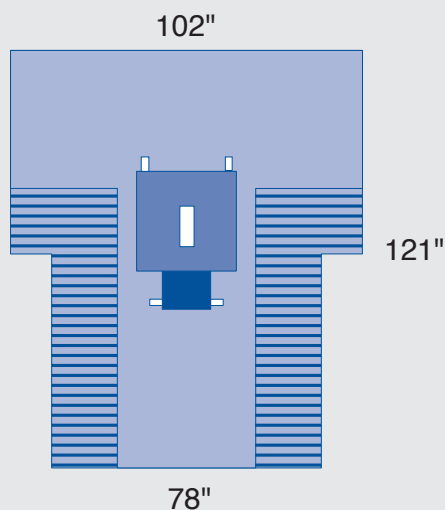
*Packaging: 4/cs*



Proxima Protection Products from Medline

*All products are sterile and latex free unless otherwise indicated.*





**Laparotomy Drape included in packs DYNJP3040, DYNJP3050**

- Absorbent reinforcement, 29" x 29"
- 4" x 12" fenestration with adhesive
- Instrument pad
- Contoured armboard covers
- Velcro-style line holders
- Drape also available separately as DYNJP3003, sterile

**Laparotomy Pack V**

**DYNJP3040**

- 4 Hand towels
- 2 Gowns, large, fabric reinforced
- 1 Mayo stand cover
- 4 Utility drapes with adhesive
- 1 Suture bag
- 1 Laparotomy drape, 102" x 121", with absorbent reinforcement
- 1 Table cover, reinforced poly, 50" x 90"

*Packaging: 6/cs*

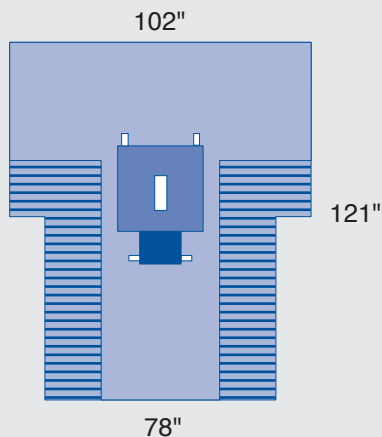
**Laparotomy Pack VI**

**DYNJP3050**

- 1 Gown, large, poly-reinforced with towel in outer wrap
- 1 Hand towel
- 1 Gown, large, poly-reinforced
- 1 Mayo stand cover
- 4 Utility drapes with adhesive
- 1 Suture bag
- 1 Laparotomy drape, 102" x 121", with absorbent reinforcement
- 1 Table cover, reinforced poly, 50" x 90"

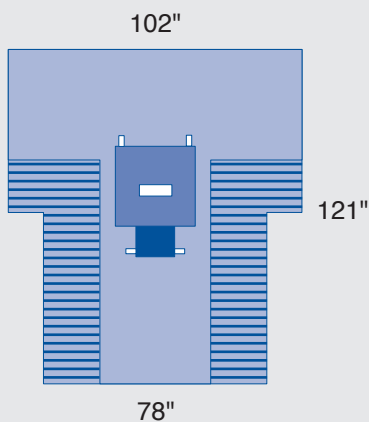
*Packaging: 4/cs*





### Laparotomy Drape included in pack DYNJP3060

- Absorbent reinforcement, 29" x 29"
- 4" x 12" fenestration with adhesive
- Instrument pad
- Contoured armboard covers
- Velcro-style line holders
- Drape also available separately as DYNJP3003, sterile



### Transverse Laparotomy Drape included in pack DYNJP3070

- Absorbent reinforcement, 29" x 29"
- 14" x 4" fenestration with adhesive
- Contoured armboard covers
- Velcro-style line holders
- Instrument pad
- Drape also available separately as DYNJP3005, sterile

## Laparotomy Pack VII

DYNJP3060

- 1 Gown, large, non-reinforced with towel in outer wrap
- 2 Hand towels
- 2 Gowns, large, poly-reinforced
- 1 Mayo stand cover
- 4 Utility drapes with adhesive
- 1 Suture bag
- 1 Laparotomy drape, 102" x 121", with absorbent reinforcement
- 1 Table cover, reinforced poly, 50" x 90"

Packaging: 4/cs

## Transverse Laparotomy Pack

DYNJP3070

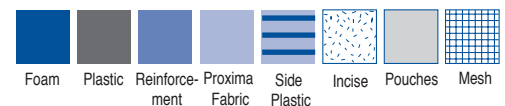
- 1 Gown, large, non-reinforced with towel in outer wrap
- 1 Hand towel
- 1 Gown, large, non-reinforced
- 1 Mayo stand cover
- 4 Utility drapes with adhesive
- 1 Suture bag
- 1 Transverse laparotomy drape, 102" x 121", with absorbent reinforcement
- 1 Table cover, reinforced poly, 50" x 90"

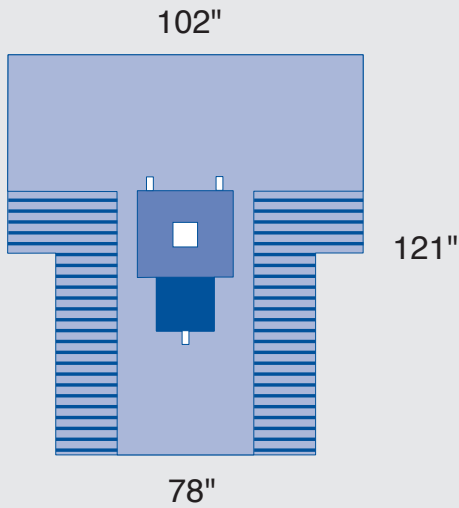
Packaging: 4/cs



Proxima Protection Products from Medline

All products are sterile and latex free unless otherwise indicated.





**Pediatric Laparotomy Drape  
included in pack DYNJP3080**

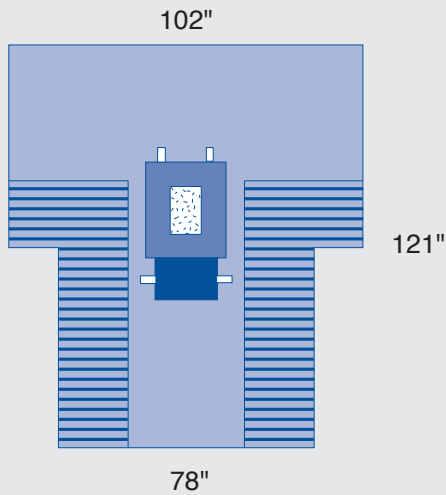
- Absorbent reinforcement, 20" x 18"
- 6" x 6" fenestration, with adhesive
- Contoured armboard covers
- Instrument pad
- Velcro-style line holders
- Drape also sold separately as DYNJP3009, sterile

**Pediatric Laparotomy Pack**

**DYNJP3080**

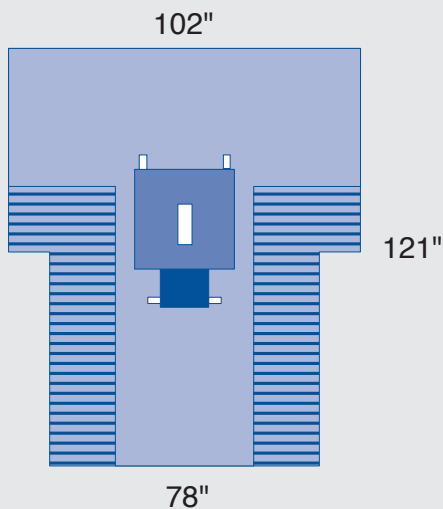
- 2 Hand towels
- 2 Gowns, x-large, non-reinforced
- 1 Mayo stand cover
- 4 Utility drapes, with adhesive
- 1 Suture bag
- 1 Pediatric laparotomy drape, 102" x 121", with absorbent reinforcement
- 1 Table cover, reinforced poly, 50" x 90"

*Packaging: 8/cs*



### Laparotomy T-Drape with Incise

- Reinforcement, 28" x 23"
- Fenestration with incise 9" x 14"
- Contoured armboard covers
- Instrument pad
- Velcro-style line holders



### Laparotomy T-Drape with Instrument Pad

- Absorbent reinforcement, 29" x 29"
- 4" x 12" fenestration with adhesive
- Instrument pad
- Contoured armboard covers
- Velcro-style line holders

### Proxima Laparotomy T-Drape with Incise and Instrument Pad

DYNJP3002

Packaging: 14/cs

Non-Sterile Item Number: SPT-25355  
(for use in custom trays; not sold separately)

### Proxima Laparotomy T-Drape with Instrument Pad

DYNJP3003

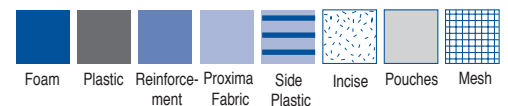
Packaging: 12/cs

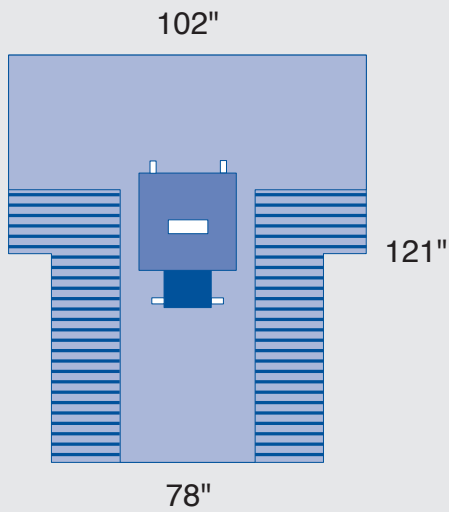
Non-Sterile Item Number: SPT-3110S  
(for use in custom trays; not sold separately)



Proxima Protection Products from Medline

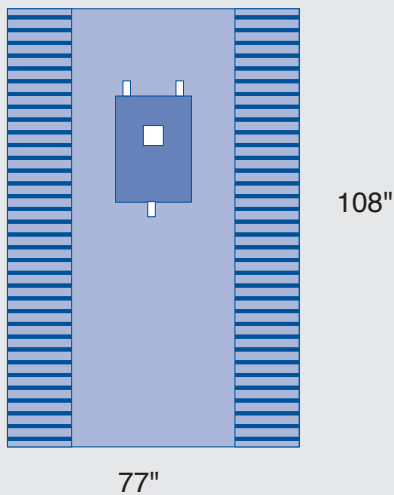
All products are sterile and latex free unless otherwise indicated.





### Transverse Laparotomy Drape

- Absorbent reinforcement, 29" x 29"
- 14" x 4" fenestration with adhesive
- Instrument pad
- Contoured armboard covers
- Velcro-style line holders



### Pediatric Laparotomy Drape

- Absorbent reinforcement, 29" x 20"
- 6" x 6" fenestration with adhesive
- Velcro-style line holders

### Proxima Transverse Laparotomy Drape

DYNJP3005

Packaging: 12/cs

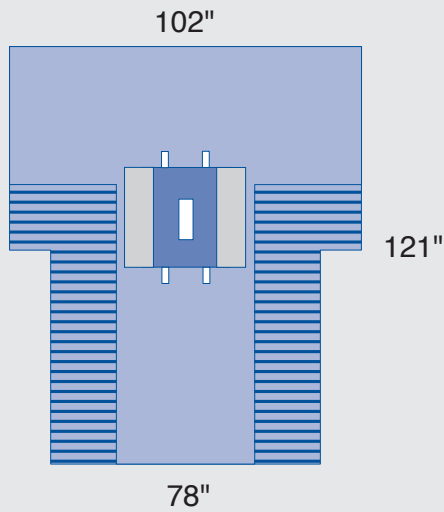
Non-Sterile Item Number: SPT-3140S  
(for use in custom trays; not sold separately)

### Proxima Pediatric Laparotomy Drape

DYNJP3007

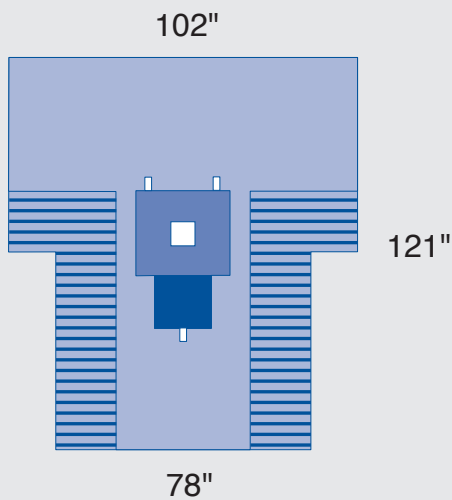
Packaging: 10/cs

Non-Sterile Item Number: SPT-3160S  
(for use in custom trays; not sold separately)



### Laparotomy Drape with Pouches

- 4" x 12" fenestration with adhesive
- Contoured armboard covers
- Clear plastic fluid collection pouches with velcro-style closures
- Velcro-style line holders



### Pediatric Laparotomy T-Drape

- Absorbent reinforcement, 28" x 28"
- 6" x 6" fenestration with adhesive
- Contoured armboard covers
- Instrument pad
- Velcro-style line holders

### Proxima Laparotomy Drape with Pouches

DYNJP3008

Packaging: 12/cs

Non-Sterile Item Number: SPT-3130S  
(for use in custom trays; not sold separately)

### Proxima Pediatric Laparotomy T-Drape

DYNJP3009

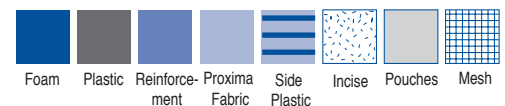
Packaging: 10/cs

Non-Sterile Item Number: SPT-2545S  
(for use in custom trays; not sold separately)

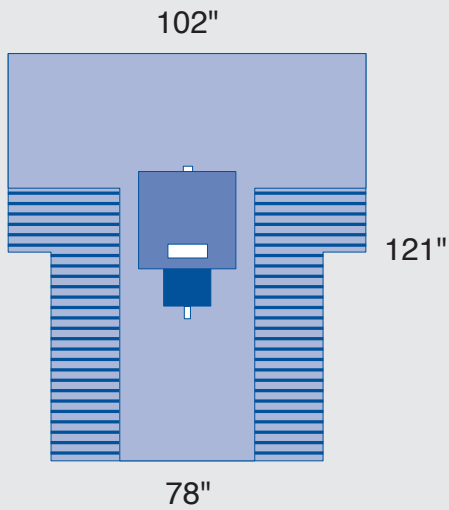


Proxima Protection Products from Medline

All products are sterile and latex free unless otherwise indicated.







### Pfannenstiel Laparotomy Drape

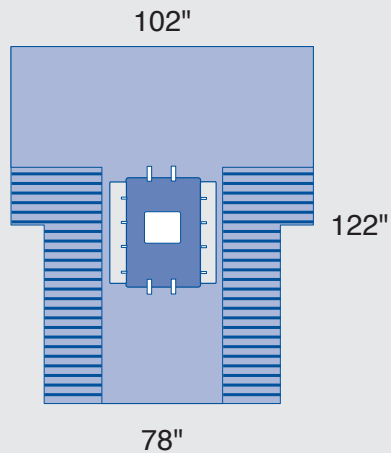
- Absorbent reinforcement, 29" x 29"
- 14" x 4" fenestration with adhesive
- Instrument pad
- Contoured armboard covers
- Velcro-style line holders

### Proxima Pfannenstiel Laparotomy Drape \*

Non-Sterile Item Number: SPT-3170S

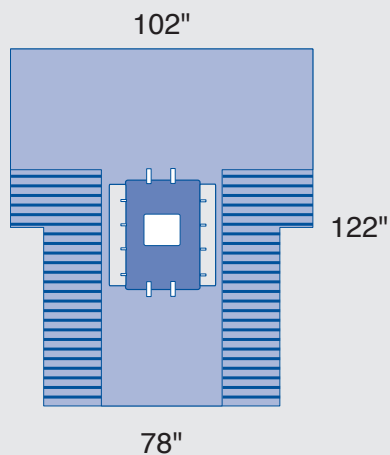
*(for use in custom trays; not sold separately)*

\* not available sterile



### Laparoscopic Abdominal Drape included in pack DYNJP3100

- Absorbent reinforcement, 16" x 38"
- 10" x 11" fenestration with adhesive
- (2) 11" x 30" clear poly troughs with velcro-style closures
- 4 velcro-style line holders
- Contoured armboard covers
- Drape also sold separately as DYNJP3102, sterile



### Major Abdominal Drape included in pack DYNJP3110

- Absorbent reinforcement, 16" x 38"
- 10" x 11" fenestration with adhesive
- (2) 11" x 30" fluid collection pouches with velcro-style closures
- 4 velcro-style line holders
- Contoured armboard covers
- Drape also sold separately as DYNJP3103, sterile

## Laparoscopic Abdominal Pack **DYNJP3100**

- 1 Gown, large, non-reinforced with towel in outer wrap
- 2 Hand towels
- 2 Gowns, large, non-reinforced
- 1 Mayo stand cover
- 4 Utility drapes with adhesive
- 1 Suture bag
- 1 Laparoscopic abdominal drape, 102" x 122"
- 1 Table cover, reinforced poly, 50" x 90"

Packaging: 6/cs

## Major Abdominal Pack **DYNJP3110**

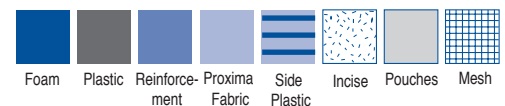
- 2 Hand towels
- 1 Mayo stand cover
- 4 Utility drapes with adhesive
- 1 Suture bag
- 1 Major abdominal drape, 102" x 122"
- 1 Table cover, reinforced poly, 50" x 90"

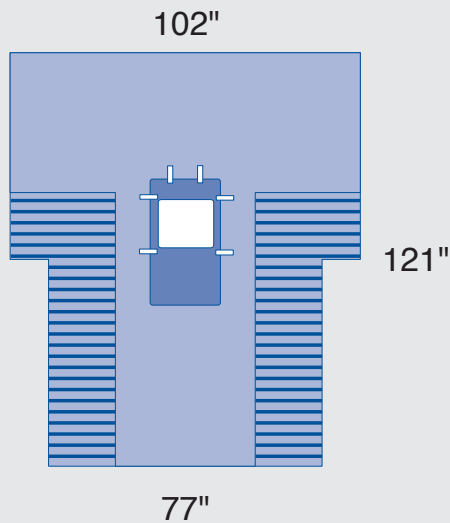
Packaging: 6/cs



Proxima Protection Products from Medline

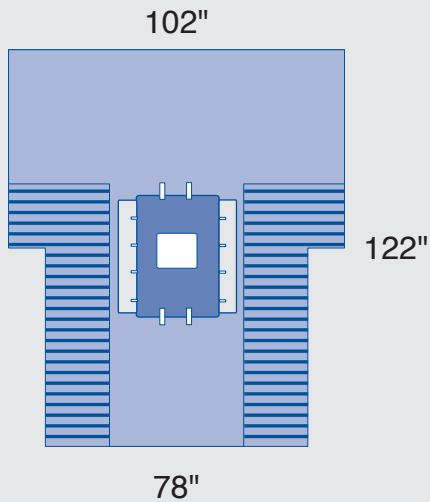
All products are sterile and latex free unless otherwise indicated.





### Laparoscopic Abdominal Drape

- Absorbent reinforcement, 20" x 36"
- 12" x 13" fenestration with adhesive
- Contoured armboard covers
- Velcro-style line holders



### Laparoscopic Cholecystectomy Drape

- Absorbent reinforcement, 16" x 38"
- 10" x 11" fenestration with adhesive
- (2) 11" x 30" clear poly troughs with velcro-style closures
- 4 velcro-style line holders
- Contoured armboard covers

### Proxima Laparoscopic Abdominal Drape

DYNJP3101

Packaging: 12/cs

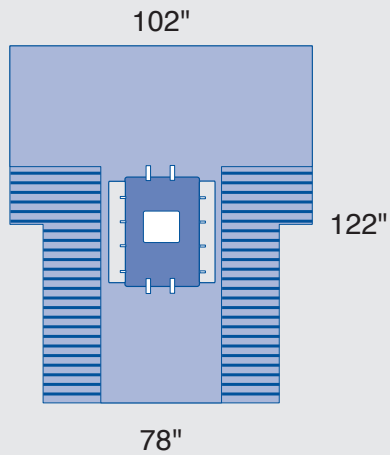
Non-Sterile Item Number: SPT-3815S  
(for use in custom trays; not sold separately)

### Proxima Laparoscopic Cholecystectomy Drape with Troughs

DYNJP3102

Packaging: 8/cs

Non-Sterile Item Number: SPT-3820S  
(for use in custom trays; not sold separately)



### Major Abdominal Drape

- Absorbent reinforcement, 16" x 38"
- 10" x 11" fenestration with adhesive
- (2) 11" x 30" fluid collection pouches with velcro-style closures
- 4 velcro-style line holders
- Contoured armboard covers

## Proxima Major Abdominal Drape DYNJP3103

Packaging: 8/cs

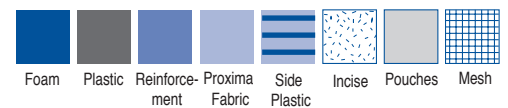
Non-Sterile Item Number: SPT-3830S

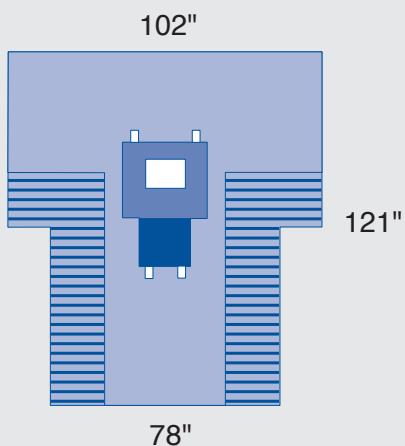
(for use in custom trays; not sold separately)



Proxima Protection Products from Medline

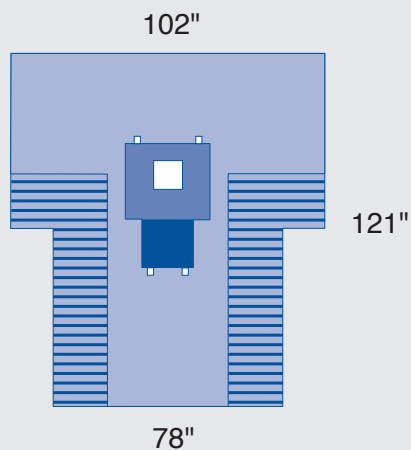
All products are sterile and latex free unless otherwise indicated.





### Chest/Breast Drape

- Absorbent reinforcement, 28" x 28"
- 15" x 10" fenestration with adhesive
- Contoured armboard covers
- Instrument pad
- Velcro-style line holders



### Minor Procedure Drape

- Absorbent reinforcement, 20" x 18"
- 6" x 6" fenestration with adhesive
- Contoured armboard covers
- Instrument pad
- Velcro-style line holders

### Proxima Chest/Breast Drape 15" x 10" Fenestration

DYNJP2491

Packaging: 12/cs

Non-Sterile Item Number: SPT-2540S  
(for use in custom trays; not sold separately)

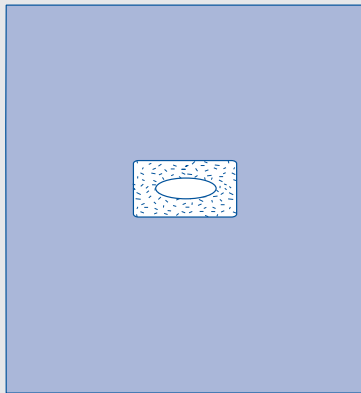
### Proxima Minor Procedure Drape 6" x 6" Fenestration

DYNJP2492

Packaging: 10/cs

Non-Sterile Item Number: SPT-2545S  
(for use in custom trays; not sold separately)



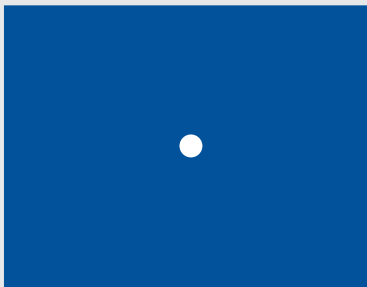


45"

41"

**Adherent Window Drape**

- Rectangular incise with 3½" x 7" fenestration



12"

19"

**Proxima Circumcision Drape**

- Foam
- ⅝" circular fenestration

**Proxima Adherent Window Drape DYNJP2493***Packaging: 34/cs*

Non-Sterile Item Number: SPT-3190S  
*(for use in custom trays; not sold separately)*

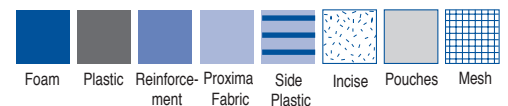
**Proxima Circumcision Drape DYNJP6003***Packaging: 40/cs*

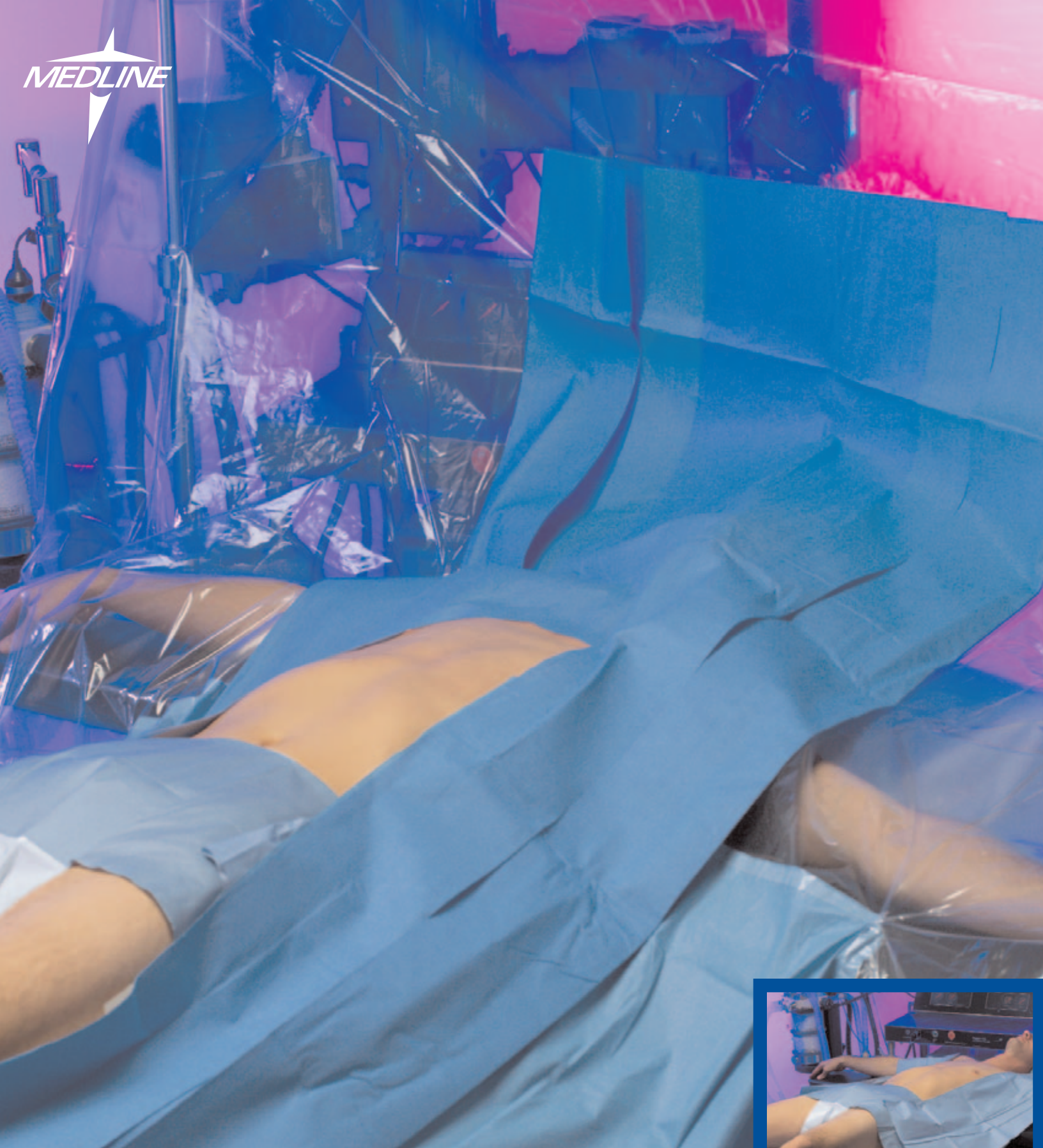
Non-Sterile Item Number: 10301  
*(for use in custom trays; not sold separately)*



Proxima Protection Products from Medline

*All products are sterile and latex free unless otherwise indicated.*



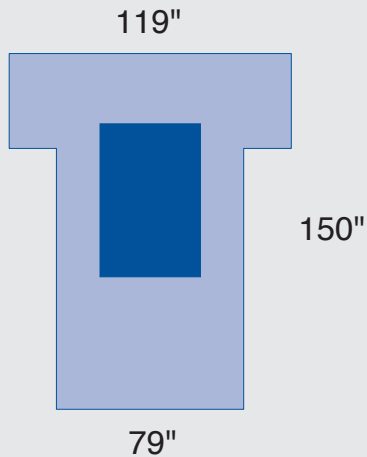


**PROXIMA**

**CARDIOVASCULAR**

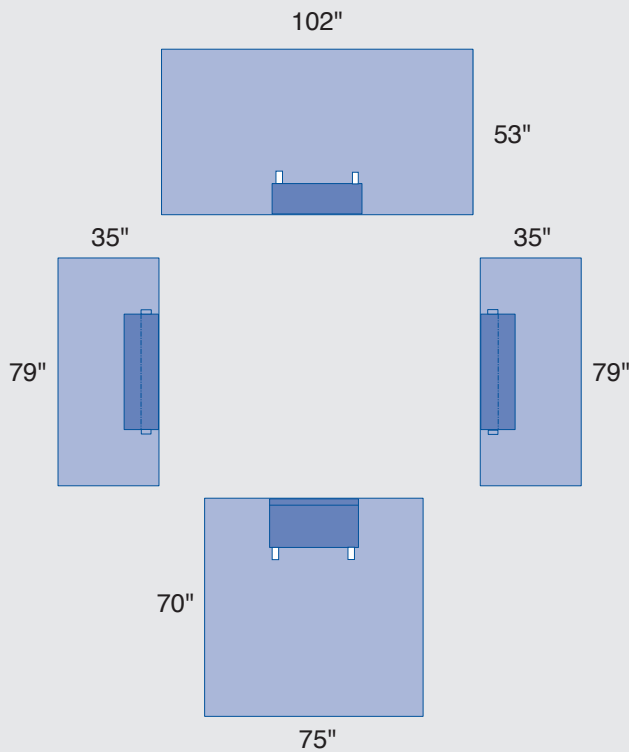
|                              |  | Page<br>Number | Case<br>Pack | Allegiance<br>Convertors | Molnlycke<br>Barrier | Kimberly<br>Clarke         | Maxxim<br>Boundary    |
|------------------------------|--|----------------|--------------|--------------------------|----------------------|----------------------------|-----------------------|
| <b>Cardiovascular Packs</b>  |  |                |              |                          |                      |                            |                       |
| DYNJP4000                    | Cardiovascular Pack I                        | 41             | 4            | 9150                     | —                    | —                          | —                     |
| DYNJP4010                    | Cardiovascular Pack II                       | 41             | 3            | 29153                    | 1269                 | 88741                      | —                     |
| DYNJP4020                    | Cardiovascular Split Pack                    | 42             | 3            | 29158                    | 0173/1273            | 88731                      | CV073                 |
| <b>Angiography Drapes</b>    |  |                |              |                          |                      |                            |                       |
| DYNJP4101                    | Femoral Angiography Drape 77" x 110"         | 47             | 20           | 29459 / 29457            | 1210                 | 89461                      | —                     |
| DYNJP4102                    | Femoral Angiography Drape 77" x 125"         | 47             | 18           | 29460/29489              | 0210                 | 89704/89705<br>89706/89464 | FA010 /FA011<br>FA025 |
| DYNJP4104                    | Femoral Angiography Drape 84" x 135"         | 48             | 20           | —                        | 0215/0211            | —                          | —                     |
| DYNJP4105                    | Brachial Angiography Drape                   | 48             | 18           | 29458                    | 1212                 | 89471                      | —                     |
| <b>Cardiovascular Drapes</b> |  |                |              |                          |                      |                            |                       |
| DYNJP4001                    | C-V Drape                                    | 43             | 10           | —                        | —                    | —                          | CV006                 |
| DYNJP4002                    | Top Drape                                    | 43             | 14           | 29352                    | 0203                 | 89381/89348                | TD020                 |
| DYNJP4003                    | Cardiovascular Split Drape                   | 44             | 8            | 29154                    | 0376                 | 89451/89452                | CV016                 |
| DYNJP4004                    | Cardiovascular Incise Drape                  | 44             | 8            | 9156                     | 1278/1274            | 89465/89466                | CV040                 |
| DYNJP4005                    | C-V Split Drape with Pouches                 | 45             | 8            | 9155                     | —                    | —                          | —                     |
| DYNJP4006                    | C-V Split Drape with Clear Anesthesia Screen | 45             | 8            | 9158                     | 0373                 | 66350                      | CV074                 |
| DYNJP4007                    | Bilateral Split Drape                        | 46             | 20           | —                        | —                    | —                          | —                     |





**C-V Drape included in pack DYNJP4000**

- Foam reinforcement, 39" x 66"
- Contoured armboard covers
- Nonfenestrated
- Available separately as DYNJP4001, sterile



**Top, Side and Bottom Drapes included in pack DYNJP4010**

- Absorbent reinforcements
- Adhesive along reinforced edge
- Velcro-style line holders

**Cardiovascular Pack I**

**DYNJP4000**

- 3 Hand towels
- 3 Gowns, x-large, poly-reinforced
- 1 Mayo stand cover
- 1 ¼ drape, 53" x 77"
- 6 Utility drapes with adhesive
- 1 C-V drape, nonfenestrated, 119" x 150"
- 1 Table cover, reinforced poly, 50" x 90"

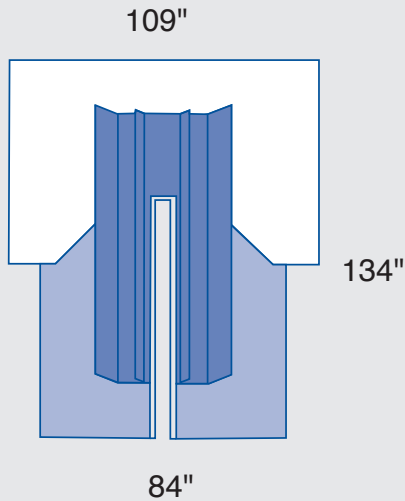
*Packaging: 4/cs*

**Cardiovascular Pack II**

**DYNJP4010**

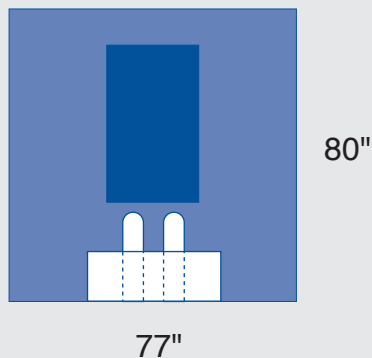
- 1 Gown, large, poly-reinforced with towel in outer wrap
- 6 Hand towels
- 2 Gowns, x-large, poly-reinforced
- 1 Mayo stand cover
- 1 Top drape, with adhesive, 102" x 53"
- 2 Side drapes, with adhesive, 35" x 79"
- 1 Bottom drape, with adhesive, 70" x 75"
- 8 Utility drapes, with adhesive
- 1 Suture bag
- 1 Table cover, reinforced poly, 50" x 90"

*Packaging: 3/cs*



**C-V Split Drape with Clear Anesthesia Screen included in pack DYNJP4020**

- Top absorbent reinforcement, 32" x 40"
- Split reinforcement, 84" x 25"
- Split with adhesive, 6" x 84"
- Contoured armboard covers
- Clipping tabs
- Available separately as DYNJP4006, sterile



**Bilateral Split Drape used in pack DYNJP4020**

- Absorbent reinforcement, 24" x 80" under legs, 35" x 11.5" under perineum area
- Two 6" splits with tape
- Groin towel with adhesive
- Available separately as DYNJP4007, sterile

**Cardiovascular Pack III**

**DYNJP4020**

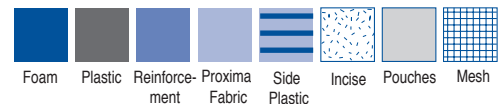
- 1 Gown, large, poly-reinforced with towel in outer wrap
- 2 Hand towels
- 2 Gowns, large, poly-reinforced
- 1 Mayo stand cover
- 1  $\frac{3}{4}$  drape, 53" x 77"
- 8 Utility drapes with tape
- 1 Suture bag
- 1 C-V split drape, 109" x 134" with clear anesthesia screen
- 1 Bilateral split drape, 77" x 80"
- 1 Heavy duty table cover, reinforced poly, 79" x 110"

*Packaging: 3/cs*

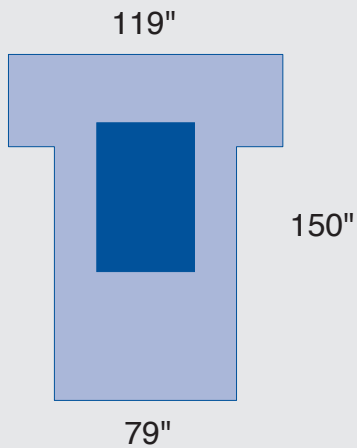


Proxima Protection Products from Medline

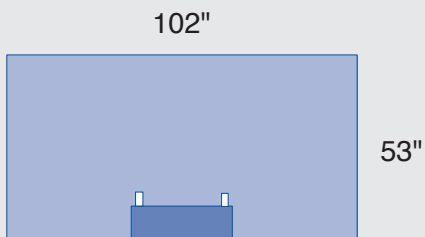
*All products are sterile and latex free unless otherwise indicated.*





**C-V Drape**

- Foam reinforcement, 39" x 66"
- Contoured armboard covers
- Nonfenestrated

**Top Drape**

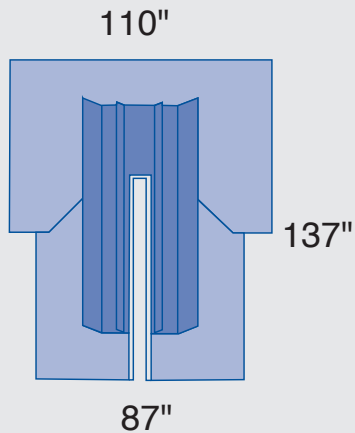
- Absorbent reinforcement, 29" x 10"
- Velcro-style line holders
- Adhesive along reinforced edge

**Proxima C-V Drape****DYNJP4001***Packaging: 10/cs*

Non-Sterile Item Number: SPT-4200S  
*(for use in custom trays; not sold separately)*

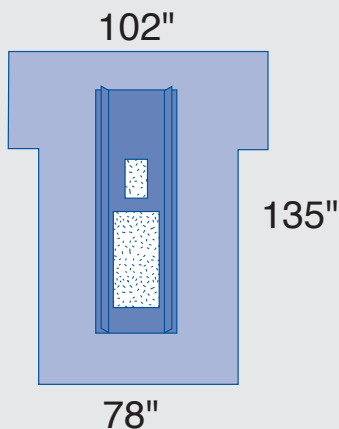
**Proxima Top Drape****DYNJP4002***Packaging: 14/cs*

Non-Sterile Item Number: SPT-4205S  
*(for use in custom trays; not sold separately)*



### C-V Split Drape

- Top-absorbent reinforcement, 29" x 46"
- Split reinforcement, 70" x 20"
- Split with adhesive, 6" x 90"
- Contoured armboard covers
- Clipping tabs



### Cardiovascular Incise Drape

- Impervious reinforcement, 108" x 46" with troughs
- Armboard covers
- Chest and leg fenestrations with incise, 14" x 18" and 24" x 42"
- Clipping tabs

### Proxima C-V Split Drape

DYNJP4003

Packaging: 8/cs

Non-Sterile Item Number: SPT-4202S

(for use in custom trays; not sold separately)

### Proxima Cardiovascular Incise Drape

DYNJP4004

Packaging: 8/cs

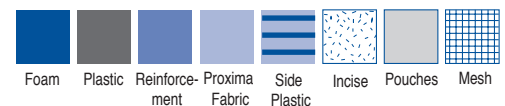
Non-Sterile Item Number: SPT-4203S

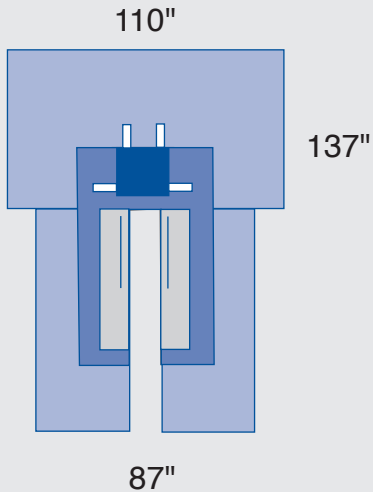
(for use in custom trays; not sold separately)



Proxima Protection Products from Medline

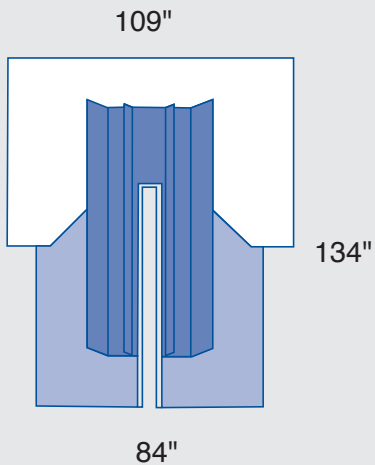
All products are sterile and latex free unless otherwise indicated.





**C-V Split Drape with Pouches**

- Absorbent reinforcement, 38" x 100"
- Instrument pad
- Contoured armboard covers
- Two 12" x 64" clear pouches with velcro-style closure
- Split with adhesive, 6" x 90"
- Velcro-style line holders



**C-V Split Drape with Clear Anesthesia Screen**

- Top absorbent reinforcement, 32" x 40"
- Split reinforcement, 84" x 25"
- Split with adhesive, 6" x 84"
- Clear anesthesia screen, 109" x 72"
- Contoured armboard covers
- Clipping tabs, 12½" x 94"

**Proxima C-V Split Drape with Pouches**

**DYNJP4005**

*Packaging: 8/cs*

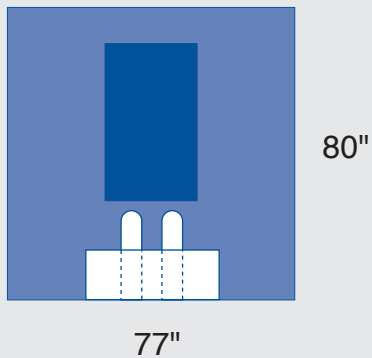
Non-Sterile Item Number: SPT-4208S  
*(for use in custom trays; not sold separately)*

**Proxima C-V Split Drape with Clear Anesthesia Screen**

**DYNJP4006**

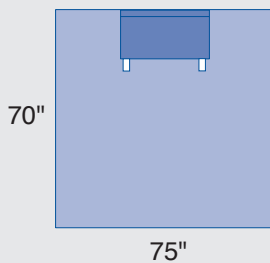
*Packaging: 8/cs*

Non-Sterile Item Number: SPT-4201S  
*(for use in custom trays; not sold separately)*



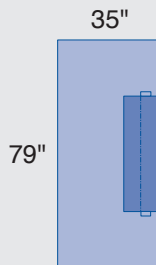
### Bilateral Split Drape

- Absorbent reinforcement, 24" x 80" under legs, 35" x 11.5" under perineum area
- Two 6" splits with tape
- Groin towel with adhesive



### Proxima Bottom Drape

- Absorbent reinforcement 29" x 16"
- Adhesive along reinforced edge
- Velcro-style line holders



### Proxima Side Drape

- Absorbent reinforcement 12" x 40"
- Adhesive along reinforced edge
- Clipping tabs

### Proxima Bilateral Split Drape

DYNJP4007

Packaging: 20/cs

Non-Sterile Item Number: SPT-4204S  
(for use in custom trays; not sold separately)

### Proxima Bottom Drape

\*

Non-Sterile Item Number: SPT-4206S  
(for use in custom trays; not sold separately)

\* not available sterile

### Proxima Side Drape

\*

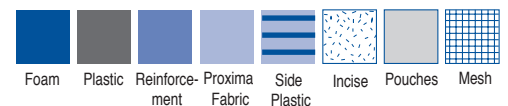
Non-Sterile Item Number: SPT-4207S  
(for use in custom trays; not sold separately)

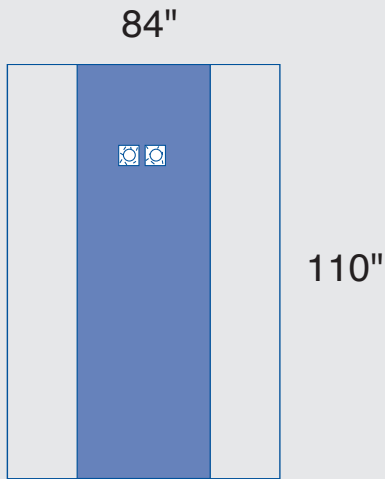
\* not available sterile



Proxima Protection Products from Medline

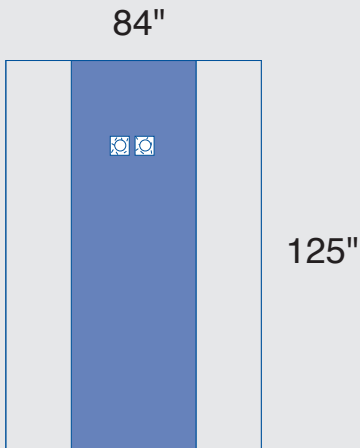
All products are sterile and latex free unless otherwise indicated.





**Femoral Angiography Drape, 84" x 110"**

- Absorbent reinforcement, 34" x 110"
- Dual clear side panels
- Dual 6" circular fenestrations with incise, 3½" apertures



**Femoral Angiography Drape, 84" x 125"**

- Absorbent reinforcement, 34" x 125"
- Dual clear side panels
- Dual 6" circular fenestrations with incise, 3½" apertures

**Proxima Femoral Angiography Drape**

**DYNJP4101**

*Packaging: 20/cs*

Non-Sterile Item Number: 27082

*(for use in custom trays; not sold separately)*

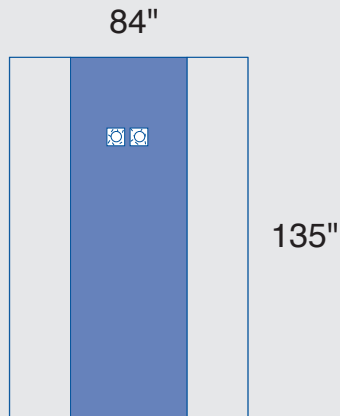
**Proxima Femoral Angiography Drape**

**DYNJP4102**

*Packaging: 18/cs*

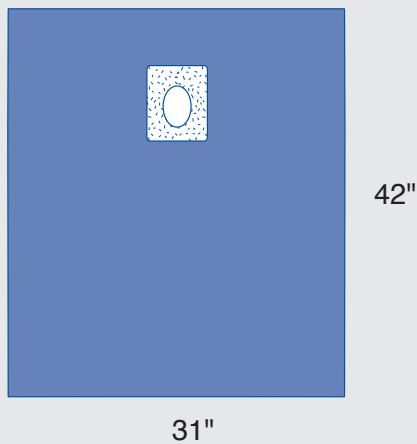
Non-Sterile Item Number: 27083

*(for use in custom trays; not sold separately)*



### Femoral Angiography Drape, 84" x 135"

- Absorbent reinforcement, 34" x 135"
- Dual clear side panels
- Dual 6" circular fenestrations with incise, 3½" apertures



### Brachial Angiography Drape

- 3¼" x 4¼" oval fenestration with incise

### Proxima Femoral Angiography Drape

DYNJP4104

Packaging: 20/cs

Non-Sterile Item Number: 27084  
(for use in custom trays; not sold separately)

### Proxima Brachial Angiography Drape

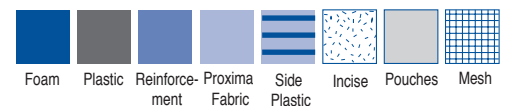
DYNJP4105

Packaging: 18/cs



Proxima Protection Products from Medline

All products are sterile and latex free unless otherwise indicated.





**PROXIMA**

**CYSTOSCOPY**

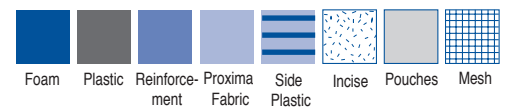


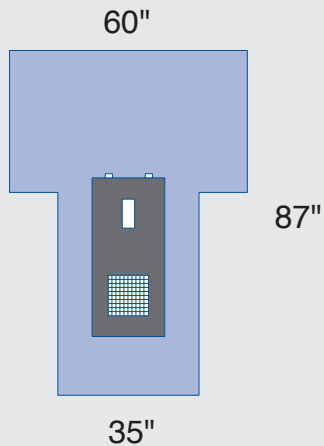
|                               |                                   | <u>Page<br/>Number</u> | <u>Case<br/>Pack</u> | <u>Allegiance<br/>Convertors</u> | <u>Molnlycke<br/>Barrier</u> | <u>Kimberly<br/>Clarke</u> | <u>Maxxim<br/>Boundary</u> |
|-------------------------------|-----------------------------------|------------------------|----------------------|----------------------------------|------------------------------|----------------------------|----------------------------|
| <b>Cystoscopy Packs</b>       |                                   |                        |                      |                                  |                              |                            |                            |
| DYNJP5000                     | Cystoscopy Pack I                 | 51                     | 14                   | 29380                            | 1220                         | 88611/88618                | CY016                      |
| DYNJP5010                     | Cystoscopy Pack II                | 51                     | 10                   | 29360                            | 1222                         | 88621                      | CY036                      |
| DYNJP5020                     | Cystoscopy Pack III               | 52                     | 8                    | 29371                            | 1223                         | 88631/88638                | CY026                      |
| DYNJP5030                     | Cystoscopy Pack IV                | 52                     | 14                   | —                                | —                            | —                          | —                          |
| <b>Cystoscopy Accessories</b> |                                   |                        |                      |                                  |                              |                            |                            |
| DYNJP2460                     | Leggings - 2 pack 29X43 + 6" cuff | 53                     | 20                   | 8420                             | 1255                         | 89401                      | LG015                      |
| DYNJP2461                     | Leggings XL 33X51 + 6" cuff       | 53                     | 20                   | 8430                             | 0255                         | —                          | LG025                      |



Proxima Protection Products from Medline

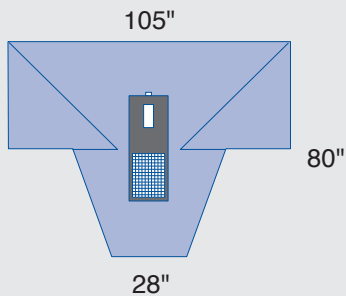
*All products are sterile and latex free unless otherwise indicated.*





#### Cystoscopy T-Drape included in pack DYNJP5000

- Impervious reinforcement, 18" x 39"
- Fenestration, 3" x 7"
- Mesh screen, 10" x 10"
- Velcro-style line holders



#### Cystoscopy Drape included in pack DYNJP5010

- Impervious reinforcement, 13" x 36"
- Fenestration, 3" x 7"
- Mesh screen, 10" x 10"
- Attached leggings
- Velcro-style line holders

#### Cystoscopy Pack I

**DYNJP5000**

- 1 Hand towel
- 2 Leggings
- 1 Cystoscopy T-drape, 60" x 87"
- 1 Table cover, reinforced poly, 44" x 76"

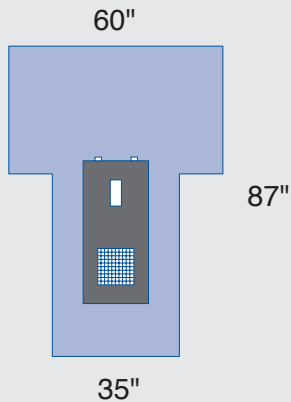
*Packaging: 14/cs*

#### Cystoscopy Pack II

**DYNJP5010**

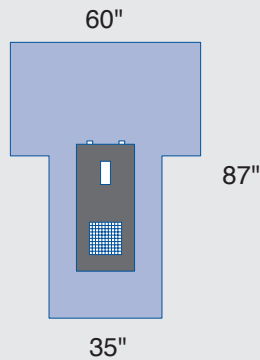
- 1 Hand towel
- 1 Cystoscopy drape with attached leggings, 105" x 80"
- 1 Table cover, reinforced poly, 44" x 76"

*Packaging: 10/cs*



**Cystoscopy T-Drape included in pack DYNJP5020**

- Impervious reinforcement, 18" x 39"
- Fenestration, 3" x 7"
- Mesh screen, 10" x 10"
- Velcro-style line holders



**Cystoscopy T-Drape included in pack DYNJP5030**

- Impervious reinforcement, 18" x 39"
- Fenestration, 3" x 7"
- Mesh screen, 10" x 10"
- Velcro-style line holders

**Cystoscopy Pack III**

**DYNJP5020**

- 2 Hand towels
- 1 Gown, x-large, x-long, poly-reinforced
- 2 Leggings
- 1 Cystoscopy T-drape, 60" x 87"
- 1 Table cover, reinforced poly, 44" x 76"

*Packaging: 8/cs*

**Cystoscopy Pack IV**

**DYNJP5030**

- 2 Hand towels
- 1 Cystoscopy T-drape, 60" x 87"
- 1 Table cover, reinforced poly, 44" x 76"

*Packaging: 14/cs*



29"



43"

**Leggings****Proxima Leggings, 29" x 43"****DYNJP2460**

2 Leggings, 29" x 43" with 6" cuff

*Packaging: 20 pr/cs*

Non-Sterile Item Number: 12147

*(for use in custom trays; not sold separately)*

33"



51"

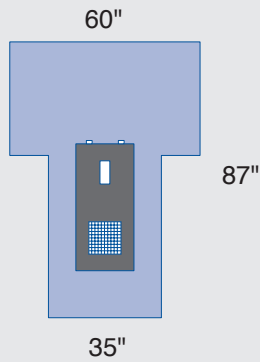
**Extra Large Leggings****Proxima Leggings, X-Large,  
33" x 51"****DYNJP2461**

2 Leggings, X-Large, 33" x 51" with 6" cuff

*Packaging: 20 pr/cs*

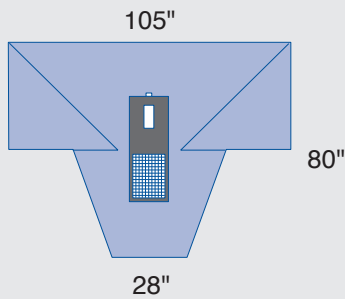
Non-Sterile Item Number: 27478

*(for use in custom trays; not sold separately)*



### Cystoscopy T-Drape

- Impervious reinforcement, 18" x 39"
- Fenestration, 3" x 7"
- Mesh screen, 10" x 10"
- Velcro-style line holders



### Cystoscopy Drape

- Impervious reinforcement, 13" x 36"
- Fenestration, 3" x 7"
- Mesh screen, 10" x 10"
- Attached leggings
- Velcro-style line holders

### Proxima Cystoscopy T-Drape \*

Non-Sterile Item Number: SPT-5090S  
(for use in custom trays; not sold separately)

\* not available sterile

### Proxima Cystoscopy Drape with Attached Leggings \*

Non-Sterile Item Number: SPT-5091S  
(for use in custom trays; not sold separately)

\* not available sterile

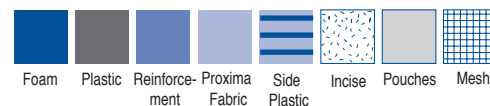




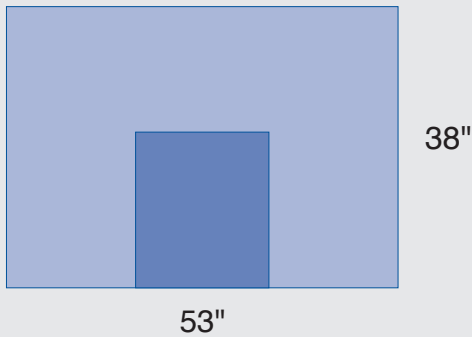
**PROXIMA**

**OBSTETRICS**

|                         |   | Page<br>Number | Case<br>Pack | Allegiance<br>Convertors | Molnlycke<br>Barrier | Kimberly<br>Clarke | Maxxim<br>Boundary |
|-------------------------|---|----------------|--------------|--------------------------|----------------------|--------------------|--------------------|
| <b>OB Packs</b>         |   |                |              |                          |                      |                    |                    |
| DYNJP6000               | OB Pack I                                     | 57             | 6            | 29760                    | —                    | —                  | LD012              |
| DYNJP6010               | OB Pack II                                    | 57             | 6            | 29730                    | 1235                 | 88831              | LD030              |
| DYNJP6020               | OB Pack III                                   | 58             | 6            | 29700                    | —                    | 88841              | LD070              |
| DYNJP6030               | OB Pack IV                                    | 59             | 6            | —                        | 1238                 | —                  | —                  |
| DYNJP6040               | OB Pack V                                     | 59             | 6            | —                        | 0238                 | —                  | —                  |
| <b>C-Section Packs</b>  |   |                |              |                          |                      |                    |                    |
| DYNJP6100               | C-Section Pack I                              | 64             | 4            | 29780                    | 0230                 | 88726/88729        | OB080              |
| DYNJP6110               | C-Section Pack II                             | 64             | 4            | 29781                    | 1239/1237            | 88728/88727        | OB070 / OB075      |
| DYNJP6120               | C-Birth Plus Pack                             | 65             | 2            | 28000-200                | —                    | —                  | —                  |
| DYNJP6130               | C-Birth Pack III                              | 66             | 4            | —                        | 0233                 | —                  | —                  |
| <b>C-Section Drapes</b> |   |                |              |                          |                      |                    |                    |
| DYNJP6101               | C-Section Drape, Pouch and Incise             | 67             | 7            | 29447/29448              | 0231                 | 89525/89529        | CS080              |
| DYNJP6102               | C-Section Drape, Pouch and Fenestrated Incise | 67             | 7            | 29449/29452              | 0239                 | 89526/89528        | CS070              |
| <b>OB Accessories</b>   |   |                |              |                          |                      |                    |                    |
| DYNJP6001               | Underbuttocks Drape                           | 60             | 40           | 8483                     | 1229                 | 89413              | UB015              |
| DYNJP6002               | Underbuttocks Drape with Pouch                | 60             | 20           | 8482/8484                | 0229                 | 89414              | FP015/FP016        |
| DYNJP6003               | Circumcision Drape                            | 60             | 40           | —                        | —                    | —                  | —                  |
| DYNJP2460               | Leggings - 2 pack 29X43 + 6" cuff             | 53             | 20           | 8420                     | 1255                 | 89401              | LG015              |
| DYNJP2461               | Leggings XL 33X51 + 6" cuff                   | 53             | 20           | 8430                     | 0255                 | —                  | LG025              |

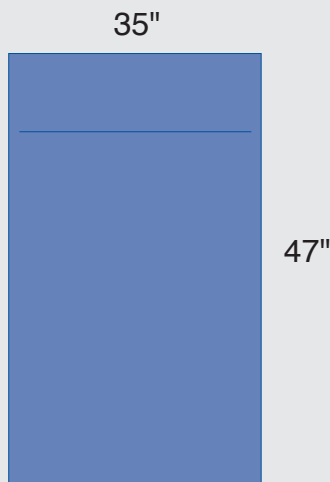






**Abdominal Drape included in packs DYNJP6000, DYNJP6010**

- Absorbent reinforcement, 21" x 18"
- Adhesive



**Underbuttocks drape included in packs DYNJP6000, DYNJP6010**

- Drape is also available separately as DYNJP6001, sterile

**OB Pack I**

**DYNJP6000**

- 2 Hand towels
- 1 Underbuttocks drape with cuff
- 10 Gauze sponges, x-ray detectable, 4" x 4," 16 ply
- 2 Leggings
- 2 OB pads, 11"
- 1 Placenta basin
- 1 Set-up cover, 40" x 70"
- 1 Umbilical cord clamp
- 1 Vaginal packing sponge, x-ray detectable, 4" x 36"
- 1 Abdominal drape with absorbent reinforcement, 53" x 38"
- 1 Table cover, reinforced poly, 44" x 76"

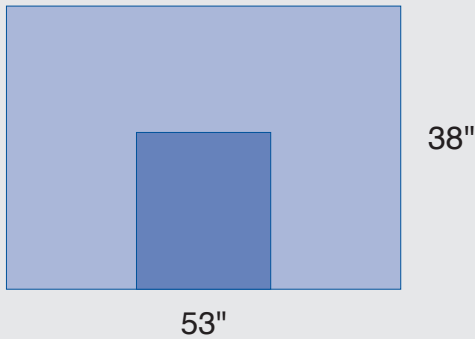
*Packaging: 6/cs*

**OB Pack II**

**DYNJP6010**

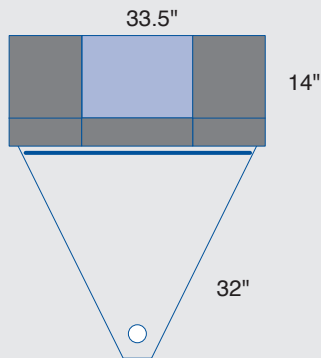
- 3 Hand towels
- 1 Gown, large, poly-reinforced
- 1 Underbuttocks drape, with cuff
- 1 Baby blanket, 30" x 35"
- 1 Ear/Ulcer syringe, 2oz.
- 10 Gauze sponges, x-ray detectable, 4" x 4," 16 ply
- 2 Leggings
- 2 OB pads, 11"
- 1 Placenta basin
- 1 Set-up cover, 40" x 70"
- 1 Umbilical cord clamp
- 1 Vaginal packing sponge, x-ray detectable, 4" x 36"
- 1 Abdominal drape with absorbent reinforcement, 53" x 38"
- 1 Table cover, reinforced poly, 44" x 76"

*Packaging: 6/cs*



**Abdominal Drape included in pack DYNJP6020**

- Absorbent reinforcement, 21" x 18"
- Adhesive



**Underbuttocks Drape included in pack DYNJP6020**

- Drape also available separately as DYNJP6002, sterile

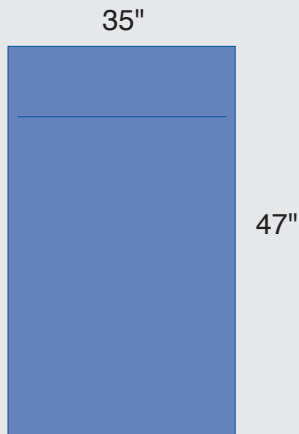
**OB Pack III**

**DYNJP6020**

- 3 Hand towels
- 1 Gown, large, poly-reinforced
- 1 Underbuttocks drape with fluid collection pouch
- 1 Baby blanket, 30" x 35"
- 1 Ear/Ulcer syringe, 2oz., blue
- 1 Ear/Ulcer syringe, 3oz., green
- 10 Gauze sponges, x-ray detectable, 4" x 4," 16 ply
- 2 Leggings
- 2 OB pads, 11"
- 1 Placenta basin
- 1 Set-up cover, 40" x 70"
- 1 Umbilical cord clamp
- 1 Vaginal packing sponge, x-ray detectable, 4" x 36"
- 1 Abdominal drape with absorbent reinforcement, 53" x 38"
- 1 Table cover, reinforced poly, 44" x 76"

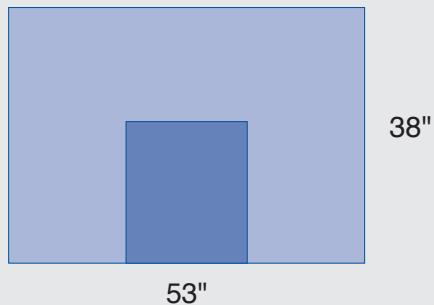
*Packaging: 6/cs*





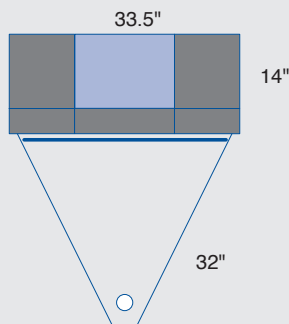
**Underbuttocks drape included in packs DYNJP6030, DYNJP6040**

- Drape is also available separately as DYNJP6001, sterile



**Abdominal Drape included in packs DYNJP6030, DYNJP6040**

- Absorbent reinforcement, 21" x 18"
- Adhesive



**Underbuttocks Drape included in packs DYNJP6030, DYNJP6040**

- Drape also available separately as DYNJP6002, sterile

**OB Pack IV**

**DYNJP6030**

- 1 Hand towels
- 1 Gown, large, extra long poly reinforced
- 1 Underbuttocks drape, with cuff
- 1 Baby blanket, 30" x 35"
- 1 Ear/Ulcer syringe, 2oz.
- 10 Gauze sponges, x-ray detectable, 4" x 4", 16 ply
- 2 Leggings
- 2 OB pads, 11"
- 1 Placenta basin
- 1 Set-up cover, 40" x 70"
- 1 Umbilical cord clamp
- 1 Vaginal packing sponge, x-ray detectable, 4" x 36"
- 1 Abdominal drape with absorbent reinforcement, 53" x 38"
- 1 Table cover, reinforced poly, 44" x 76"

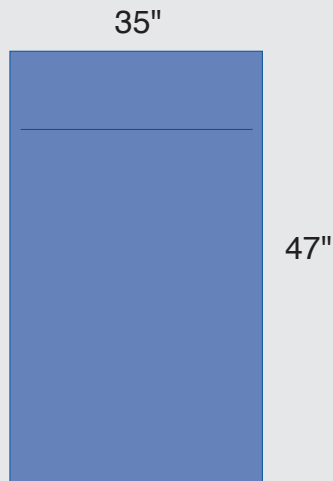
*Packaging: 6/cs*

**OB Pack V**

**DYNJP6040**

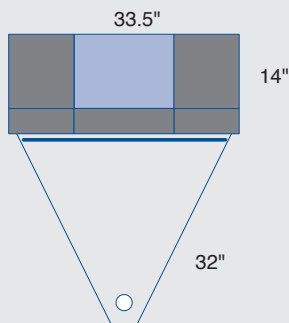
- 3 Hand towels
- 1 Gown, large, extra long, poly reinforced
- 1 Underbuttocks drape with fluid collection pouch
- 1 Baby blanket, 30" x 35"
- 1 Ear/Ulcer syringe, 2oz. blue
- 1 Ear/Ulcer syringe, 3oz. green
- 10 Gauze sponges, x-ray detectable, 4" x 4", 16 ply
- 2 Leggings
- 2 OB pads, 11"
- 1 Placenta basin
- 1 Set-up cover, 40" x 70"
- 1 Umbilical cord clamp
- 1 Vaginal packing sponge, x-ray detectable, 4" x 36"
- 1 Abdominal drape with absorbent reinforcement, 53" x 38"
- 1 Table cover, reinforced poly, 44" x 76"

*Packaging: 6/cs*

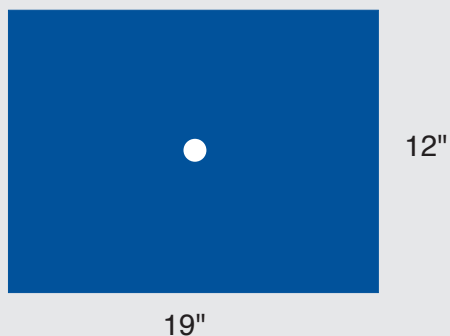


### Underbuttocks Drape

- 7" Cuff



### Underbuttocks Drape with Pouch and Drainage Port



### Proxima Circumcision Drape

- Foam
- $\frac{5}{8}$ " circular fenestration

### Proxima Underbuttocks Drape

DYNJP6001

Packaging: 40/cs

Non-Sterile Item Number: SPT-2490

(for use in custom trays; not sold separately)

### Proxima Underbuttocks Drape with Pouch and Port

DYNJP6002

Packaging: 20/cs

Non-Sterile Item Number: 08454

(for use in custom trays; not sold separately)

### Proxima Circumcision Drape

DYNJP6003

Packaging: 40/cs

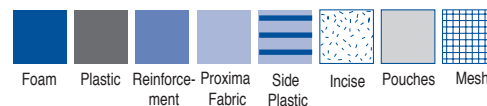
Non-Sterile Item Number: 10301

(for use in custom trays; not sold separately)



Proxima Protection Products from Medline

All products are sterile and latex free unless otherwise indicated.



29"



43"

**Leggings**

33"



51"

**Extra Large Leggings**

40"



70"

**Set-Up Cover****Proxima Leggings, 29" x 43"****DYNJP2460**

2 Leggings, 29" x 43" with 6" cuff

*Packaging: 20 pr/cs*

Non-Sterile Item Number: 12147

*(for use in custom trays; not sold separately)***Proxima Leggings, X-Large,  
33" x 51"****DYNJP2461**

2 Leggings, X-Large, 33" x 51" with 6" cuff

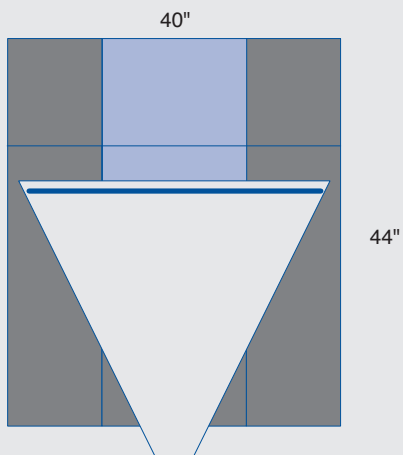
*Packaging: 20 pr/cs*

Non-Sterile Item Number: 27478

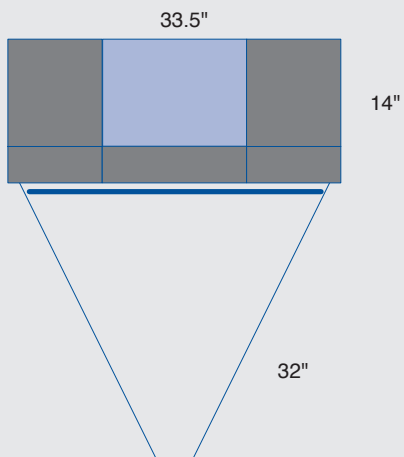
*(for use in custom trays; not sold separately)***Proxima Set-Up Cover, 40" x 70"****DYNJP2413***Packaging: 20/cs*

Non-Sterile Item Number: 20868

*(for use in custom trays; not sold separately)*



**Underbuttocks Drape with Backing and Pouch**



**Underbuttocks Drape with Pouch**

### Proxima Underbuttocks Drape with Backing and Pouch \*

Non-Sterile Item Number: SPT-2493

*(for use in custom trays; not sold separately)*

\* *not available sterile*

### Proxima Underbuttocks Drape with Pouch, No Port \*

Non-Sterile Item Number: SPT-2495

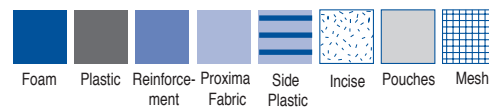
*(for use in custom trays; not sold separately)*

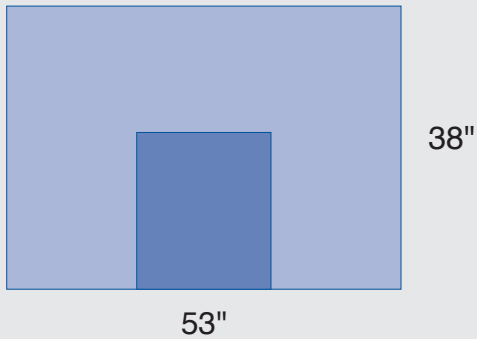
\* *not available sterile*



Proxima Protection Products from Medline

*All products are sterile and latex free unless otherwise indicated.*





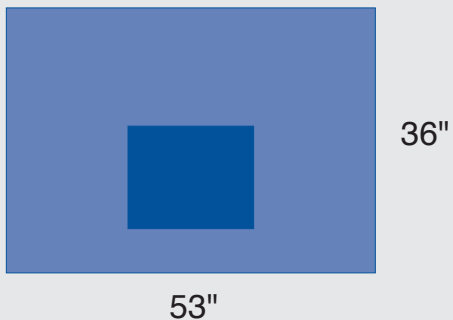
### Abdominal Drape

- Absorbent reinforcement, 21" x 18"
- Adhesive



### Economy Abdominal Drape

- Adhesive



### Economy Abdominal Drape with Foam

- Foam reinforcement, 19" x 11"
- Adhesive

---

### Proxima Abdominal Drape \*

Non-Sterile Item Number: SPT-2600S  
(for use in custom trays; not sold separately)

\* not available sterile

---

### Proxima Economy Abdominal Drape \*

Non-Sterile Item Number: 07479  
(for use in custom trays; not sold separately)

\* not available sterile

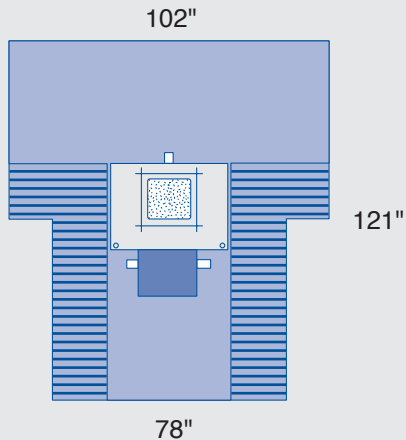
---

### Proxima Economy Abdominal Drape with Foam \*

Non-Sterile Item Number: 05902  
(for use in custom trays; not sold separately)

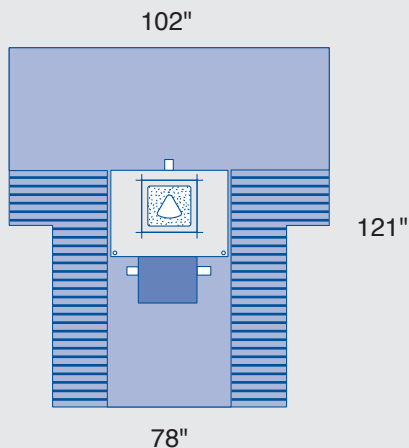
\* not available sterile





### C-Section Drape with Pouch and Incise included in pack DYNJP6100

- Absorbent reinforcement, 20" x 15"
- Incise fenestration, 15" x 13"
- 360° fluid control pouch with formers
- Contoured armboard covers
- Velcro-style line holders
- Drape also available separately as DYNJP6101, sterile



### C-Section Drape with Pouch and Fenestration included in pack DYNJP6110

- Absorbent reinforcement, 20" x 15"
- 15" x 13" incise area with pear shaped fenestration, 7" x 7"
- 360° fluid control pouch with formers
- Contoured armboard covers
- Velcro-style line holders
- Drape also available separately as DYNJP6102, sterile

### C-Birth Pack I

DYNJP6100

- 1 Gown, large, poly-reinforced with towel in outer wrap
- 4 Hand towels
- 2 Gowns, large, poly-reinforced
- 1 Mayo stand cover
- 1 Baby blanket, 30" x 35"
- 1 Ear/Ulcer syringe, 2oz.
- 2 OB pads, 11"
- 1 Placenta basin
- 1 Umbilical cord clamp
- 1 Suture bag
- 1 C-Section drape with pouch and blocked incise
- 1 Table cover, reinforced poly, 50" x 90"

Packaging: 4/cs

### C-Birth Pack II

DYNJP6110

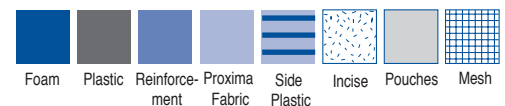
- 1 Gown, large, poly-reinforced with towel in outer wrap
- 4 Hand towels
- 2 Gowns, large, poly-reinforced
- 1 Mayo stand cover
- 1 Baby blanket, 30" x 35"
- 1 Ear/Ulcer syringe, 2oz.
- 2 OB pads, 11"
- 1 Placenta basin
- 1 Umbilical cord clamp
- 1 Suture bag
- 1 C-Section drape with pouch and fenestrated incise
- 1 Table cover, reinforced poly, 50" x 90"

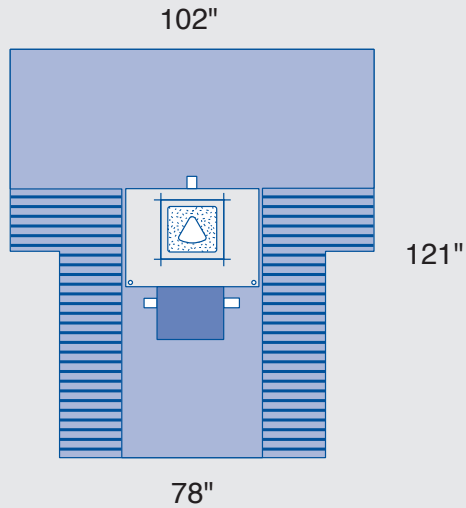
Packaging: 4/cs



Proxima Protection Products from Medline

All products are sterile and latex free unless otherwise indicated.





**C-Section Drape with pouch and fenestration included in pack DYNJP6120**

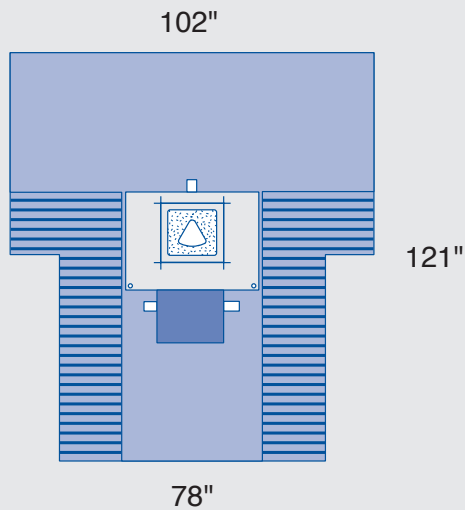
- Absorbent reinforcement, 20" x 15"
- 15" x 13" incise area with pear shaped fenestration, 7" x 7"
- 360° fluid control pouch with formers
- Contoured armboard covers
- Velcro-style line holders
- Drape also available separately as DYNJP6102, sterile

**C-Birth Plus Pack**

**DYNJP6120**

- 1 Gown, large, poly-reinforced with towel in outer wrap
- 2 Gowns, large, poly-reinforced
- 1 Mayo stand cover
- 1 Suture bag
- 1 C-Section drape with pouch and fenestrated incise
- 2 OB pads, 11"
- 1 Needle counter, 30 count
- 20 Lap sponges, 18" x 18," washed
- 1 Umbilical cord clamp
- 1 Ear/Ulcer syringe, 2oz.
- 1 Blood collection tube, red top
- 1 Blood collection tube, purple top
- 2 Blades, No. 10
- 1 Blade, No. 20
- 1 Placenta basin
- 5 O.R. towels
- 1 Baby blanket
- 1 Medicine cup, 2oz.
- 1 Bowl, 32oz., graduated
- 1 Suction tube, 12' x ¼ "
- 1 Yankauer, bulb tip without vent
- 2 Ring basins
- 2 CSR wraps, 54" x 54"
- 1 Table cover, reinforced poly, 60" x 90," heavy duty

*Packaging: 2/cs*



**C-Section Drape with Pouch and Fenestration included in pack  
DYNJP6130**

- Absorbent reinforcement, 20" x 15"
- 15" x 13" incise area with pear shaped fenestration, 7" x 7"
- 360° fluid control pouch with formers
- Contoured armboard covers
- Velcro-style line holders
- Drape also available separately as DYNJP6102, sterile

**C-Birth Pack III**

**DYNJP6130**

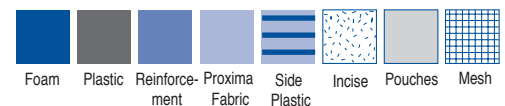
- 1 Mayo stand cover
- 1 C-Section drape with pouch and fenestrated incise
- 1 Baby blanket, 30" x 35"
- 1 Placenta basin
- 1 OB pad, 11"
- 1 Umbilical cord clamp
- 1 Ear/Ulcer syringe, 2oz.
- 1 Suture bag
- 1 Table cover, reinforced poly, 50" x 90"

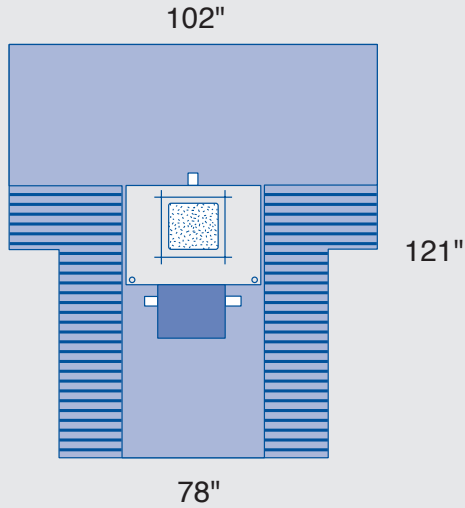
*Packaging: 4/cs*



Proxima Protection Products from Medline

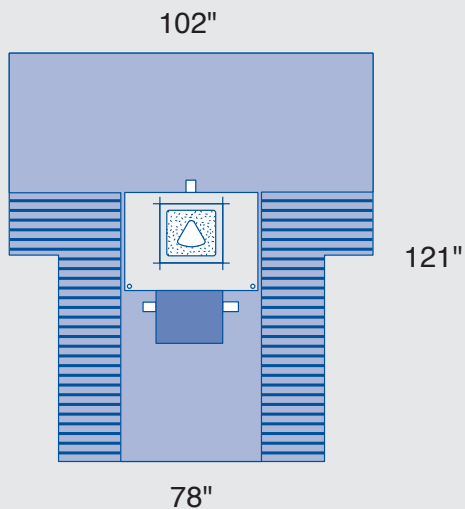
*All products are sterile and latex free unless otherwise indicated.*





### C-Section Drape with Pouch

- Absorbent reinforcement, 20" x 15"
- Incise fenestration, 15" x 13"
- 360° fluid control pouch with formers
- Contoured armboard covers
- Velcro-style line holders



### C-Section Drape with Pouch and Fenestration

- Absorbent reinforcement, 20" x 15"
- 15" x 13" incise area with pear shaped fenestration, 7" x 7"
- 360° fluid control pouch with formers
- Contoured armboard covers
- Velcro-style line holders

### Proxima C-Section Drape with Pouch

DYNJP6101

Packaging: 7/cs

Non-Sterile Item Number: SPT-2610S

(for use in custom trays; not sold separately)

### Proxima C-Section Drape with Pouch and Fenestration

DYNJP6102

Packaging: 7/cs

Non-Sterile Item Number: SPT-2620S

(for use in custom trays; not sold separately)



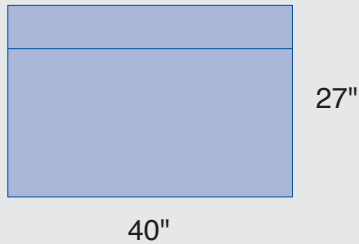
**PROXIMA**

**EENT/OPHTHALMOLOGY**

|                             |  | Page<br>Number | Case<br>Pack | Allegiance<br>Convertors | Molnlycke<br>Barrier | Kimberly<br>Clarke | Maxxim<br>Boundary |
|-----------------------------|--|----------------|--------------|--------------------------|----------------------|--------------------|--------------------|
| <b>Head and Neck Packs</b>  |  |                |              |                          |                      |                    |                    |
| DYNJP7000                   | EENT Pack I  | 71             | 8            | 9195                     | 1292                 | —                  | ET048              |
| DYNJP7010                   | EENT Pack II   | 71             | 6            | 9194                     | 1219                 | 88719/88711/88716  | ET058              |
| DYNJP7020                   | EENT Pack III  | 72             | 9            | —                        | 1218                 | —                  | —                  |
| DYNJP7030                   | EENT Pack IV   | 72             | 11           | —                        | 0175                 | —                  | —                  |
| <b>Head and Neck Drapes</b> |  |                |              |                          |                      |                    |                    |
| DYNJP7001                   | EENT Split Drape   | 73             | 8            | 19442                    | 1207                 | 88358/88351        | SP058              |
| DYNJP7002                   | Thyroid Drape  | 73             | 10           | 29422                    | —                    | 89255/89251        | TH016A             |
| DYNJP7003                   | Thyroid T-Drape  | 74             | 12           | 29522                    | 0286                 | 89258              | TH026              |
| DYNJP7008                   | Head Bar Drape   | 75             | 20           | —                        | —                    | 89431              | HD048              |
| DYNJP7009                   | Head Turban Drape  | 75             | 20           | 9556                     | 1217                 | 89438              | HD058              |
| <b>Ophthalmic Drapes</b>    |  |                |              |                          |                      |                    |                    |
| DYNJP7004                   | Eye Drape with Incise and Pouch                          | 76             | 10           | 7444                     | 1214                 | —                  | OS018              |
| DYNJP7005                   | Eye Drape w/Fenestrated Incise and Pouch                 | 76             | 10           | 7445                     | 0214                 | —                  | OS016              |
| DYNJP7006                   | Eye Drape, Full Length w/Incise and Pouch                | 77             | 10           | —                        | —                    | —                  | —                  |
| DYNJP7007                   | Eye Drape, Full Length with Fenestrated Incise and Pouch | 77             | 10           | 9562                     | —                    | 89356              | OS062              |
| <b>Neurosurgery Drapes</b>  |  |                |              |                          |                      |                    |                    |
| DYNJP10001                  | Craniotomy Drape with Pouch                              | 78             | 8            | 9448                     | 0291                 | 89062              | CR021              |

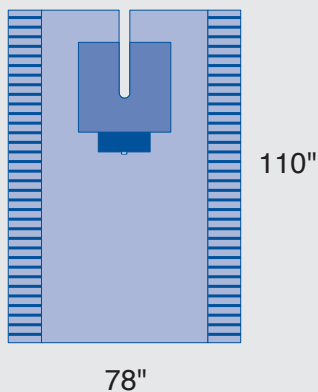






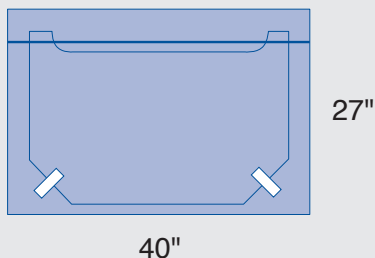
#### Head Bar Drape included in DYNJP7000

- Adhesive
- Drape available separately as DYNJP7008, sterile



#### EENT Split Drape included in packs DYNJP7000, DYNJP7010

- Absorbent reinforcement, 23" x 23"
- Split with adhesive, 3 1/2" x 24"
- Instrument pad
- Velcro-style line holders
- Drape available separately as DYNJP7001, sterile



#### Head Turban Drape included in pack DYNJP7010

- Adhesive
- Turban
- Drape available separately as DYNJP7009, sterile

#### EENT Pack I

DYNJP7000

- 1 Gown, large, non-reinforced with towel in outer wrap
- 2 Hand towels
- 1 Mayo stand cover
- 1 Suture bag
- 1 EENT split drape, with adhesive, 78" x 110"
- 1 Head bar drape, with adhesive, 40" x 27"
- 1 Table cover, reinforced poly, 50" x 90"

Packaging: 8/cs

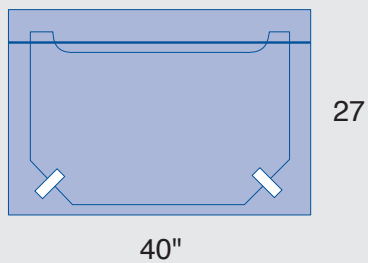
#### EENT Pack II

DYNJP7010

- 1 Gown, large, non-reinforced with towel in outer wrap
- 1 Hand towel
- 1 Gown, large, non-reinforced
- 1 Mayo stand cover
- 2 Utility drapes, with adhesive
- 1 Suture bag
- 1 EENT split drape, with adhesive, 78" x 110"
- 1 Head turban drape, with adhesive, 40" x 27"
- 1 Table cover, reinforced poly, 50" x 90"

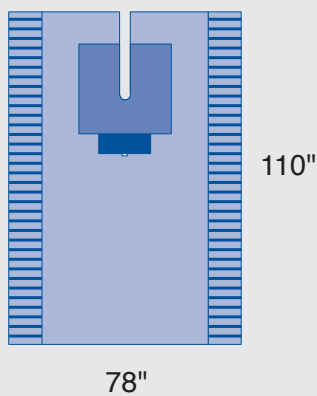
Packaging: 6/cs





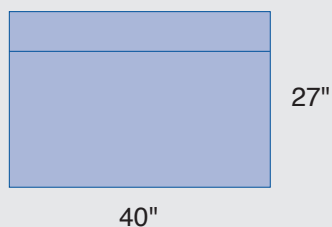
### Head Turban Drape included in pack DYNJP7020

- Adhesive
- Turban
- Drape available separately as DYNJP7009, sterile



### EENT Split Drape included in packs DYNJP7020, DYNJP7030

- Absorbent reinforcement, 23" x 23"
- Split with adhesive, 3 1/2" x 24"
- Instrument pad
- Velcro-style line holders
- Drape available separately as DYNJP7001, sterile



### Head Bar Drape included in DYNJP7030

- Adhesive
- Drape available separately as DYNJP7008, sterile

### EENT Pack III

DYNJP7020

- 1 Mayo stand cover
- 1 Suture bag
- 1 EENT split drape, with adhesive, 78" x 110"
- 1 Head turban drape, with adhesive, 40" x 27"
- 1 Table cover, reinforced poly, 50" x 90"

Packaging: 9/cs

### EENT Pack IV

DYNJP7030

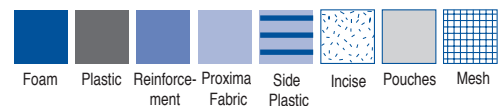
- 1 Mayo stand cover
- 1 Suture bag
- 1 EENT split drape, with adhesive, 78" x 110"
- 1 Head bar drape, with adhesive, 40" x 27"
- 1 Table cover, reinforced poly, 50" x 90"

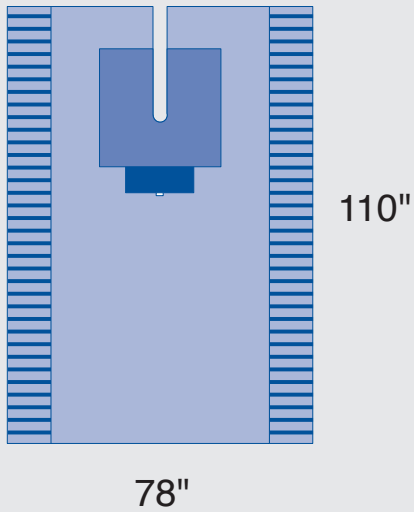
Packaging: 11/cs



Proxima Protection Products from Medline

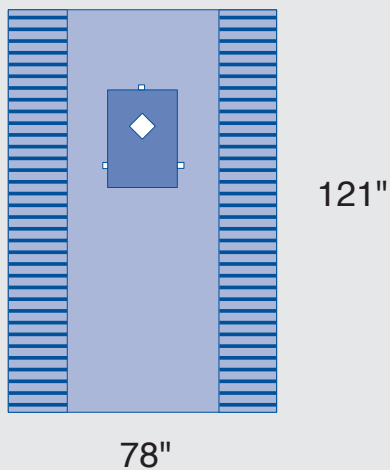
All products are sterile and latex free unless otherwise indicated.





### EENT Split Drape

- Absorbent reinforcement, 23" x 23"
- Split with adhesive, 3 1/2" x 24"
- Instrument pad
- Velcro-style line holders



### Thyroid Drape

- Absorbent reinforcement, 20" x 28"
- Diamond fenestration with adhesive, 5" x 5"
- Velcro-style line holders

### Proxima EENT Split Drape

DYNJP7001

Packaging: 8/cs

Non-Sterile Item Number: SPT-5590S

(for use in custom trays; not sold separately)

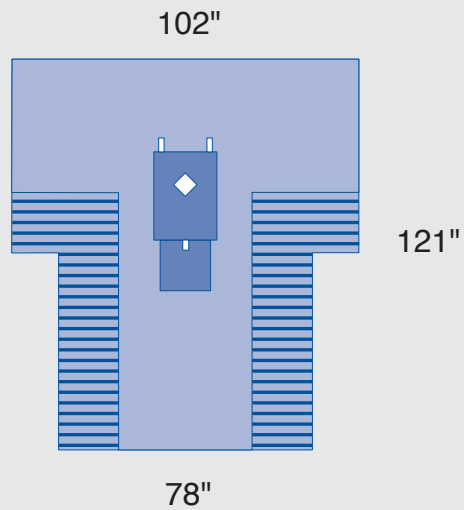
### Proxima Thyroid Drape

DYNJP7002

Packaging: 10/cs

Non-Sterile Item Number: SPT-2510S

(for use in custom trays; not sold separately)



### Thyroid T-Drape

- Absorbent reinforcement, 26" x 28"
- Diamond fenestration with adhesive, 5" x 5"
- Contoured armboard covers
- Velcro-style line holders
- Instrument pad, 9" x 18"

### Proxima Thyroid T-Drape

DYNJP7003

Packaging: 12/cs

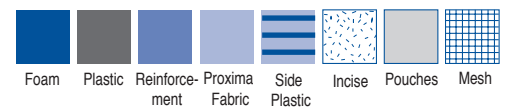
Non-Sterile Item Number: SPT-2520S

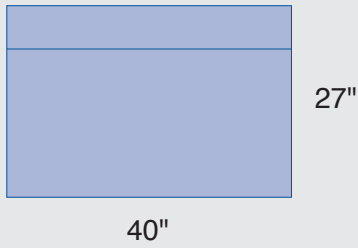
(for use in custom trays; not sold separately)



Proxima Protection Products from Medline

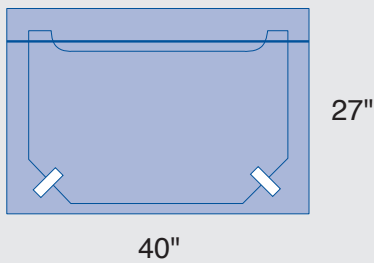
All products are sterile and latex free unless otherwise indicated.





**Head/Bar Drape**

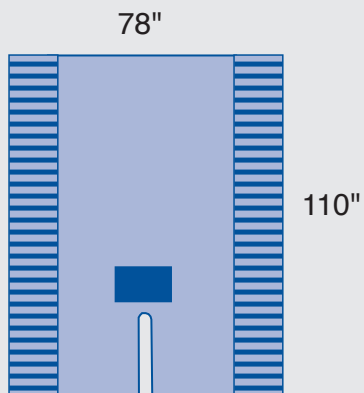
- Adhesive



**Head Turban Drape included in pack**

**DYNJP7020**

- Adhesive
- Turban



**EENT Split Drape, Unreinforced**

- Split w/Adhesive, 3½" x 24"
- Instrument Pad

**Proxima Head Bar Drape**

**DYNJP7008**

*Packaging: 20/cs*

Non-Sterile Item Number: SPT-5610S  
*(for use in custom trays; not sold separately)*

**Proxima Head Turban Drape**

**DYNJP7009**

*Packaging: 20/cs*

Non-Sterile Item Number: SPT-5600S  
*(for use in custom trays; not sold separately)*

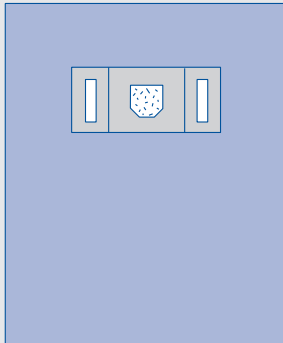
**Proxima EENT Split Drape, Unreinforced**

\*

Non-Sterile Item Number: SPT-5591S  
*(for use in custom trays; not sold separately)*

\* *not available sterile*

65"

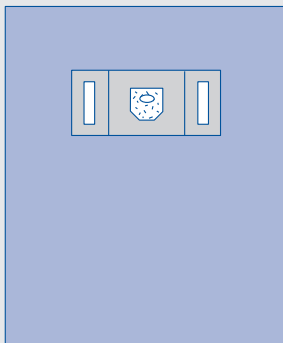


70"

**Eye Drape**

- Incise area: 3½" x 4½"
- 2 Fluid collection pouches

65"



70"

**Eye Drape with Fenestrated Incise**

- Adhesive size: 3½" x 4½"
- Oval fenestration size: 2¼" x 1½"
- 2 Fluid collection pouches

**Proxima Eye Drape with Incise and Pouch****DYNJP7004***Packaging: 10/cs*

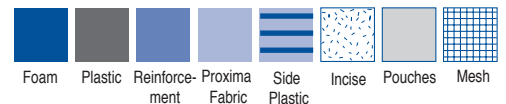
Non-Sterile Item Number: 29676

*(for use in custom trays; not sold separately)***Proxima Eye Drape with Fenestrated Incise and Pouch****DYNJP7005***Packaging: 10/cs*

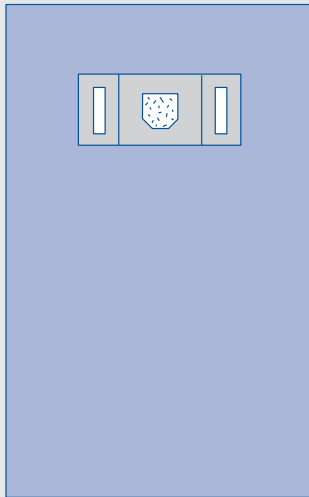
Non-Sterile Item Number: 29677

*(for use in custom trays; not sold separately)*

Proxima Protection Products from Medline

*All products are sterile and latex free unless otherwise indicated.*

65"



110"

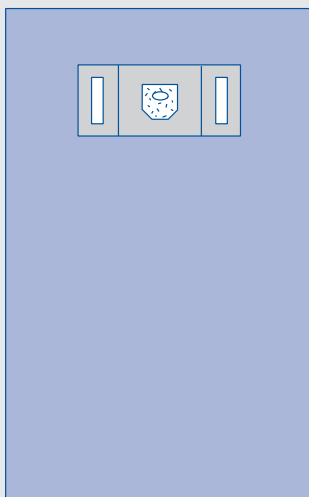
**Eye Drape**

- Incise area: 3½" x 4½"
- 2 Fluid collection pouches

**Proxima Full Body Eye Drape with Incise and Pouch****DYNJP7006***Packaging: 10/cs*

Non-Sterile Item Number: 30023  
*(for use in custom trays; not sold separately)*

65"



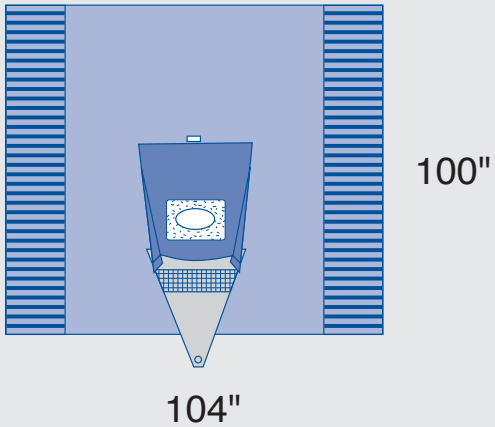
110"

**Eye Drape with Fenestrated Incise**

- Adhesive size: 3½" x 4½"
- Oval fenestration size: 2¼" x 1⅞"
- 2 Fluid collection pouches

**Proxima Full Body Eye Drape with Fenestrated Incise and Pouch****DYNJP7007***Packaging: 10/cs*

Non-Sterile Item Number: 30024  
*(for use in custom trays; not sold separately)*



### Craniotomy Drape with Fluid Collection Pouch

- Absorbent reinforcement, 18" x 28"
- Fenestration with incise, 11" x 8", rounded
- Attached fluid control pouch with screen and port
- Line holders

## Proxima Craniotomy Drape with Pouch

DYNJP10001

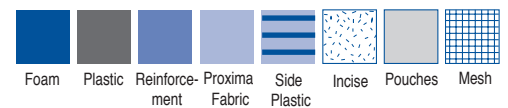
Packaging: 8/cs

Non-Sterile Item Number: SPT-10001S  
(for use in custom trays; not sold separately)



Proxima Protection Products from Medline

All products are sterile and latex free unless otherwise indicated.



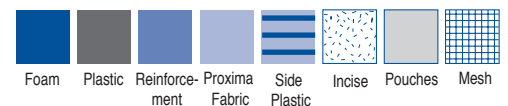




**PROXIMA**

**ORTHOPEDICS**

|                                  |                                | Page<br>Number | Case<br>Pack | Allegiance<br>Convertors | Molnlycke<br>Barrier | Kimberly<br>Clarke | Maxxim<br>Boundary |
|----------------------------------|--------------------------------|----------------|--------------|--------------------------|----------------------|--------------------|--------------------|
| <b>Extremity Packs</b>           |                                |                |              |                          |                      |                    |                    |
| DYNJP8000                        | Extremity Pack I               | 83             | 5            | 29188                    | 0172                 | —                  | OR026              |
| DYNJP8010                        | Extremity Pack II              | 83             | 5            | —                        | —                    | 88461              | —                  |
| DYNJP8020                        | Minor Extremity Pack           | 84             | 6            | 29189                    | 1262/0289            | 88421/90641/88431  | OR029/OR028        |
| DYNJP8030                        | Extremity Pack III             | 84             | 8            | —                        | 1266                 | 88471              | —                  |
| DYNJP8040                        | Upper Extremity Pack           | 85             | 6            | —                        | 0262                 | —                  | OR031              |
| <b>Arthroscopy Packs</b>         |                                |                |              |                          |                      |                    |                    |
| DYNJP8100                        | Arthroscopy Pack I             | 91             | 6            | 9185/9187                | 0263                 | 88481/88488        | OR063/OR085        |
| DYNJP8110                        | Arthroscopy Pack II            | 91             | 6            | 29180/29186              | 1263/0295            | —                  | OR037/OR036        |
| DYNJP8120                        | Arthroscopy Plus Pack          | 92             | 3            | 28200-600                | —                    | —                  | —                  |
| DYNJP8130                        | Arthroscopy Pack III           | 92             | 8            | —                        | 0174                 | —                  | —                  |
| DYNJP8140                        | Arthroscopy Pack IV            | 93             | 8            | —                        | 0171                 | —                  | —                  |
| <b>Hip Packs</b>                 |                                |                |              |                          |                      |                    |                    |
| DYNJP8200                        | Hip Pack I                     | 97             | 6            | 29187                    | —                    | —                  | —                  |
| DYNJP8210                        | Hip Pack II                    | 97             | 6            | —                        | 1267                 | 88451/88453        | OR046              |
| DYNJP8220                        | Hip Pack III                   | 98             | 4            | —                        | 1291                 | —                  | OR044              |
| DYNJP8230                        | Hip Pack IV                    | 98             | 6            | —                        | 0176                 | —                  | —                  |
| DYNJP8240                        | Hip Pack V                     | 98             | 3            | —                        | 0202                 | 88452              | OR067              |
| <b>General Orthopedics Packs</b> |                                |                |              |                          |                      |                    |                    |
| DYNJP8300                        | Ortho Pack I                   | 103            | 5            | 29182/29183              | 1264                 | 88311              | OR082              |
| DYNJP8310                        | Ortho Pack II                  | 103            | 6            | 29184                    | —                    | 88321              | OR084              |
| DYNJP8320                        | Ortho Pack III                 | 104            | 4            | 29181                    | 1290                 | 88411/88412        | OR081/OR082        |
| DYNJP8330                        | Ortho Pack IV                  | 104            | 5            | —                        | 0179                 | —                  | —                  |
| <b>Shoulder Packs</b>            |                                |                |              |                          |                      |                    |                    |
| DYNJP8400                        | Shoulder Pack I                | 109            | 3            | 9183                     | 0296                 | 88492              | OR019              |
| DYNJP8401                        | Shoulder Drape Pack with Pouch | 109            | 10           | 29367                    | —                    | 89492              | —                  |
| DYNJP8410                        | Shoulder Pack II               | 109            | 3            | 29160                    | 1216                 | 88491              | OR018              |
| DYNJP8411                        | Shoulder Split Drape Pack      | 109            | 8            | 29365                    | —                    | 89274              | —                  |
| DYNJP8420                        | Shoulder Pack III              | 110            | 5            | —                        | 0177                 | —                  | —                  |
| DYNJP8421                        | Shoulder Drape Pack II         | 110            | 8            | —                        | —                    | —                  | —                  |
| DYNJP8430                        | Beach Chair Shoulder Pack      | 111            | 3            | —                        | —                    | 88108              | —                  |
| <b>Orthopedic Drapes</b>         |                                |                |              |                          |                      |                    |                    |
| DYNJP8101                        | Arthroscopy Drape with Pouch   | 99             | 12           | 9413/9414                | 0278                 | 89265/89267        | AS011              |
| DYNJP8102                        | Arthroscopy T Drape with Pouch | 94             | 12           | 9413/9414                | 0278                 | 89265/89267        | AS011              |
| DYNJP8002                        | Extremity Drape, Standard      | 86             | 12           | 29414/29415              | 0270/1261            | 89276/89279        | EX015/EX016        |
| DYNJP8003                        | Extremity T-Drape              | 87             | 6            | 29405                    | 1271                 | 89016/89278        | EX026              |
| DYNJP8004                        | Bilateral Limb Drape           | 87             | 12           | 29416                    | 1265                 | 89291              | BL011              |
| DYNJP8005                        | Hand Drape                     | 88             | 18           | 29419                    | 0261                 | 89271/89272        | HA015              |
| DYNJP8201                        | Hip Drape w/Pouches            | 99             | 5            | 29429                    | 0204                 | 89345              | HP041              |
| DYNJP8202                        | Hip Drape                      | 99             | 12           | 29430                    | 1260                 | 89346              | HP011              |
| DYNJP2498                        | Split Drape                    | 106            | 10           | 29436                    | 1298                 | 89321/89301        | SP018              |
| DYNJP8301                        | Ortho Split Drape              | 105            | 10           | 29433/29440              | 1298                 | 89275/89347        | SP031              |
| DYNJP8412                        | Beach Chair Shoulder Drape     | 111            | 5            | 29369                    | —                    | 89066              | —                  |





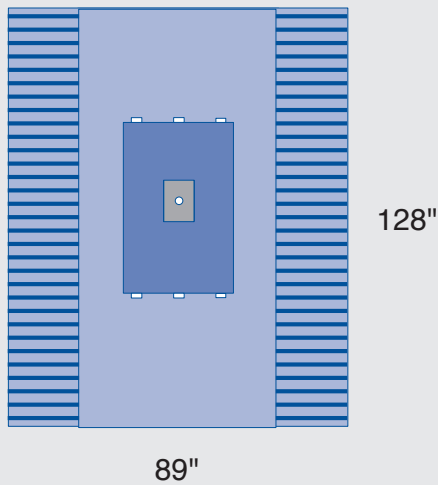


**PROXIMA**

**EXTREMITY**

|                         |                                  | Page<br>Number | Case<br>Pack | Allegiance<br>Convertors | Molnlycke<br>Barrier | Kimberly<br>Clarke | Maxxim<br>Boundary |
|-------------------------|----------------------------------|----------------|--------------|--------------------------|----------------------|--------------------|--------------------|
| <b>Extremity Packs</b>  |                                  |                |              |                          |                      |                    |                    |
| DYNJP8000               | Extremity Pack I                 | 83             | 5            | 29188                    | 0172                 | —                  | OR026              |
| DYNJP8010               | Extremity Pack II                | 83             | 5            | —                        | —                    | 88461              | —                  |
| DYNJP8020               | Minor Extremity Pack             | 84             | 6            | 29189                    | 1262/0289            | 88421/90641/88431  | OR029/OR028        |
| DYNJP8030               | Extremity Pack III               | 84             | 8            | —                        | 1266                 | 88471              | —                  |
| DYNJP8040               | Upper Extremity Pack             | 85             | 6            | —                        | 0262                 | —                  | OR031              |
| <b>Extremity Drapes</b> |                                  |                |              |                          |                      |                    |                    |
| DYNJP8002               | Extremity Drape, Standard        | 86             | 12           | 29414/29415              | 0270/1261            | 89276/89279        | EX015/EX016        |
| DYNJP8003               | Extremity T-Drape                | 87             | 6            | 29405                    | 1271                 | 89016/89278        | EX026              |
| DYNJP8004               | Bilateral Limb Drape             | 87             | 12           | 29416                    | 1265                 | 89291              | BL011              |
| DYNJP8005               | Hand Drape                       | 88             | 18           | 29419                    | 0261                 | 89271/89272        | HA015              |
| <b>Stockinettes</b>     |                                  |                |              |                          |                      |                    |                    |
| NON22520                | Impervious Stockinette 6" x 30"  | 22             | 24           | 1584                     | 0272                 | 92514              | —                  |
| NON22530                | Impervious Stockinette 9" x 36"  | 22             | 15           | 1585/1586                | 0273                 | 89811/92515        | —                  |
| NON22535                | Impervious Stockinette 12" x 48" | 22             | 10           | 1587                     | 0274                 | 89821              | —                  |





**Extremity Drape included in packs  
DYNJP8000, DYNJP8010**

- Absorbent reinforcement, 29" x 45"
- 2½" circular elastic fenestration
- Velcro-style line holders
- Drape sold separately as DYNJP8002, sterile

**Extremity Pack I**

**DYNJP8000**

- 1 Mayo stand cover
- 1 Plastic drape, fan folded, 44" x 65"
- 4 Utility drapes, with adhesive
- 1 Suture bag
- 1 Extremity drape with absorbent reinforcement, 89" x 128"
- 1 Table cover, reinforced poly, 50" x 90"

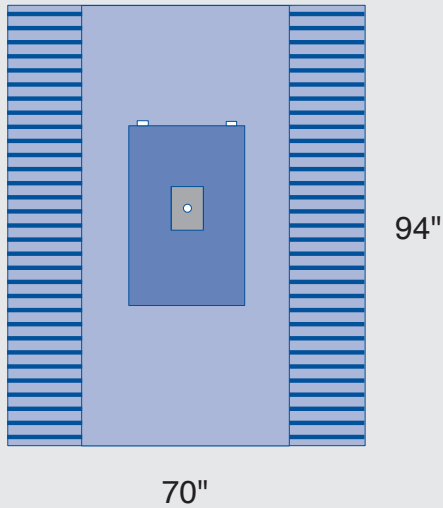
*Packaging: 5/cs*

**Extremity Pack II**

**DYNJP8010**

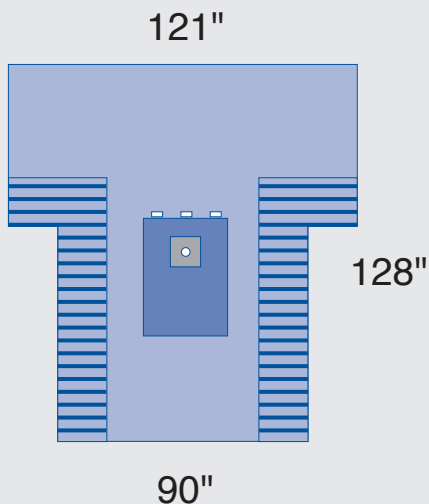
- 1 Gown, large, non-reinforced with towel in outer wrap
- 1 Mayo stand cover
- 1 Impervious U-drape with adhesive
- 1 ¾ drape, 53" x 77"
- 2 Utility drapes, with adhesive
- 1 Suture bag
- 1 Extremity drape with absorbent reinforcement, 89" x 128"
- 1 Table cover, reinforced poly, 50" x 90"

*Packaging: 5/cs*



**Minor Extremity Drape included in pack DYNJP8020**

- Absorbent reinforcement, 40" x 20"
- 2¼" circular elastic fenestration
- Velcro-style line holders



**Extremity T-Drape included in pack DYNJP8030**

- Absorbent reinforcement, 39" x 32"
- 2½" circular elastic fenestration
- Contoured armboard covers
- Velcro-style line holders
- Drape sold separately as DYNJP8003, sterile

**Minor Extremity Pack**

**DYNJP8020**

- 1 Gown, large, non-reinforced with towel in outer wrap
- 1 Hand towel
- 1 Gown, large, non-reinforced
- 1 Mayo stand cover
- 1 Plastic drape, 44" x 65", fan folded
- 1 ¾ drape, 53" x 77"
- 1 Utility drape with adhesive
- 1 Suture bag
- 1 Minor extremity drape, 70" x 94"
- 1 Table cover, reinforced poly, 50" x 90"

*Packaging: 6/cs*

**Extremity Pack III**

**DYNJP8030**

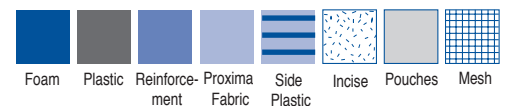
- 1 Mayo stand cover
- 1 Impervious U-drape
- 1 Suture bag
- 1 Extremity T-drape, 121" x 128" x 90"
- 1 Table cover, reinforced poly, 50" x 90"

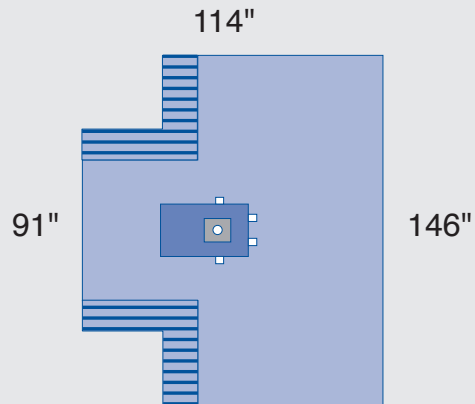
*Packaging: 8/cs*



Proxima Protection Products from Medline

*All products are sterile and latex free unless otherwise indicated.*





#### Hand Drape Included in Pack DYNJP8040

- Absorbent reinforcement, 20" x 33"
- 2" circular elastic fenestration
- Contoured hand table extension
- Velcro-style line holders
- Drape sold separately as DYNJP8005, sterile

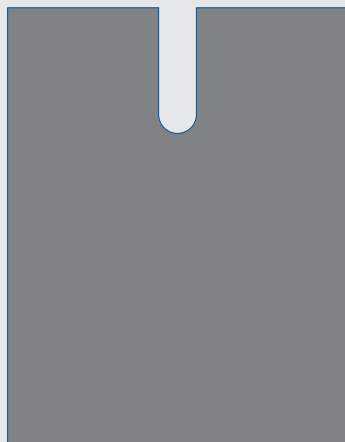
#### Upper Extremity Pack

**DYNJP8040**

- 2 Hand towels
- 2 Gowns, x-large, non-reinforced
- 1 Mayo stand cover
- 1 Plastic drape, 44" x 65", fan folded
- 1 Suture bag
- 1 Hand drape, 146" x 114" x 91"
- 1 Table cover, reinforced poly, 50" x 90"

*Packaging: 6/cs*



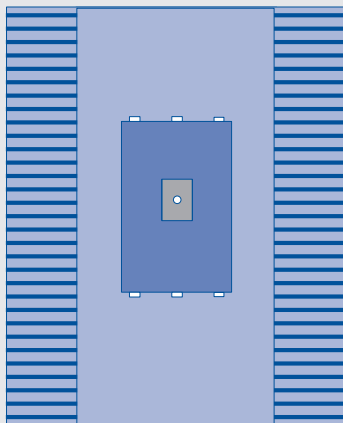


76"

54"

**Impervious U-Drape**

- Split with adhesive, 6" x 24"



128"

89"

**Extremity Drape**

- Absorbent reinforcement, 29" x 45"
- 2½" circular elastic fenestration
- Velcro-style line holders

**Proxima Impervious U-Drape****DYNJP2499***Packaging: 24/cs*

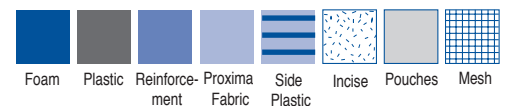
Non-Sterile Item Number: 12139

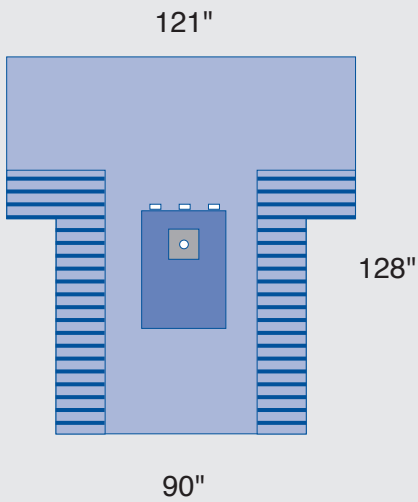
*(for use in custom trays; not sold separately)***Proxima Extremity Drape Standard****DYNJP8002***Packaging: 12/cs*

Non-Sterile Item Number: SPT-2550S

*(for use in custom trays; not sold separately)*

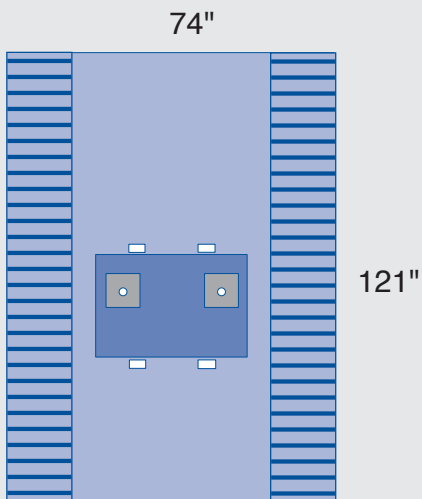
Proxima Protection Products from Medline

*All products are sterile and latex free unless otherwise indicated.*



### Extremity T-Drape

- Absorbent reinforcement, 39" x 32"
- 2½" circular elastic fenestration
- Contoured armboard covers
- Velcro-style line holders



### Bilateral Limb Drape

- Absorbent reinforcement, 36" x 33"
- 2½" dual elastic fenestrations
- Velcro-style line holders

### Proxima Extremity T-Drape

DYNJP8003

Packaging: 6/cs

Non-Sterile Item Number: SPT-2555S

(for use in custom trays; not sold separately)

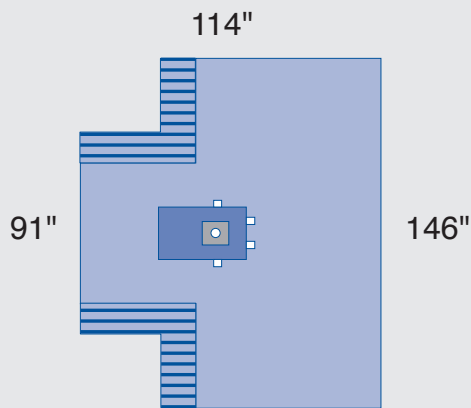
### Proxima Bilateral Limb Drape

DYNJP8004

Packaging: 12/cs

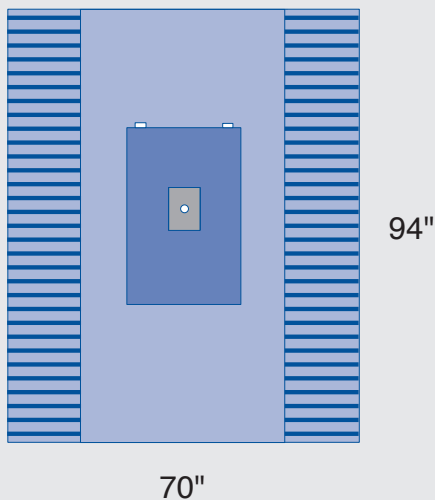
Non-Sterile Item Number: SPT-8620S

(for use in custom trays; not sold separately)



### Hand Drape

- Absorbent reinforcement, 20" x 33"
- 2" circular elastic fenestration
- Contoured hand table extension
- Velcro-style line holders



### Minor Extremity Drape

- Absorbent reinforcement, 40" x 20"
- 2 1/4" circular elastic fenestration
- Velcro-style line holders

### Proxima Hand Drape

DYNJP8005

Packaging: 18/cs

Non-Sterile Item Number: SPT-8610S

(for use in custom trays; not sold separately)

### Proxima Minor Extremity Drape

\*

Non-Sterile Item Number: SPT-2570S

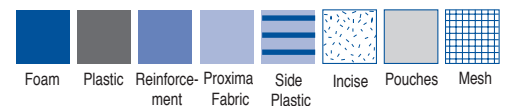
(for use in custom trays; not sold separately)

\* not available sterile



Proxima Protection Products from Medline

All products are sterile and latex free unless otherwise indicated.





**PROXIMA**

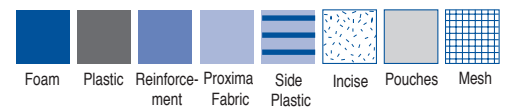
**ARTHROSCOPY**

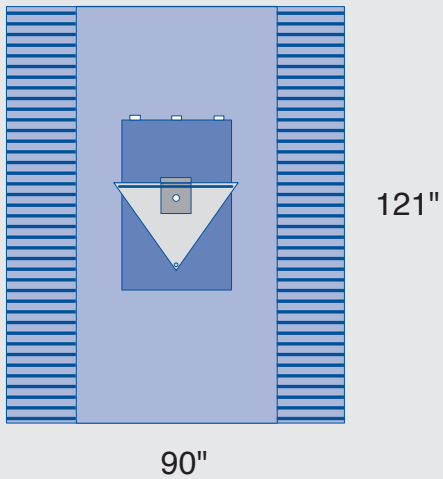
|                           |                                  | Page<br>Number | Case<br>Pack | Allegiance<br>Convertors | Molnlycke<br>Barrier | Kimberly<br>Clarke | Maxxim<br>Boundary |
|---------------------------|----------------------------------|----------------|--------------|--------------------------|----------------------|--------------------|--------------------|
| <b>Arthroscopy Packs</b>  |                                  |                |              |                          |                      |                    |                    |
| DYNJP8100                 | Arthroscopy Pack I               | 91             | 6            | 9185/9187                | 0263                 | 88481/88488        | OR063/OR085        |
| DYNJP8110                 | Arthroscopy Pack II              | 91             | 6            | 29180/29186              | 1263/0295            | —                  | OR037/OR036        |
| DYNJP8120                 | Arthroscopy Plus Pack            | 92             | 3            | 28200-600                | —                    | —                  | —                  |
| DYNJP8130                 | Arthroscopy Pack III             | 92             | 8            | —                        | 0174                 | —                  | —                  |
| DYNJP8140                 | Arthroscopy Pack IV              | 93             | 8            | —                        | 0171                 | —                  | —                  |
| <b>Arthroscopy Drapes</b> |                                  |                |              |                          |                      |                    |                    |
| DYNJP8101                 | Arthroscopy Drape with Pouch     | 99             | 12           | 9413/9414                | 0278                 | 89265/89267        | AS011              |
| DYNJP8102                 | Arthroscopy T Drape with Pouch   | 94             | 12           | 9413/9414                | 0278                 | 89265/89267        | AS011              |
| DYNJP8002                 | Extremity Drape, Standard        | 93             | 12           | 29414/29415              | 0270/1261            | 89276/89279        | EX015/EX016        |
| <b>Stockinettes</b>       |                                  |                |              |                          |                      |                    |                    |
| NON22520                  | Impervious Stockinette 6" x 30"  | 22             | 24           | 1584                     | 0272                 | 92514              | —                  |
| NON22530                  | Impervious Stockinette 9" x 36"  | 22             | 15           | 1585/1586                | 0273                 | 89811/92515        | —                  |
| NON22535                  | Impervious Stockinette 12" x 48" | 22             | 10           | 1587                     | 0274                 | 89821              | —                  |



Proxima Protection Products from Medline

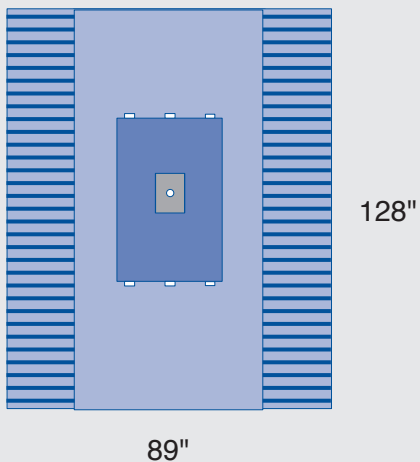
All products are sterile and latex free unless otherwise indicated.





### Arthroscopy Drape included in pack DYNJP8100

- Poly-foam backed absorbent reinforcement, 29" x 37"
- 2½" dual circular elastic fenestrations
- Attached fluid control pouch
- Malleable wire
- Velcro-style line holders
- Drape also sold separately as DYNJP8101, sterile



### Extremity Drape included in pack DYNJP8110

- Absorbent reinforcement, 29" x 45"
- 2½" circular elastic fenestration
- Velcro-style line holders
- Drape sold separately as DYNJP8002, sterile

### Arthroscopy Pack I

DYNJP8100

- 1 Gown, large, non-reinforced with towel in outer wrap
- 1 Hand towel
- 1 Gown, xx-large, poly-reinforced
- 1 Mayo stand cover
- 1 Impervious prep U-drape
- 1 Impervious U-drape with tape
- 1 Impervious stockinette
- 4 Drape tape strips
- 1 Suture bag
- 1 Arthroscopy drape with fluid collection pouch, 90" x 121"
- 1 Table cover, reinforced poly, 50" x 90"

Packaging: 6/cs

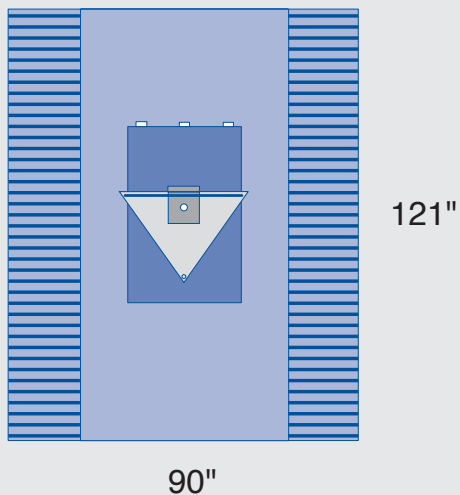
### Arthroscopy Pack II

DYNJP8110

- 1 Hand towel
- 1 Gown, xx-large, poly-reinforced
- 1 Mayo stand cover
- 1 Impervious U-drape with adhesive
- 1 Impervious stockinette, 12" x 48"
- 4 Drape tape strips
- 1 Suture bag
- 1 Extremity drape with absorbent reinforcement, 89" x 128"
- 1 Table cover, reinforced poly, 50" x 90"

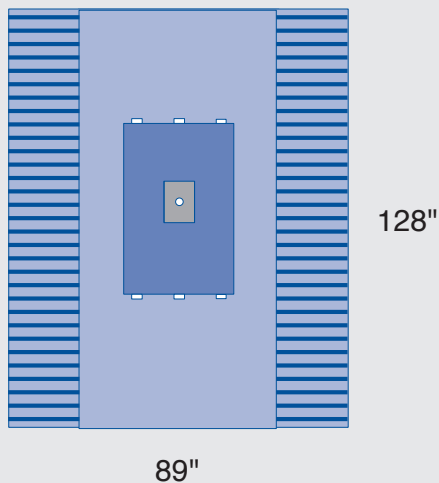
Packaging: 6/cs





### Arthroscopy Drape included in pack DYNJP8120

- Poly-backed absorbent reinforcement, 29" x 37"
- 2½" dual circular elastic fenestrations
- Attached fluid control pouch
- Malleable wire
- Velcro-style line holders
- Drape also sold separately as DYNJP8101, sterile



### Extremity Drape included in pack DYNJP8130

- Absorbent reinforcement, 29" x 45"
- 2½" circular elastic fenestration
- Velcro-style line holders
- Drape sold separately as DYNJP8002, sterile

## Arthroscopy Plus Pack

DYNJP8120

- 1 Gown, large, non-reinforced with towel in outer wrap
- 2 O.R. towels
- 2 Gowns, x-large, breathable impervious
- 1 Suction tube, 12' x ¼"
- 3 Hand towels
- 1 Mayo stand cover
- 1 Impervious U-drape with adhesive
- 1 Arthroscopy drape with fluid collection pouch, 90" x 121"
- 1 Elastic bandage, 6"
- 1 Blade, No. 11
- 1 Bowl, 32oz., graduated
- 4 Drape tape strips
- 5 O.R. towels
- 1 Impervious stockinette, 9" x 48"
- 1 Mayo tray
- 1 Table cover, reinforced poly, 60" x 90"

Packaging: 3/cs

## Arthroscopy Pack III

DYNJP8130

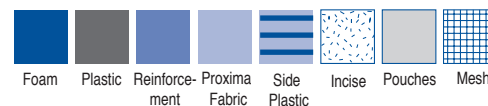
- 1 Mayo stand cover
- 1 Impervious U-drape with adhesive
- 1 Prep U-drape
- 3 Drape tape strips
- 1 Suture bag
- 1 Extremity drape with absorbent reinforcement, 89" x 128"
- 1 Impervious stockinette, 12" x 48"
- 1 Table cover, reinforced poly, 50" x 90"

Packaging: 8/cs

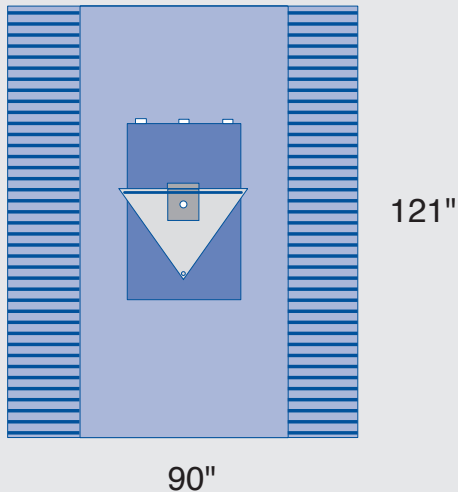


Proxima Protection Products from Medline

All products are sterile and latex free unless otherwise indicated.

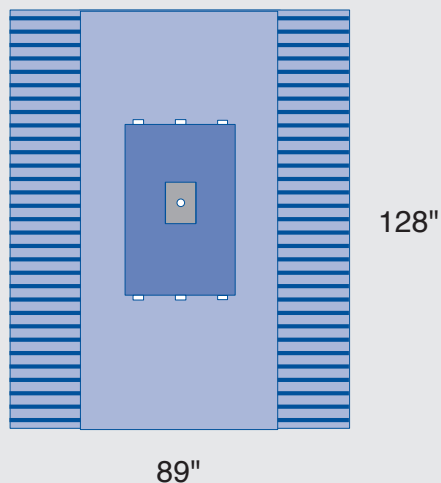






### Arthroscopy Drape included in pack DYNJP8140

- Poly backed absorbent reinforcement, 29" x 37"
- 2½" dual circular elastic fenestrations
- Attached fluid control pouch
- Malleable wire
- Velcro-style line holders
- Drape also sold separately as DYNJP8101, sterile



### Extremity Drape

- Absorbent reinforcement, 29" x 45"
- 2½" circular elastic fenestration
- Velcro-style line holders

### Arthroscopy Pack IV

DYNJP8140

- 1 Mayo stand cover
- 1 Impervious U-drape with adhesive
- 1 Prep U-drape with adhesive
- 1 Arthroscopy drape with fluid collection pouch, 90" x 121"
- 3 Drape tape strips
- 1 Impervious stockinette, 12" x 48"
- 1 Suture bag
- 1 Table cover, reinforced poly, 50" x 90"

Packaging: 8/cs

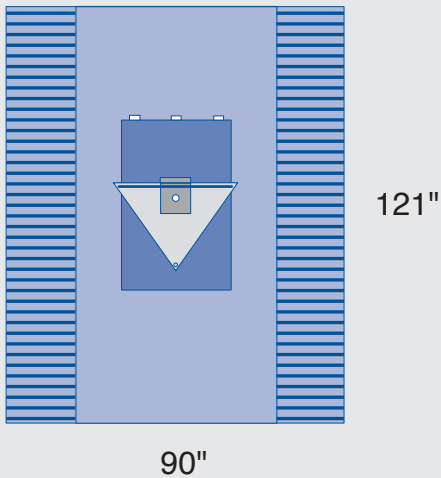
### Proxima Extremity Drape Standard

DYNJP8002

Packaging: 12/cs

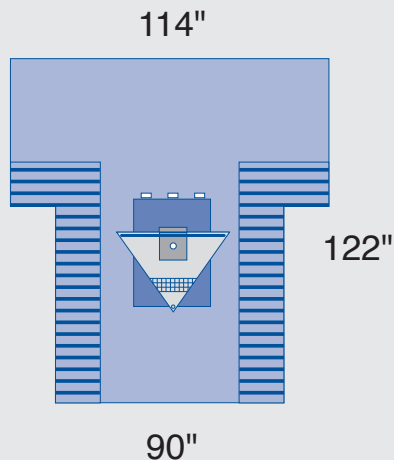
Non-Sterile Item Number: SPT-2550S

(for use in custom trays; not sold separately)



### Arthroscopy Drape with Fluid Control Pouch

- Poly backed absorbent reinforcement, 29" x 37"
- 2½" dual circular elastic fenestrations
- Attached fluid control pouch
- Malleable wire
- Velcro-style line holders



### Arthroscopy T-Drape with Fluid Control Pouch

- Poly-backed absorbent reinforcement 29" x 36"
- 2.5" dual circular elastic fenestrations
- Attached fluid control pouch with filter and port
- Malleable wire
- Velcro-style line holders

### Proxima Arthroscopy Drape with Fluid Control Pouch

DYNJP8101

Packaging: 12/cs

Non-Sterile Item Number: SPT-2560S  
(for use in custom trays; not sold separately)

### Proxima Arthroscopy T-Drape with Fluid Control Pouch

DYNJP8102

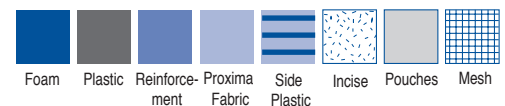
Packaging: 6/cs

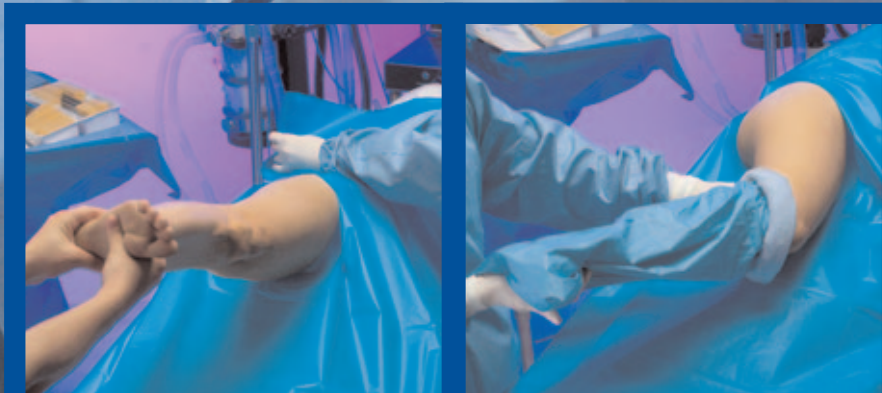
Non-Sterile Item Number: SPT-2565S  
(for use in custom trays; not sold separately)



Proxima Protection Products from Medline

All products are sterile and latex free unless otherwise indicated.





**PROXIMA**

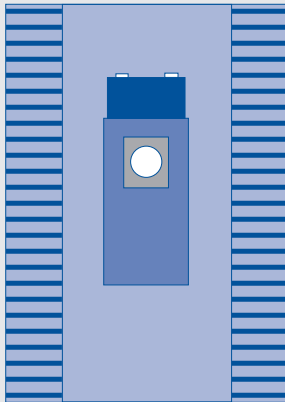
**HIP PACKS AND DRAPES**

|                  |              | Page<br>Number | Case<br>Pack | Allegiance<br>Convertors | Molnlycke<br>Barrier | Kimberly<br>Clarke | Maxxim<br>Boundary |
|------------------|--------------|----------------|--------------|--------------------------|----------------------|--------------------|--------------------|
| <b>Hip Packs</b> |              |                |              |                          |                      |                    |                    |
| DYNJP8200        | Hip Pack I   | 97             | 6            | 29187                    | —                    | —                  | —                  |
| DYNJP8210        | Hip Pack II  | 97             | 6            | —                        | 1267                 | 88451/88453        | OR046              |
| DYNJP8220        | Hip Pack III | 98             | 4            | —                        | 1291                 | —                  | OR044              |
| DYNJP8230        | Hip Pack IV  | 98             | 6            | —                        | 0176                 | —                  | —                  |
| DYNJP8240        | Hip Pack V   | 98             | 3            | —                        | 0202                 | 88452              | OR067              |

|                   |                     |    |    |       |      |       |       |
|-------------------|---------------------|----|----|-------|------|-------|-------|
| <b>Hip Drapes</b> |                     |    |    |       |      |       |       |
| DYNJP8201         | Hip Drape w/Pouches | 99 | 5  | 29429 | 0204 | 89345 | HP041 |
| DYNJP8202         | Hip Drape           | 99 | 12 | 29430 | 1260 | 89346 | HP011 |

|                     |                                  |    |    |           |      |             |   |
|---------------------|----------------------------------|----|----|-----------|------|-------------|---|
| <b>Stockinettes</b> |                                  |    |    |           |      |             |   |
| NON22520            | Impervious Stockinette 6" x 30"  | 22 | 24 | 1584      | 0272 | 92514       | — |
| NON22530            | Impervious Stockinette 9" x 36"  | 22 | 15 | 1585/1586 | 0273 | 89811/92515 | — |
| NON22535            | Impervious Stockinette 12" x 48" | 22 | 10 | 1587      | 0274 | 89821       | — |





89"

128"

**Hip Drape included in packs  
DYNJP8200, DYNJP8210**

- Absorbent reinforcement, 27" x 53"
- 9" elastic fenestration
- Instrument pad
- Velcro-style line holders
- Drape sold separately as DYNJP8202, sterile

---

**Hip Pack I**

**DYNJP8200**

- 1 Gown, x-large, poly-reinforced with towel in outer wrap
- 1 Mayo stand cover
- 1 Impervious U-drape with adhesive
- 1 Impervious stockinette, 12" x 48"
- 4 Utility drapes with adhesive
- 1 Suture bag
- 1 Hip drape, 89" x 128"
- 1 Table cover, reinforced poly, 50" x 90"

*Packaging: 6/cs*

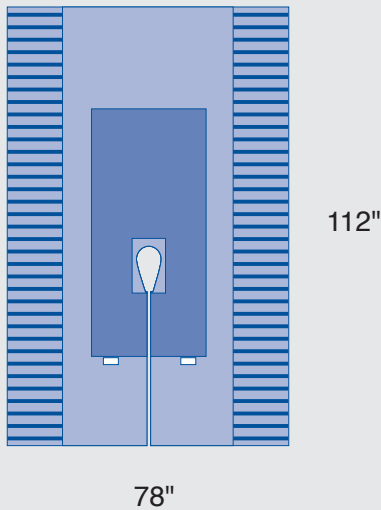
---

**Hip Pack II**

**DYNJP8210**

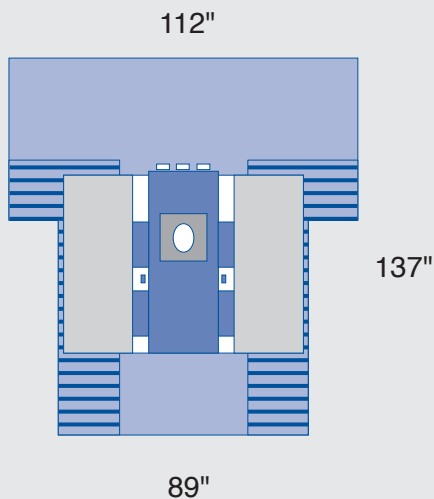
- 1 Gown, large, poly-reinforced with towel in outer wrap
- 2 Hand towels
- 2 Gowns, x-large, poly-reinforced
- 1 Mayo stand cover
- 1 Impervious U-drape with adhesive
- 1 Impervious stockinette, 12" x 48"
- 1 Suture bag
- 1 Hip drape, 89" x 128"
- 1 Table cover, reinforced poly, 50" x 90"

*Packaging: 6/cs*



**Hip Split Drape included in pack  
DYNJP8220, DYNJP8230**

- Absorbent reinforcement, 63" x 29"
- Split with adhesive, 52"
- Velcro-style line holders



**Hip Drape with Pouches included  
in pack DYNJP8240**

- Absorbent reinforcement, 56" x 23"
- 9" elastic fenestration
- Contoured armboard covers
- Clipping tabs
- Fluid control pouches
- Velcro-style line holders
- Drape sold separately as DYNJP8201, sterile

**Hip Pack III**

**DYNJP8220**

- 1 Gown, large, poly-reinforced with towel in outer wrap
- 2 Hand towels
- 2 Gowns, x-large, poly-reinforced
- 1 Mayo stand cover
- 1 Medium drape, 40" x 70"
- 1 Impervious U-drape with adhesive
- 1 Impervious stockinette, 12" x 48"
- 1 Utility drape with adhesive
- 1 Suture bag
- 1 Hip split drape, 78" x 112"
- 1 Table cover, reinforced poly, 50" x 90"

*Packaging: 4/cs*

**Hip Pack IV**

**DYNJP8230**

- 1 Mayo stand cover
- 1 Medium drape, 40" x 70"
- 1 Impervious U-drape with adhesive
- 1 Impervious stockinette, 12" x 48"
- 1 Suture bag
- 1 Hip split drape, 78" x 112"
- 1 Table cover, reinforced poly, 50" x 90"

*Packaging: 6/cs*

**Hip Pack V**

**DYNJP8240**

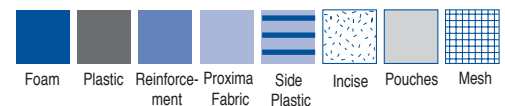
- 1 Gown, large, poly-reinforced with towel in outer wrap
- 2 Hand towels
- 2 Gowns, x-large, poly-reinforced
- 1 Mayo stand cover
- 1 Impervious U-drape with adhesive
- 1 Impervious stockinette, 12" x 48"
- 1 Suture bag
- 1 Hip drape with pouches
- 1 Table cover, reinforced poly, 50" x 90"

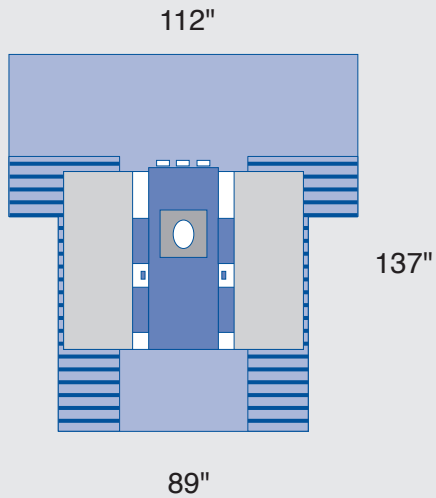
*Packaging: 3/cs*



Proxima Protection Products from Medline

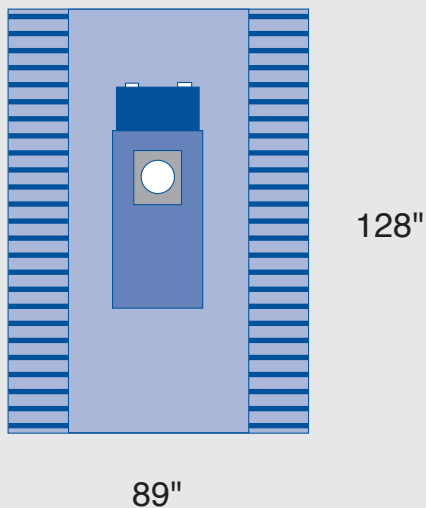
*All products are sterile and latex free unless otherwise indicated.*





### Hip Drape with Pouches

- Absorbent reinforcement, 56" x 23"
- 9" elastic fenestration
- Contoured armboard covers
- Clipping tabs
- Fluid control pouches
- Velcro-style line holders



### Hip Drape

- Absorbent reinforcement, 27" x 53"
- 9" elastic elastic fenestration
- Instrument pad
- Velcro-style line holders

### Proxima Hip Drape with Pouches

**DYNJP8201**

*Packaging: 5/cs*

Non-Sterile Item Number: SPT-8290S  
*(for use in custom trays; not sold separately)*

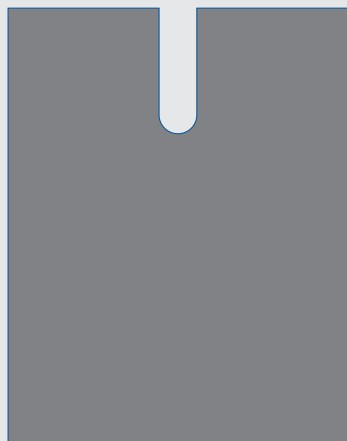
### Proxima Hip Drape

**DYNJP8202**

*Packaging: 12/cs*

Non-Sterile Item Number: SPT-8280S  
*(for use in custom trays; not sold separately)*



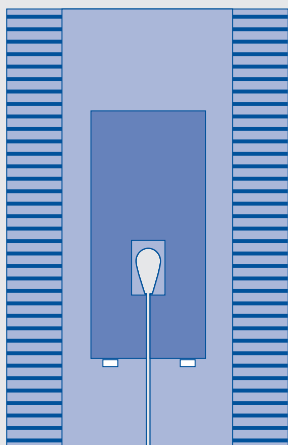


76"

54"

### Impervious U-Drape

- Split with adhesive, 6" x 24"



112"

78"

### Hip Split Drape

- Absorbent reinforcement, 63" x 29"
- Split with adhesive, 52"
- Velcro-style line holders

## Proxima Impervious U-Drape

DYNJP2499

Packaging: 24/cs

Non-Sterile Item Number: 12139

(for use in custom trays; not sold separately)

## Hip Split Drape

\*

Non-Sterile Item Number: SPT-8270S

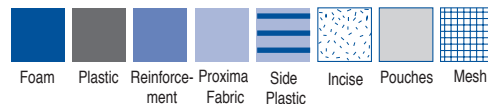
(for use in custom trays; not sold separately)

\* not available sterile



Proxima Protection Products from Medline

All products are sterile and latex free unless otherwise indicated.







**PROXIMA**

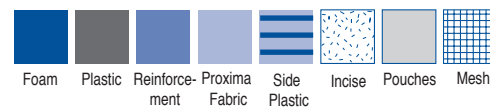
**GENERAL ORTHOPEDICS**

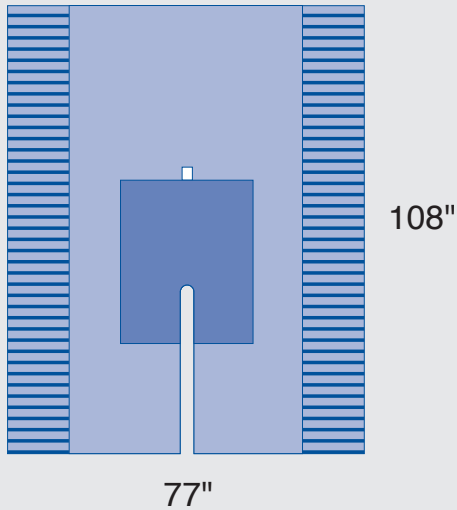
|                          |                                  | Page<br>Number | Case<br>Pack | Allegiance<br>Convertors | Molnlycke<br>Barrier | Kimberly<br>Clarke | Maxxim<br>Boundary |
|--------------------------|----------------------------------|----------------|--------------|--------------------------|----------------------|--------------------|--------------------|
| <b>Orthopedic Packs</b>  |                                  |                |              |                          |                      |                    |                    |
| DYNJP8300                | Ortho Pack I                     | 103            | 5            | 29182/29183              | 1264                 | 88311              | OR082              |
| DYNJP8310                | Ortho Pack II                    | 103            | 6            | 29184                    | —                    | 88321              | OR084              |
| DYNJP8320                | Ortho Pack III                   | 104            | 4            | 29181                    | 1290                 | 88411/88412        | OR081/OR082        |
| DYNJP8330                | Ortho Pack IV                    | 104            | 5            | —                        | 0179                 | —                  | —                  |
| <b>Orthopedic Drapes</b> |                                  |                |              |                          |                      |                    |                    |
| DYNJP2498                | Split Drape                      | 106            | 10           | 29436                    | 1298                 | 89321/89301        | SP018              |
| DYJNP8301                | Ortho Split Drape                | 105            | 10           | 29433/29440              | 1298                 | 89275/89347        | SP031              |
| <b>Stockinettes</b>      |                                  |                |              |                          |                      |                    |                    |
| NON22520                 | Impervious Stockinette 6" x 30"  | 22             | 24           | 1584                     | 0272                 | 92514              | —                  |
| NON22530                 | Impervious Stockinette 9" x 36"  | 22             | 15           | 1585/1586                | 0273                 | 89811/92515        | —                  |
| NON22535                 | Impervious Stockinette 12" x 48" | 22             | 10           | 1587                     | 0274                 | 89821              | —                  |



Proxima Protection Products from Medline

All products are sterile and latex free unless otherwise indicated.





**Split Drape included in packs  
DYNJP8300, DYNJP8310**

- Absorbent reinforcement, 36" x 29"
- Split with adhesive, 2½" x 37"
- Velcro-style line holders
- Drape sold separately as DYNJP2498, sterile

**Orthopedic Pack I**

**DYNJP8300**

- 2 Hand towels
- 1 Mayo stand cover
- 1 Impervious U-drape with adhesive
- 1 ¼ drape, 53" x 77"
- 4 Utility drapes with adhesive
- 1 Suture bag
- 1 Split drape with adhesive, 77" x 108"
- 1 Table cover, reinforced poly, 50" x 90"

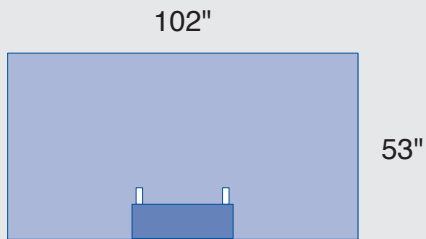
*Packaging: 5/cs*

**Orthopedic Pack II**

**DYNJP8310**

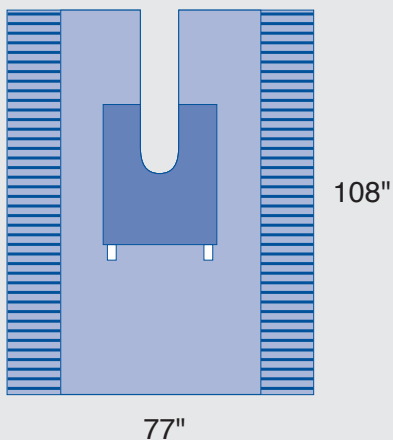
- 4 Hand towels
- 2 Gowns, x-large, poly-reinforced
- 1 Mayo stand cover
- 1 Impervious U-drape with adhesive
- 1 ¼ drape, 53" x 77"
- 4 Utility drapes with adhesive
- 1 Suture bag
- 1 Split drape with adhesive, 77" x 108"
- 1 Table cover, reinforced poly, 50" x 90"

*Packaging: 6/cs*



**Top Drape included in pack  
DYNJP8320, DYNJP8330**

- Absorbent reinforcement, 29" x 10"
- Velcro-style line holders
- Adhesive along reinforced edge
- Drape sold separately as DYNJP4002, sterile



**Orthopedic Split Drape included  
in pack DYNJP8320, DYNJP8330**

- Absorbent reinforcement, 39" x 23"
- Split with adhesive, 6" x 40"
- Velcro-style line holders
- Drape sold separately as DYNJP8301, sterile

**Orthopedic Pack III**

**DYNJP8320**

- 1 Gown, large, poly-reinforced with towel in outer wrap
- 1 Gown, x-large, poly-reinforced
- 1 Mayo stand cover
- 1 Top drape, 102" x 53"
- 1 Impervious U-drape with adhesive
- 1 Impervious stockinette, 12" x 48"
- 4 Utility drapes with adhesive
- 1 Suture bag
- 1 Orthopedic split drape with adhesive, 77" x 108"
- 1 Table cover, reinforced poly, 50" x 90"

*Packaging: 4/cs*

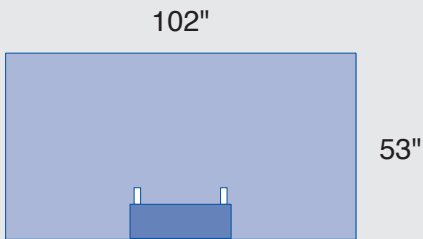
**Orthopedic Pack IV**

**DYNJP8330**

- 1 Mayo stand cover
- 1 Top drape, 102" x 53"
- 1 Impervious U-drape with adhesive
- 1 Impervious stockinette, 12" x 48"
- 1 Suture bag
- 1 Orthopedic split drape with adhesive, 77" x 108"
- 1 Table cover, reinforced poly, 50" x 90"

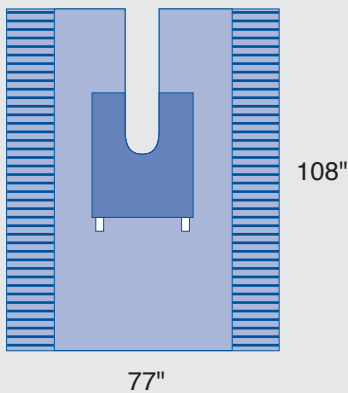
*Packaging: 5/cs*





### Top Drape

- Absorbent reinforcement, 29" x 10"
- Velcro-style line holders
- Adhesive along reinforced edge



### Orthopedic Split Drape

- Absorbent reinforcement, 39" x 23"
- Split with adhesive, 6" x 40"
- Velcro-style line holders

### Proxima Top Drape

**DYNJP4002**

*Packaging: 14/cs*

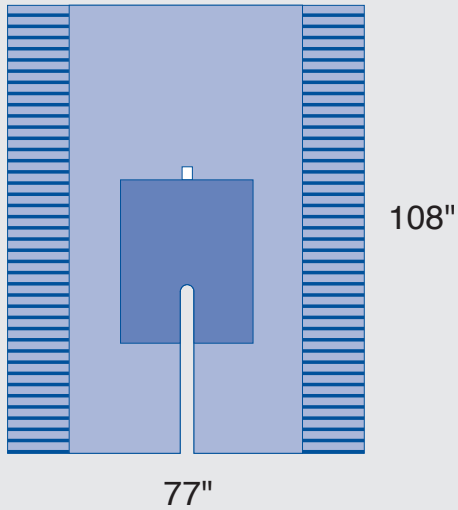
Non-Sterile Item Number: SPT-4205S  
*(for use in custom trays; not sold separately)*

### Proxima Orthopedic Split Drape

**DYNJP8301**

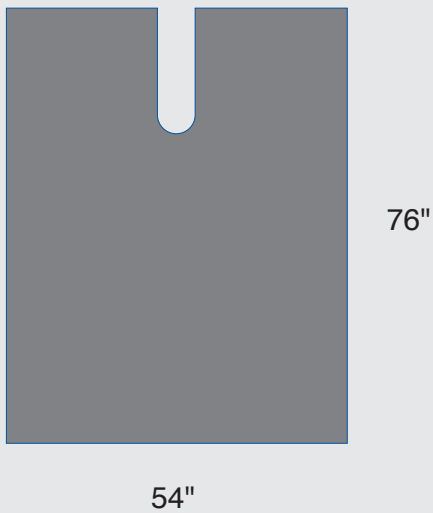
*Packaging: 10/cs*

Non-Sterile Item Number: SPT-2451S  
*(for use in custom trays; not sold separately)*



### Split Drape

- Absorbent reinforcement, 36" x 29"
- Split with adhesive, 2½" x 37"
- Velcro-style line holders



### Impervious U-Drape

- Split with adhesive, 6" x 24"

## Proxima Split Drape with Adhesive DYNJP2498

Packaging: 10/cs

Non-Sterile Item Number: SPT-2450S

(for use in custom trays; not sold separately)

## Proxima Impervious U-Drape

DYNJP2499

Packaging: 24/cs

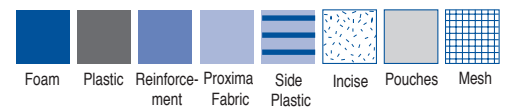
Non-Sterile Item Number: 12139

(for use in custom trays; not sold separately)



Proxima Protection Products from Medline

All products are sterile and latex free unless otherwise indicated.







**PROXIMA**

**SHOULDERS**

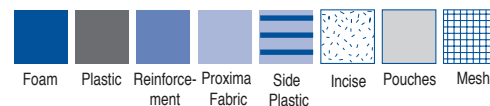


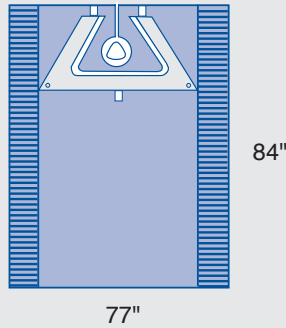
|                        |                                  | Page<br>Number | Case<br>Pack | Allegiance<br>Convertors | Molnlycke<br>Barrier | Kimberly<br>Clarke | Maxxim<br>Boundary |
|------------------------|----------------------------------|----------------|--------------|--------------------------|----------------------|--------------------|--------------------|
| <b>Shoulder Packs</b>  |                                  |                |              |                          |                      |                    |                    |
| DYNJP8400              | Shoulder Pack I                  | 109            | 3            | 9183                     | 0296                 | 88492              | OR019              |
| DYNJP8401              | Shoulder Drape Pack with Pouch   | 109            | 10           | 29367                    | —                    | 89492              | —                  |
| DYNJP8410              | Shoulder Pack II                 | 109            | 3            | 29160                    | 1216                 | 88491              | OR018              |
| DYNJP8411              | Shoulder Split Drape Pack        | 109            | 8            | 29365                    | —                    | 89274              | —                  |
| DYNJP8420              | Shoulder Pack III                | 110            | 5            | —                        | 0177                 | —                  | —                  |
| DYNJP8421              | Shoulder Drape Pack II           | 110            | 8            | —                        | —                    | —                  | —                  |
| DYNJP8430              | Beach Chair Shoulder Pack        | 111            | 3            | —                        | —                    | 88108              | —                  |
| <b>Shoulder Drapes</b> |                                  |                |              |                          |                      |                    |                    |
| DYNJP2498              | Split Drape                      | 112            | 10           | 29436                    | 1298                 | 89321/89301        | SP018              |
| DYJNP8301              | Orthopedic Split Drape           | 112            | 10           | 29433/29440              | 1298                 | 89275/89347        | SP031              |
| DYNJP8412              | Beach Chair Shoulder Drape       | 111            | 5            | 29369                    | —                    | 89066              | —                  |
| <b>Stockinettes</b>    |                                  |                |              |                          |                      |                    |                    |
| NON22520               | Impervious Stockinette 6" x 30"  | 22             | 24           | 1584                     | 0272                 | 92514              | —                  |
| NON22530               | Impervious Stockinette 9" x 36"  | 22             | 15           | 1585/1586                | 0273                 | 89811/92515        | —                  |
| NON22535               | Impervious Stockinette 12" x 48" | 22             | 10           | 1587                     | 0274                 | 89821              | —                  |
| <b>Accessories</b>     |                                  |                |              |                          |                      |                    |                    |
| DYNJSD1067             | Shoulder U-Pouch                 | 114            | 24           | —                        | 5217                 | —                  | —                  |



Proxima Protection Products from Medline

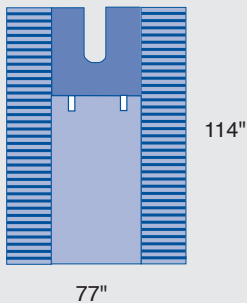
All products are sterile and latex free unless otherwise indicated.





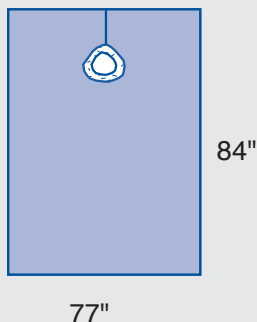
**Shoulder Drape with Fluid Collection Pouch included in packs DYNJP8400, DYNJP8401**

- Contoured shoulder split with incise
- Fluid collection pouch with drainage ports
- Velcro-style line holders



**Body Split Drape for Shoulders included in packs DYNJP8400, 8401, 8410, 8411**

- Absorbent reinforcement, 39" x 40"
- Split with adhesive, 10" x 26"
- Velcro-style line holders



**Shoulder Split Drape with Incise included in packs DYNJP8410 and DYNJP8411**

- Contoured shoulder split with incise

**Shoulder Pack I**

**DYNJP8400**

- 1 Gown, large, poly-reinforced with towel in outer wrap
- 1 Hand towel
- 1 Gown, xx-large, poly-reinforced
- 1 Mayo stand cover
- 2 Drape tape strips
- 1 Suture bag
- 1 Body split drape for shoulders, with adhesive, 77" x 114"
- 1 Shoulder drape with fluid collection pouch, 77" x 84"
- 1 Table cover, reinforced poly, 50" x 90"

*Packaging: 3/cs*

**Shoulder Drape Pack with Pouch DYNJP8401**

- 1 Body split drape for shoulders with adhesive, 77" x 114"
- 1 Shoulder drape with fluid collection pouch, 77" x 84"

*Packaging: 10/cs*

**Shoulder Pack II**

**DYNJP8410**

- 1 Gown, large, non-reinforced with towel in outer wrap
- 3 Hand towels
- 1 Gown, xx-large, poly-reinforced
- 1 Mayo stand cover
- 1 Impervious U-drape with adhesive
- 4 Utility drapes with adhesive
- 1 Suture bag
- 1 Body split drape for shoulder with adhesive, 77" x 114"
- 1 Shoulder split drape with incise, 77" x 84"
- 1 Table cover, reinforced poly, 50" x 90"

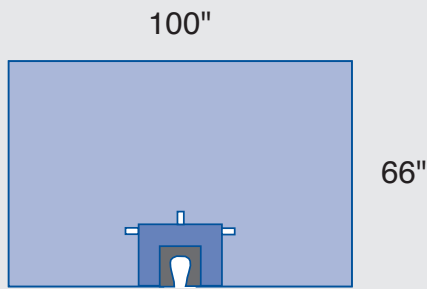
*Packaging: 3/cs*

**Shoulder Drape Pack**

**DYNJP8411**

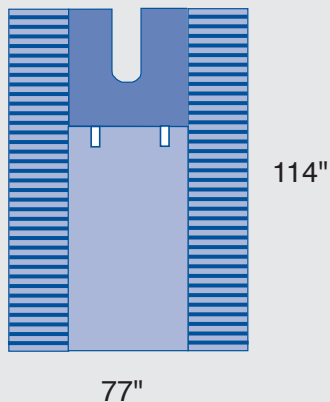
- 1 Body Split drape for shoulders with adhesive, 77" x 114"
- 1 Shoulder split drape with incise, 77" x 84"

*Packaging: 8/cs*



**Shoulder Split Drape included in packs  
DYNJP8420, DYNJP8421**

- Contoured shoulder split with adhesive
- Absorbent reinforcement, 18" x 29"
- Velcro-Style line holders



**Body Split Drape for Shoulders  
included in packs DYNJP8420,  
DYNJP8421**

- Absorbent reinforcement, 39" x 40"
- Split with adhesive, 10" x 26"
- Velcro-style line holders

**Shoulder Pack III**

**DYNJP8420**

- 1 Mayo stand cover
- 1 Impervious U-drape with adhesive
- 2 Drape tape strips
- 1 Suture bag
- 1 Body split drape for shoulders with adhesive, 77" x 114"
- 1 Shoulder split drape, 100" x 66"
- 1 Table cover, reinforced poly, 50" x 90"

*Packaging: 5/cs*

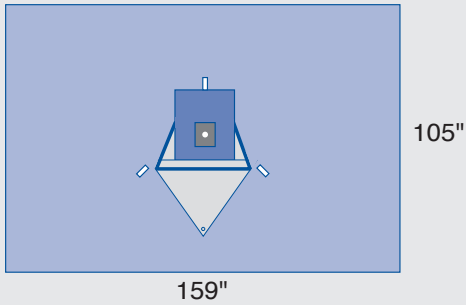
**Shoulder Drape Pack II**

**DYNJP8421**

- 1 Body split drape for shoulders with adhesive, 77" x 114"
- 1 Shoulder split drape, 100" x 66"

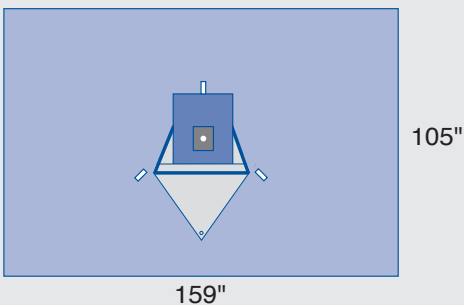
*Packaging: 8/cs*





### Beach Chair Shoulder Drape included in pack DYNJP8430

- Absorbent reinforcement, 18" x 28"
- 3¾" circular elastic fenestration with adhesive
- Attached fluid collection pouch, 30" x 19" with port
- Malleable wire
- Velcro-style line holders



### Beach Chair Shoulder Drape

- Absorbent reinforcement, 18" x 28"
- 3¾" circular elastic fenestration with adhesive
- Attached fluid collection pouch, 30" x 19" with port
- Malleable wire
- Velcro-style line holders

### Beach Chair Shoulder Pack

**DYNJP8430**

- 1 Gown, large, poly reinforced with towel in outer wrap
- 1 Gown, x-large, poly reinforced
- 1 Absorbent towel
- 1 Impervious U drape with adhesive
- 1 Suture bag
- 1 Beach chair shoulder drape, 105" x 159"
- 1 Table cover, reinforced poly, 50" x 90"

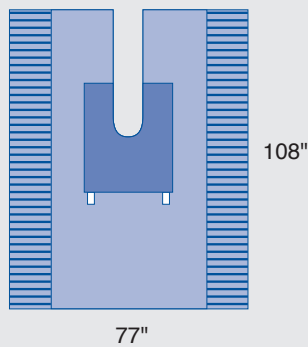
*Packaging: 3/cs*

### Proxima Beach Chair Shoulder Drape

**DYNJP8412**

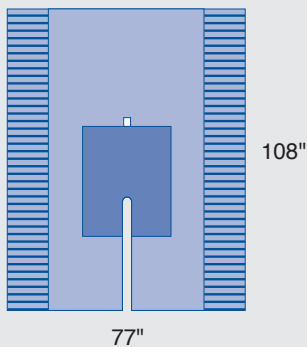
*Packaging: 5/cs*

Non-Sterile Item Number: SPT-8404S  
*(for use in custom trays; not sold separately)*



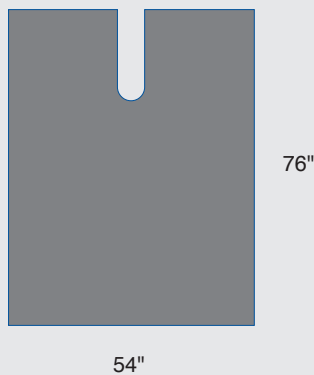
### Orthopedic Split Drape

- Absorbent reinforcement, 39" x 23"
- Split with adhesive, 6" x 40"
- Velcro-style line holders



### Split Drape

- Absorbent reinforcement, 36" x 29"
- Split with adhesive, 2½" x 37"
- Velcro-style line holders



### Impervious U-Drape

- Split with adhesive, 6" x 24"

## Proxima Orthopedic Split Drape DYNJP8301

Packaging: 10/cs

Non-Sterile Item Number: SPT-2451S

(for use in custom trays; not sold separately)

## Proxima Split Drape with Adhesive DYNJP2498

Packaging: 10/cs

Non-Sterile Item Number: SPT-2450S

(for use in custom trays; not sold separately)

## Proxima Impervious U-Drape DYNJP2499

Packaging: 24/cs

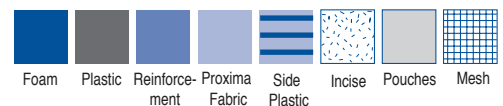
Non-Sterile Item Number: 12139

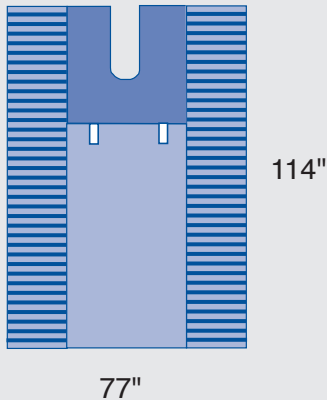
(for use in custom trays; not sold separately)



Proxima Protection Products from Medline

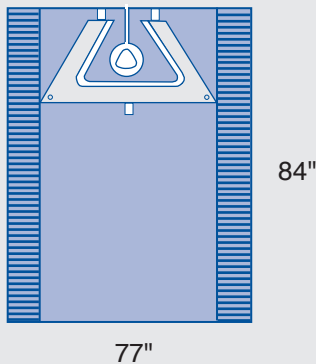
All products are sterile and latex free unless otherwise indicated.





### Body Split Drape for Shoulders

- Absorbent reinforcement, 39" x 40"
- Split with adhesive, 10" x 26"
- Velcro-style line holders



### Shoulder Split with Incise and Fluid Collection Pouch

- Contoured shoulder split with incise and 7" x 11" pear-shaped split
- Fluid collection pouch with drainage ports
- Velcro-style line holders

### Proxima Body Split Drape for Shoulders \*

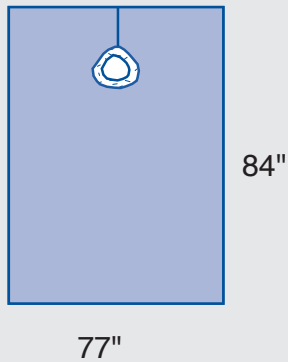
Non-Sterile Item Number: SPT-2452S  
(for use in custom trays; not sold separately)

\* not available sterile

### Proxima Shoulder Drape with Fluid Collection Pouch \*

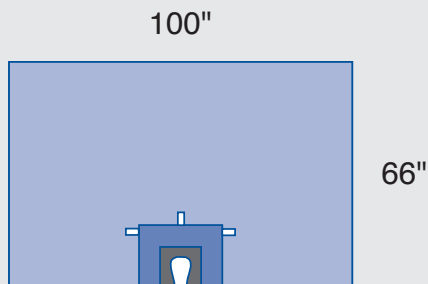
Non-Sterile Item Number: SPT-8401S  
(for use in custom trays; not sold separately)

\* not available sterile



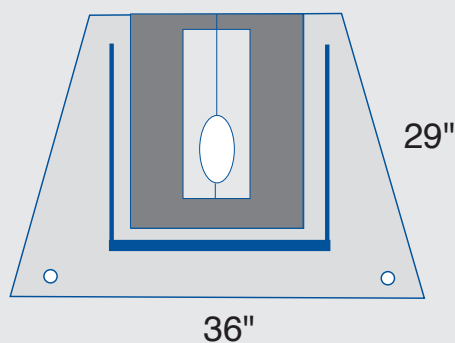
### Shoulder Split Drape with Incise

- Contoured shoulder split with incise



### Shoulder Split Drape

- Contoured shoulder split with adhesive
- Absorbent reinforcement, 18" x 29"
- Velcro-style line holders



### Shoulder U Pouch

- Oval aperture, 7.5" x 10" with slit and adhesive
- 2 malleable wire strips and 1 foam strip to form pouch
- 2 suction ports with caps

### Proxima Shoulder Split Drape with Incise \*

Non-Sterile Item Number: SPT-8402S  
(for use in custom trays; not sold separately)

\* not available sterile

### Proxima Shoulder Split Drape \*

Non-Sterile Item Number: SPT-8403S  
(for use in custom trays; not sold separately)

\* not available sterile

### Proxima Shoulder U Pouch

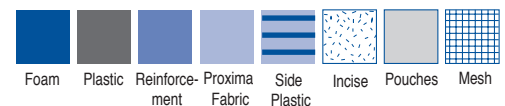
DYNJSD1067

Packaging: 24/cs

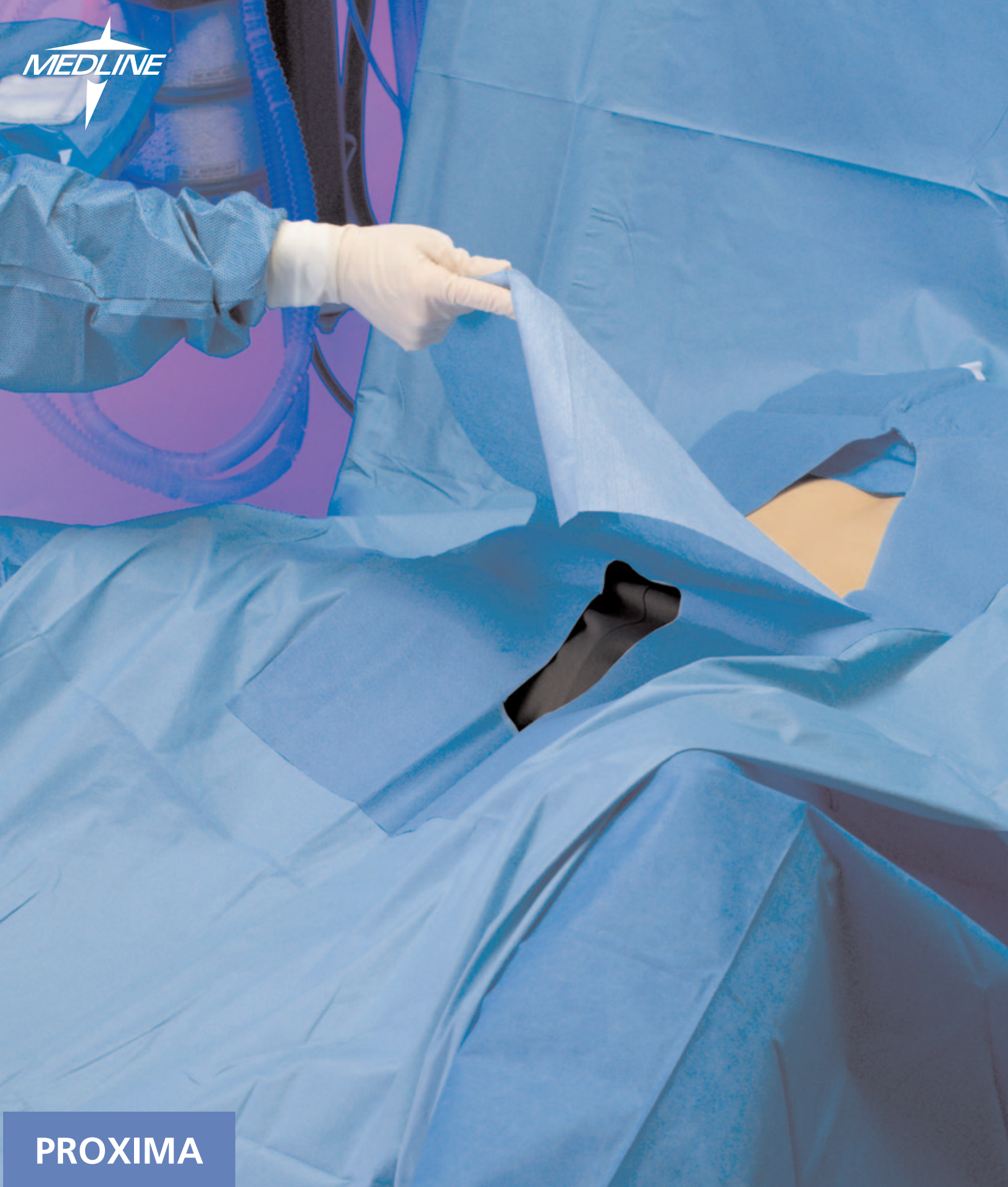


Proxima Protection Products from Medline

All products are sterile and latex free unless otherwise indicated.







**PROXIMA**

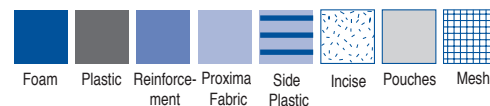
**PERI-GYN**

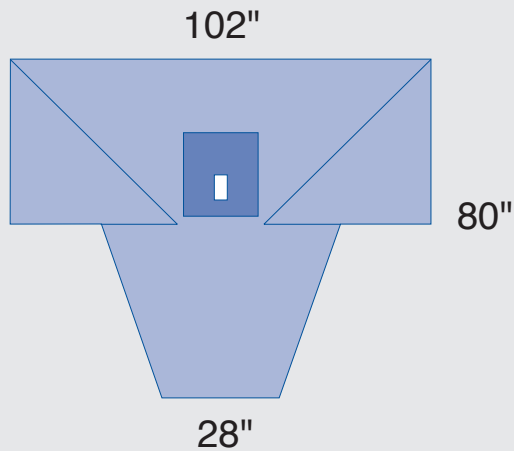
|                             |  | Page<br>Number | Case<br>Pack | Allegiance<br>Convertors | Molnlycke<br>Barrier | Kimberly<br>Clarke | Maxxim<br>Boundary |
|-----------------------------|--|----------------|--------------|--------------------------|----------------------|--------------------|--------------------|
| <b>Lithotomy Packs</b>      |  |                |              |                          |                      |                    |                    |
| DYNJP9000                   | Lithotomy Pack I   | 117            | 10           | 29170                    | 1251                 | 88511/88531        | LT045/LT046        |
| DYNJP9010                   | Lithotomy Pack II  | 117            | 12           | 9175                     | 1250                 | 88521              | LT025/LT026        |
| DYNJP9020                   | Lithotomy Pack III   | 118            | 10           | 9174                     | 1253                 | 88541              | LT056              |
| DYNJP9030                   | Lithotomy Pack IV  | 118            | 10           | 29176                    | 1257                 | 88551              | LT076              |
| DYNJP9040                   | Lithotomy Pack V   | 118            | 10           | —                        | —                    | —                  | —                  |
| <b>Laparoscopy Packs</b>    |  |                |              |                          |                      |                    |                    |
| DYNJP9100                   | Laparoscopy Pack I   | 121            | 10           | 29142                    | 1258                 | 88088              | LR015/LR016        |
| DYNJP9110                   | Laparoscopy Pack II  | 121            | 8            | 29145                    | 1259                 | 88222              | LR028              |
| DYNJP9120                   | LAVH Pack  | 122            | 4            | 29475                    | 0252                 | 88224              | LR048              |
| DYNJP9130                   | Laparoscopic Perineal Pack                                   | 122            | 10           | 29403/29406              | —                    | 89220              | —                  |
| DYNJP9140                   | Laparoscopy Pack III   | 123            | 10           | —                        | —                    | —                  | —                  |
| <b>Laparoscopy Drapes</b>   |  |                |              |                          |                      |                    |                    |
| DYNJP9101                   | Laparoscopy Drape  | 124            | 8            | 19402                    | —                    | 89119              | —                  |
| DYNJP9103                   | LAVH Drape/Abdominal Lithotomy Drape                         | 124            | 8            | 29474                    | 0253                 | 89224              | LR050              |
| <b>Lithotomy Drapes</b>     |  |                |              |                          |                      |                    |                    |
| DYNJP9001                   | Lithotomy Drape w/Pouch                                      | 119            | 8            | 29455                    | 1224                 | —                  | LT050              |
| DYNJP9002                   | Lithotomy Drape with Attached Leggings                       | 119            | 10           | 29450                    | 1208                 | 89203              | —                  |
| DYNJP9003                   | Lithotomy Drape with Attached Leggings and Anesthesia Screen | 119            | 12           | —                        | —                    | —                  | —                  |
| <b>Peri-Gyn Accessories</b> |  |                |              |                          |                      |                    |                    |
| DYNJP6001                   | Underbuttocks Drape  | 60             | 40           | 8483                     | 1229                 | 89413              | UB015              |
| DYNJP2460                   | Leggings - 2 pack 29X43 + 6" cuff                            | 53             | 20           | 8420                     | 1255                 | 89401              | LG015              |
| DYNJP2461                   | Leggings XL 33X51 + 6" cuff                                  | 53             | 20           | 8430                     | 0255                 | —                  | LG025              |



Proxima Protection Products from Medline

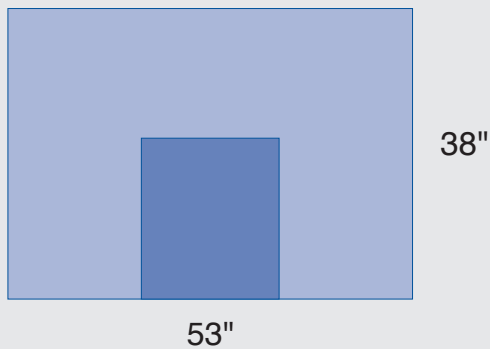
All products are sterile and latex free unless otherwise indicated.





**Lithotomy Drape included in pack DYNJP9000**

- Absorbent reinforcement, 20" x 18"
- Fenestration with adhesive, 3" x 6"
- Attached leggings
- Drape available separately as DYNJP9002, sterile



**Abdominal Drape included in pack DYNJP9010**

- Absorbent reinforcement, 21" x 18"
- Adhesive

**Lithotomy Pack I**

**DYNJP9000**

- 1 Hand towel
- 1 Underbuttocks drape with a cuff
- 1 Lithotomy drape, with attached leggings, 102" x 80"
- 1 Table cover, reinforced poly, 50" x 90"

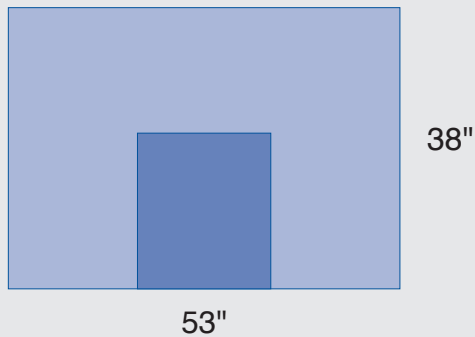
*Packaging: 10/cs*

**Lithotomy Pack II**

**DYNJP9010**

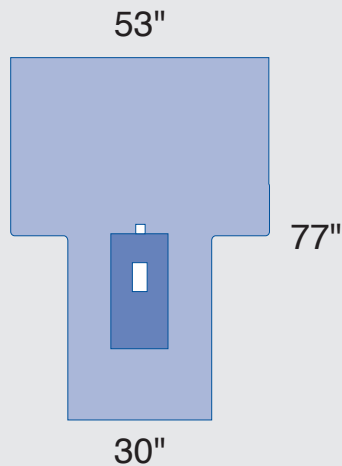
- 2 Hand towels
- 2 Leggings
- 1 Underbuttocks drape with a cuff
- 1 Abdominal drape with adhesive, 53" x 38"
- 1 Utility drape with adhesive
- 1 Table cover, reinforced poly, 50" x 90"

*Packaging: 12/cs*



**Abdominal Drape included in packs DYNJP9020, DYNJP9040**

- Absorbent reinforcement, 21" x 18"
- Adhesive



**Lithotomy T-Drape included in pack DYNJP9030**

- Absorbent reinforcement, 12" x 23"
- 3" x 6" fenestration with adhesive
- Velcro-style line holder

**Lithotomy Pack III**

**DYNJP9020**

- 3 Hand towels
- 1 Gown, large, non-reinforced
- 2 Leggings
- 1 Underbuttocks drape with a cuff
- 1 Abdominal drape with adhesive, 53" x 38"
- 1 Utility drape with adhesive
- 1 Table cover, reinforced poly, 50" x 90"

*Packaging: 10/cs*

**Lithotomy Pack IV**

**DYNJP9030**

- 2 Hand towels
- 2 Leggings
- 1 Lithotomy T-drape, 53" x 77"
- 1 Utility drape, with adhesive
- 1 Table cover, reinforced poly, 50" x 90"

*Packaging: 10/cs*

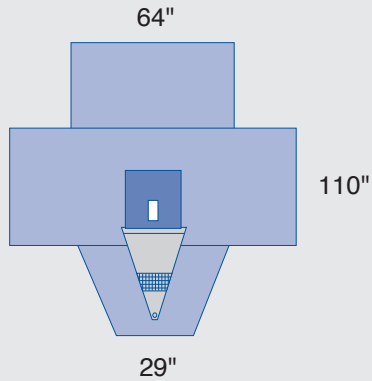
**Lithotomy Pack V**

**DYNJP9040**

- 2 Hand towels
- 1 Underbuttocks drape with a cuff
- 1 Abdominal drape with adhesive, 53" x 38"
- 1 Utility drape, with adhesive
- 1 Table cover, reinforced poly, 50" x 90"

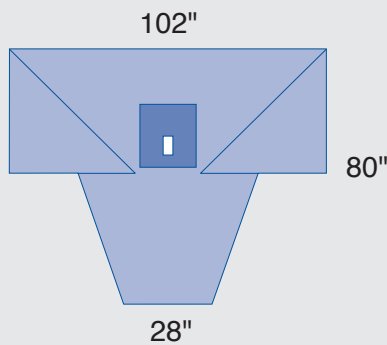
*Packaging: 10/cs*





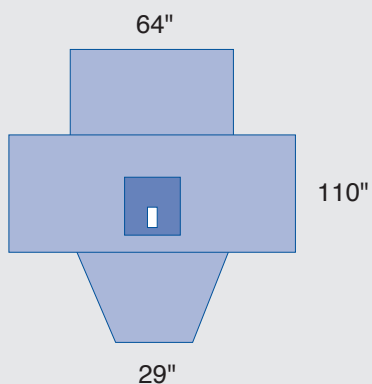
#### Lithotomy Drape with Fluid Control Pouch

- Absorbent reinforcement, 19" x 18"
- 3" x 6" perineal fenestration with adhesive
- Attached leggings
- Clear fluid collection pouch with port
- Anesthesia screen, 64" x 39"



#### Lithotomy Drape with Attached Leggings

- Absorbent reinforcement, 20" x 18"
- Fenestration with adhesive, 3" x 6"
- Attached leggings



#### Lithotomy Drape with Leggings and Anesthesia Screen

- Absorbent reinforcement, 19" x 18"
- 3" x 6" perineal fenestration with adhesive
- Attached leggings
- Anesthesia screen, 64" x 39"

### Proxima Lithotomy Drape with Attached Leggings and Fluid Control Pouch

DYNJP9001

Packaging: 8/cs

Non-Sterile Item Number: SPT-3580S  
(for use in custom trays; not sold separately)

### Proxima Lithotomy Drape with Attached Leggings

DYNJP9002

Packaging: 10/cs

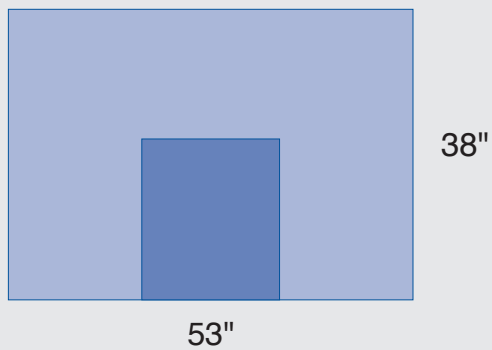
Non-Sterile Item Number: SPT-3575S  
(for use in custom trays; not sold separately)

### Proxima Lithotomy Drape with Attached Leggings and Anesthesia Screen

DYNJP9003

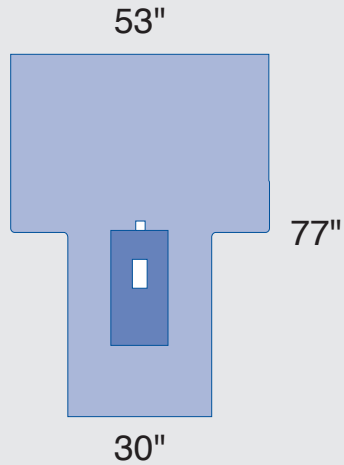
Packaging: 12/cs

Non-Sterile Item Number: SPT-3590S  
(for use in custom trays; not sold separately)



### Abdominal Drape

- Absorbent reinforcement, 21" x 18"
- Adhesive



### Lithotomy T-Drape

- Absorbent reinforcement, 12" x 23"
- 3" x 6" fenestration with adhesive
- Velcro-style line holder

### Proxima Abdominal Drape \*

Non-Sterile Item Number: SPT-2600S  
(for use in custom trays; not sold separately)

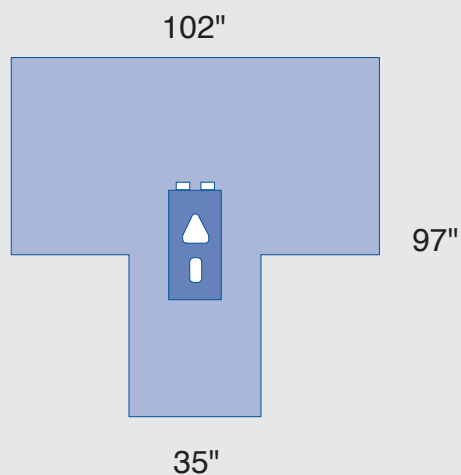
\* not available sterile

### Proxima Lithotomy T-Drape \*

Non-Sterile Item Number: SPT-3570S  
(for use in custom trays; not sold separately)

\* not available sterile





**Laparoscopy Drape included in packs DYNJP9100, DYNJP9110**

- Absorbent reinforcement, 29" x 14"
- Triangular abdominal fenestration with adhesive
- Rectangular perineal fenestration, 3" x 7" with privacy flap
- Velcro-style line holders
- Drape also available separately as DYNJP9101, sterile

**Laparoscopy Pack I**

**DYNJP9100**

- 1 Hand towel
- 2 Leggings
- 1 Utility drape with adhesive
- 1 Suture bag
- 1 Laparoscopy drape with absorbent reinforcement, 102" x 97"
- 1 Table cover, reinforced poly, 44" x 76"

*Packaging: 10/cs*

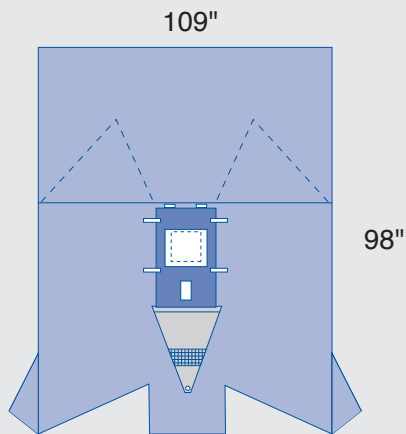
**Laparoscopy Pack II**

**DYNJP9110**

- 1 Gown, large, non-reinforced with towel in outer wrap
- 3 Hand towels
- 1 Gown, large, non-reinforced
- 1 Mayo stand cover
- 2 Leggings
- 1 Underbuttocks drape with cuff
- 1 Utility drape with adhesive
- 1 Laparoscopy drape with absorbent reinforcement, 102" x 97"
- 1 Table cover, reinforced poly, 50" x 90"

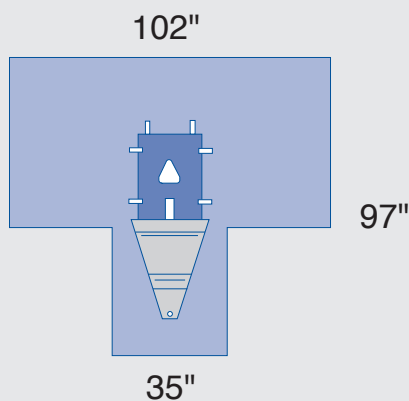
*Packaging: 8/cs*





### LAVH/Abdominal Lithotomy Drape included in pack DYNJP9120

- Absorbent reinforcement, 12" x 16" around abdominal fenestration, 12" x 13" around perineal fenestration
- Abdominal fenestration with adhesive, 10" x 10"
- Perineal fenestration, 3" x 6" with privacy flap
- Attached leggings
- Fluid control pouch with port and screen
- Four velcro-style line holders on drape, plus two additional for custom placement
- Drape also available separately as DYNJP9103, sterile



### Laparoscopic Perineal Drape included in pack DYNJP9130

- Absorbent reinforcement, 29" x 14"
- Triangular abdominal fenestration with adhesive
- Perineal fenestration 3" x 7" with adhesive and privacy flap
- Velcro-style line holders
- Fluid control pouch with screen and port

### LAVH Pack

**DYNJP9120**

- 1 Gown, large, poly-reinforced with towel in outer wrap
- 2 Hand towels
- 2 Gowns, x-large, poly-reinforced
- 1 Mayo stand cover
- 1 Underbuttocks drape with cuff
- 1 Suture bag
- 1 LAVH drape with attached leggings, 100" x 131"
- 1 Table cover, reinforced poly, 50" x 90"

Packaging: 4/cs

### Laparoscopic Perineal Pack

**DYNJP9130**

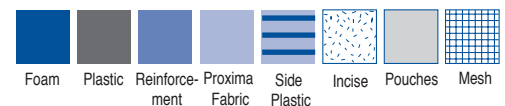
- 1 Laparoscopic perineal drape with pouch, 102" x 97"
- 2 Leggings, 29" x 43"
- 1 CSR wrap 36" x 36"

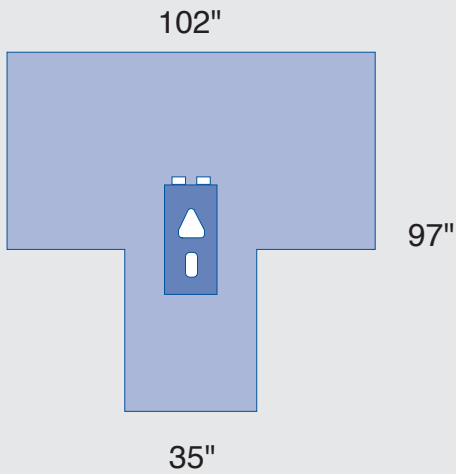
Packaging: 10/cs



Proxima Protection Products from Medline

All products are sterile and latex free unless otherwise indicated.





**Laparoscopy Drape included in packs DYNJP9140**

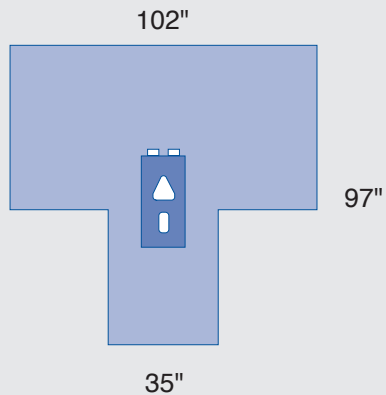
- Absorbent reinforcement, 29" x 14"
- Triangular abdominal fenestration with adhesive
- Rectangular perineal fenestration, 3" x 7" with privacy flap
- Velcro-style line holders
- Drape also available separately as DYNJP9101, sterile

**Laparoscopy Pack III**

**DYNJP9140**

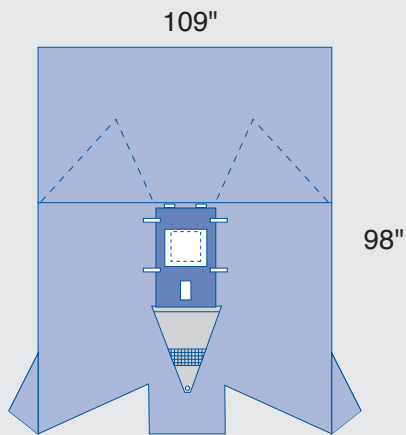
- 1 Hand towel
- 1 Utility drape with adhesive
- 1 Suture bag
- 1 Laparoscopy drape with absorbent reinforcement, 102" x 97"
- 1 Table cover, reinforced poly, 44" x 76"

*Packaging: 10/cs*



### Laparoscopy Drape

- Absorbent reinforcement, 29" x 14"
- Triangular abdominal fenestration, with adhesive
- Rectangular fenestration, 3" x 7" with privacy flap
- Velcro-style line holders



### LAVH/Abdominal Lithotomy Drape

- Absorbent reinforcement, 12" x 16" around abdominal fenestration, 12" x 13" around perineal fenestration
- Abdominal fenestration, 10" x 10"
- Perineal fenestration 3" x 6"
- Attached leggings
- Fluid control pouch with port and screen
- Four velcro-style line holders on drape, plus two additional for custom placement

### Proxima Laparoscopy Drape

DYNJP9101

Packaging: 8/cs

Non-Sterile Item Number: SPT-3711S

(for use in custom trays; not sold separately)

### Proxima LAVH/Abdominal Lithotomy Drape

DYNJP9103

Packaging: 8/cs

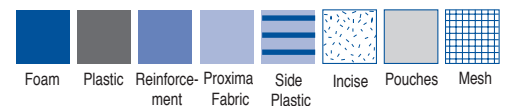
Non-Sterile Item Number: SPT-3595S

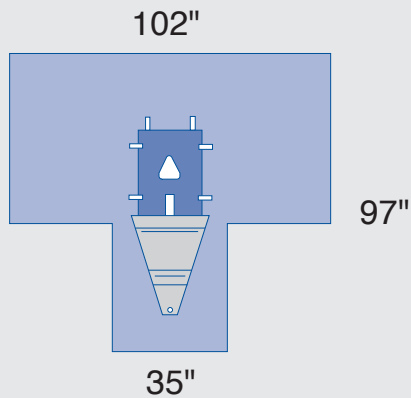
(for use in custom trays; not sold separately)



Proxima Protection Products from Medline

All products are sterile and latex free unless otherwise indicated.



**Laparoscopic Perineal Drape•**

- Absorbent reinforcement, 29" x 14"
- Triangular abdominal fenestration with adhesive
- Perineal fenestration 3" x 7" with adhesive and privacy flap
- Velcro-style line holders
- Fluid control pouch with screen and port

**Proxima Laparoscopic Perineal Drape with Pouch** \*

Non-Sterile Item Number: SPT-3751S

*(for use in custom trays; not sold separately)*

\* *not available sterile*

29"



43"

**Leggings**

33"



51"

**X-Large Leggings**

35"



47"

**Underbuttocks Drape**

- 7" Cuff

**Proxima Leggings, 29" x 43"****DYNJP2460**

2 Leggings, 29" x 43" with 6" cuff

*Packaging: 20/cs*

Non-Sterile Item Number: 12147

*(for use in custom trays; not sold separately)***Proxima X-Large Leggings,  
33" x 51"****DYNJP2461**

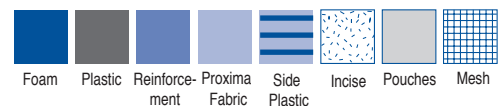
2 Leggings, X-Large, 33" x 51" with 6" cuff

*Packaging: 20/cs*

Non-Sterile Item Number: 27478

*(for use in custom trays; not sold separately)***Proxima Underbuttocks Drape  
with Cuff****DYNJP6001***Packaging: 40/cs*

Non-Sterile Item Number: SPT-2490

*(for use in custom trays; not sold separately)***Proxima Protection Products from Medline***All products are sterile and latex free unless otherwise indicated.*



**PROXIMA**

**INCISE DRAPES**

| Incise Drapes                      |   | Case<br>Pack | 3M         | MCK     |
|------------------------------------|---|--------------|------------|---------|
| DYNJSD1000                         | Small towel drape 18" x 12"   | 40/cs        | MMM1000    | ISO1000 |
| DYNJSD1000Z                        | Small towel drape 18" x 12"   | 10/bx        | MMM1000    | ISO1000 |
| DYNJSD1000RL                       | Small towel drape, on a roll, non-sterile                                       | 4 rl/cs      | MMM1000NSR | ————    |
| DYNJSD1003                         | Isolation bag   | 10/cs        | MMM1003    | ISO1003 |
| DYNJSD1010                         | Large towel drape 18" x 24"   | 40/cs        | MMM1010    | ISO1010 |
| DYNJSD1010Z                        | Large towel drape 18" x 24"   | 10/bx        | MMM1010    | ISO1010 |
| DYNJSD1010RL                       | Large towel drape, on a roll-NS   | 4 rl/cs      | ————       | ————    |
| DYNJSD1012                         | Fluoroscope drape 36" x 44"   | 10/cs        | MMM1012    | ISO1012 |
| DYNJSD1015                         | Poly U drape 48" x 52", U split 6" x 19"  | 40/cs        | MMM1015    | ISO1015 |
| DYNJSD1015Z                        | Poly U drape 48" x 52", U split 6" x 19"  | 10/bx        | MMM1015    | ISO1015 |
| DYNJSD1015NS                       | Poly U drape 48" x 52", U split 6" x 19", non-sterile                           | 100/cs       | ————       | ————    |
| DYNJSD1016                         | Fluid collection pouch  | 40/cs        | MMM1016    | ISO1016 |
| DYNJSD1017                         | Vertical isolation drape 125" x 84"   | 15/cs        | MMM1017    | ISO1017 |
| DYNJSD1018                         | Instrument pouch 6.75" x 12"  | 40/cs        | MMM1018    | ISO1018 |
| DYNJSD1018Z                        | Instrument pouch 6.75" x 12"  | 10/bx        | MMM1018    | ISO1018 |
| DYNJSD1020                         | Small aperture drape 16" x 16", 2.5" circular aperture                          | 40/cs        | MMM1020    | ISO1020 |
| DYNJSD1020Z                        | Small aperture drape 16" x 16", 2.5" circular aperture                          | 10/bx        | MMM1020    | ISO1020 |
| DYNJSD1021                         | Small ophth. incise drape 16" x 16", Adhesive area 5" x 4.5"                    | 40/cs        | MMM1021    | ISO1021 |
| DYNJSD1030                         | Large aperture drape 33" x 51", 3" x 2" oval aperture                           | 40/cs        | MMM1030    | ISO1030 |
| DYNJSD1030Z                        | Large aperture drape 33" x 51", 3" x 2" oval aperture                           | 10/bx        | MMM1030    | ISO1030 |
| DYNJSD1035                         | Small incise drape 6.5" x 7.5"  | 40/cs        | MMM1035    | ISO1035 |
| DYNJSD1040                         | Medium incise drape 24" x 14"   | 40/cs        | MMM1040    | ISO1040 |
| DYNJSD1040Z                        | Medium incise drape 24" x 14"   | 10/bx        | MMM1040    | ISO1040 |
| DYNJSD1050                         | Large incise drape 36" x 17.5"  | 40/cs        | MMM1050    | ISO1050 |
| DYNJSD1050Z                        | Large incise drape 36" x 17.5"  | 10/bx        | MMM1050    | ISO1050 |
| DYNJSD1051                         | Extra large incise drape 36" x 33"  | 40/cs        | MMM1051    | ISO1051 |
| DYNJSD1051Z                        | Extra large incise drape 36" x 33"  | 10/bx        | MMM1051    | ISO1051 |
| DYNJSD1060                         | Special incise drape 48" x 51", incise adhesive area 5" x 4.5"                  | 40/cs        | MMM1060    | ISO1060 |
| DYNJSD1060Z                        | Special incise drape 48" x 51", incise adhesive area 5" x 4.5"                  | 10/bx        | MMM1060    | ISO1060 |
| DYNJSD1061                         | Special incise drape 48" x 51", incise adhesive area 5" x 4.5", pouch 12" x 11" | 40/cs        | MMM1061    | ISO1061 |
| DYNJSD1061Z                        | Special incise drape 48" x 51", incise adhesive area 5" x 4.5", pouch 12" x 11" | 10/bx        | MMM1061    | ISO1061 |
| DYNJSD1067                         | Shoulder U Pouch, 35" x 30"   | 24/cs        | MMM1067    | ISO1067 |
| DYNJSD1071                         | Urological drape 24" x 36"  | 10/cs        | MMM1071    |         |
| <b>Antimicrobial Incise Drapes</b> |   |              |            |         |
| DYNJSD6640                         | Antimicrobial incise drape 24" x 14"  | 40/cs        | MMM6640    | ISO6640 |
| DYNJSD6640Z                        | Antimicrobial incise drape 24" x 14"  | 10/bx        | MMM6640    | ISO6640 |
| DYNJSD6648                         | Antimicrobial incise drape 35 x 23"   | 40/cs        | MMM6648    | ISO6648 |
| DYNJSD6650                         | Antimicrobial incise drape 32" x 18"  | 40/cs        | MMM6650    | ISO6650 |
| DYNJSD6650Z                        | Antimicrobial incise drape 32" x 18"  | 10/bx        | MMM6650    | ISO6650 |
| DYNJSD6651                         | Antimicrobial incise drape 36" x 36"  | 40/cs        | MMM6651    | ISO6651 |
| DYNJSD6651Z                        | Antimicrobial incise drape 36" x 36"  | 10/bx        | MMM6651    | ISO6651 |







|  |   |  |  |
|--|---|--|--|
| 05136 .....22                          | DYNJP1055 .....14, 18                               | DYNJP2494 (29673) .....22                              | DYNJP5030 .....50, 52                            |
| 05579 .....22                          | DYNJP1060 .....14, 19                               | DYNJP2498 (SPT-2450S) 20, 80<br>.....102,106, 108, 112 | DYNJP6000 .....56, 57                            |
| 05902 .....63                          | DYNJP2000 .....14, 22                               | DYNJP2499 (12139)<br>.....86, 100, 106, 112            | DYNJP6001 (SPT-2490)<br>.....56, 60, 126         |
| 06712 .....22                          | DYNJP2001(SPT-2001).....8, 9                        | DYNJP2500 (11348) .....14, 22                          | DYNJP6002 (08454) .....56, 60                    |
| 07164 .....22                          | DYNJP2002 (SPT-2002) .....8, 9                      | DYNJP2510 (SPT-2505) ..14, 22                          | DYNJP6003 (10301) ..24, 38, 60                   |
| 07479 .....63                          | DYNJP2003 (SPT-2003) .....8, 9                      | DYNJP2901 (SPT-2001) .....12                           | DYNJP6010 .....56, 57, 59                        |
| 08454 .....60                          | DYNJP2101 (SPT-2101) .....8, 9                      | DYNJP2902 (SPT-2002) .....12                           | DYNJP6020 .....56, 58                            |
| 08902 .....22, 61                      | DYNJP2103 (SPT-2103) .....8, 9                      | DYNJP2931 (19310) .....12                              | DYNJP6030 .....56, 59                            |
| 09440 .....22                          | DYNJP2201 (SPT-2201) .....8, 10                     | DYNJP2932 (21394) .....12                              | DYNJP6040 .....56                                |
| 10301 .....38                          | DYNJP2202 (SPT-2202) .....8, 10                     | DYNJP2933 (SPT-2303) .....12                           | DYNJP6100 .....56, 64                            |
| 11348 .....22                          | DYNJP2203 (SPT-2203) .....8, 10                     | DYNJP3000 .....24, 25                                  | DYNJP6101 (SPT-2610S) 56, 67                     |
| 12139 .....86, 100, 106, 112           | DYNJP2204 (SPT-2204) .....8, 10                     | DYNJP3002 (SPT-2535S) 24, 30                           | DYNJP6102(SPT-2620S) ..56, 67                    |
| 12147 .....22, 61, 126                 | DYNJP2205 (SPT-2205) .....8, 10                     | DYNJP3003 (SPT-3110S) 24, 30                           | DYNJP6110 .....56, 64                            |
| 12365 .....22                          | DYNJP2206 (SPT-2206) .....8, 10                     | DYNJP3005 (SPT-3140S) 24, 31                           | DYNJP6120 .....56, 65                            |
| 12496 .....22                          | DYNJP2210 .....14, 22                               | DYNJP3007 (SPT-3160S) 24, 31                           | DYNJP6130 .....56, 66                            |
| 14184 .....22                          | DYNJP2215 (05136) .....14, 22                       | DYNJP3008 (SPT-3130S) 24, 32                           | DYNJP7000 .....70, 71                            |
| 14185 .....22                          | DYNJP2220 (05579) .....14, 22                       | DYNJP3009 (SPT-2545S) 24, 32                           | DYNJP7001 (SPT-5590S) 70, 73                     |
| 15648 .....22                          | DYNJP2230 .....22                                   | DYNJP3010 .....24, 25                                  | DYNJP7002 (SPT-2510S) 70, 73                     |
| 19298 .....22                          | DYNJP2301 (19310) .....8, 11                        | DYNJP3020 .....24, 26                                  | DYNJP7003 (SPT-2520S) 70, 74                     |
| 19300 .....22                          | DYNJP2302 (21394) .....8, 11                        | DYNJP3030 .....24, 26                                  | DYNJP7004 (29676) .....70, 76                    |
| 19310 .....11                          | DYNJP2303 (SPT-2303) .....8, 11                     | DYNJP3040 .....24, 27                                  | DYNJP7005 (29677) .....70, 76                    |
| 20868 .....22                          | DYNJP2309 (61026) .....14, 22                       | DYNJP3050 .....24, 27                                  | DYNJP7006 (30023) .....70, 77                    |
| 21394 .....11                          | DYNJP2311 (61025) .....14, 22                       | DYNJP3060 .....24, 28                                  | DYNJP7007 (30024) .....70, 77                    |
| 27082 .....47                          | DYNJP2312 (12365) .....14, 22                       | DYNJP3070 .....24, 28                                  | DYNJP7008 (SPT-5610S) 70, 75                     |
| 27083 .....47                          | DYNJP2313 .....14, 22                               | DYNJP3080 .....24, 29                                  | DYNJP7009 (SPT-5600S) 70, 75                     |
| 27084 .....48                          | DYNJP2314 .....14, 22                               | DYNJP3100 .....24, 34                                  | DYNJP7010 .....70, 71, 72                        |
| 27478 .....22, 61, 126                 | DYNJP2316 (61024) .....14, 22                       | DYNJP3101 (SPT-3815S) 24, 35                           | DYNJP7020 .....70, 72                            |
| 29522 .....22                          | DYNJP2405 (12496) .....14, 22                       | DYNJP3102 (SPT-3820S) 24, 35                           | DYNJP7030 .....70                                |
| 29673 .....22                          | DYNJP2406 (12496) .....22                           | DYNJP3103 (SPT-3830S) 24, 36                           | DYNJP8000 .....80, 82, 83                        |
| 29676 .....76                          | DYNJP2408 (29522) .....22                           | DYNJP3110 .....24, 34                                  | DYNJP8002 (SPT-2550S)<br>.....80, 82, 86, 90, 93 |
| 29677 .....76                          | DYNJP2410 (14185) .....14, 22                       | DYNJP4000 .....40, 41                                  | DYNJP8003 (SPT-2555S)<br>.....80, 82, 87         |
| 61024 .....22                          | DYNJP2411 (08902) .....14, 22                       | DYNJP4001 (SPT-4200S) 40, 43                           | DYNJP8004 (SPT-8620S)<br>.....80, 82, 87         |
| 61025 .....22                          | DYNJP2412 (09440) .....14, 22                       | DYNJP4002 (SPT-4205S)<br>.....20, 40, 43, 105          | DYNJP8005 (SPT-8610S)<br>.....80, 82, 88         |
| 61026 .....22                          | DYNJP2413 (20868) ..14, 22, 61                      | DYNJP4003 (SPT-4202S) 40, 44                           | DYNJP8010 .....80, 82, 83                        |
| DYJNP4006 .....40                      | DYNJP2414 (14184) .....14, 22                       | DYNJP4004 (SPT-4203S) 40, 44                           | DYNJP8020 .....80, 82, 84, 85                    |
| DYJNP8301 .....80, 102, 108            | DYNJP2415 (15648) .....14, 22                       | DYNJP4005 (SPT-4208S) 40, 45                           | DYNJP8030 .....80, 82, 84                        |
| DYNJP1000 .....14, 15                  | DYNJP2416 (07164) .....14, 22                       | DYNJP4006 (SPT-4201S) .....45                          | DYNJP8040 .....80, 82                            |
| DYNJP10001 (SPT-10001S)<br>.....70, 78 | DYNJP2417 (SPT-DRAPLGS)<br>.....14, 22              | DYNJP4007 (SPT-4204S) 40, 46                           | DYNJP8100 .....80, 90, 91                        |
| DYNJP1005 .....14, 15                  | DYNJP2418 (SPT-2491) .....14                        | DYNJP4010 .....40, 41                                  | DYNJP8101 (SPT-2560S)<br>.....80, 90, 94         |
| DYNJP1010 .....14, 15                  | DYNJP2419 (SPT-DRAPXLS)<br>.....14, 22              | DYNJP4020 .....40, 42                                  | DYNJP8102 (SPT-2565S)<br>.....80, 90, 94         |
| DYNJP1015 .....14, 15                  | DYNJP2460 (12147) ..14, 22, 51,<br>.....53, 61, 126 | DYNJP4101 (27082) .....40, 47                          | DYNJP8110 .....80, 90, 91                        |
| DYNJP1020 .....14, 15                  | DYNJP2461 (27478)<br>.....14, 22, 53, 61, 126       | DYNJP4102 (27083) .....40, 47                          | DYNJP8120 .....80, 90, 92                        |
| DYNJP1025 .....14, 16                  | DYNJP2491 (SPT-2540S)<br>.....24, 37                | DYNJP4104 (27084) .....40, 48                          | DYNJP8130 .....80, 90, 92                        |
| DYNJP1030 .....14, 16                  | DYNJP2492 (SPT-2545S) 24, 37                        | DYNJP4105 .....40, 48                                  | DYNJP8140 .....80, 90, 93                        |
| DYNJP1035 .....14, 16                  | DYNJP2493 (SPT-3190S) 24, 38                        | DYNJP5000 .....50                                      |  |
| DYNJP1036 .....14, 16                  |   | DYNJP5010 .....51                                      |  |
| DYNJP1040 .....14, 17                  |   | DYNJP5020 .....50, 52                                  |  |
| DYNJP1045 .....14, 17                  |   |  |  |
| DYNJP1050 .....14, 18                  |   |  |  |



|  |                             |                           |                      |
|--|-----------------------------|---------------------------|----------------------|
| DYNJP8200.....80, 96, 97                   | DYNJSD1015 .....128         | SPT-2452S .....113        | SPT-8290S .....99    |
| DYNJP8201 (SPT-8290S)<br>.....80, 96, 99   | DYNJSD1015NS .....128       | SPT-2490.....60, 126      | SPT-8401S .....113   |
| DYNJP8202 (SPT-8280S)<br>.....80, 96, 99   | DYNJSD1015Z.....128         | SPT-2491 .....22          | SPT-8402S .....114   |
| DYNJP8210.....80, 96, 97                   | DYNJSD1016 .....128         | SPT-2493 .....62          | SPT-8403S .....114   |
| DYNJP8220.....80, 96, 98                   | DYNJSD1017 .....128         | SPT-2495 .....62          | SPT-8404S .....111   |
| DYNJP8230.....80, 96, 98                   | DYNJSD1018 .....128         | SPT-2505 .....22          | SPT-8610S .....88    |
| DYNJP8240.....80, 96, 98                   | DYNJSD1018Z.....128         | SPT-2510S .....73         | SPT-8620S .....87    |
| DYNJP8300.....80, 102, 103                 | DYNJSD1020 .....128         | SPT-2520S .....74         | SPT-DRAPPLGS .....22 |
| DYNJP8301 (SPT-2451S)<br>.....105, 112     | DYNJSD1020Z.....128         | SPT-2535S .....30         | SPT-DRAPXLS .....22  |
| DYNJP8310.....80, 102, 103                 | DYNJSD1021 .....128         | SPT-2540S .....37         |                      |
| DYNJP8320.....80, 102, 104                 | DYNJSD1030 .....128         | SPT-2545S.....32, 37      |                      |
| DYNJP8330.....80, 102, 104                 | DYNJSD1030Z.....128         | SPT-2550S.....86, 93      |                      |
| DYNJP8400 .....80, 108, 109, 110           | DYNJSD1035 .....128         | SPT-2555S .....87         |                      |
| DYNJP8401 .....80, 108, 109                | DYNJSD1040 .....128         | SPT-2560S .....94         |                      |
| DYNJP8410.....80, 108, 109                 | DYNJSD1040Z.....128         | SPT-2565S .....94         |                      |
| DYNJP8411 .....80, 108, 109                | DYNJSD1050 .....128         | SPT-2570S .....88         |                      |
| DYNJP8412 (SPT-8404S)<br>.....80, 108, 111 | DYNJSD1050Z.....128         | SPT-2600S.....63, 120     |                      |
| DYNJP8420 .....80, 108                     | DYNJSD1051 .....128         | SPT-3110S .....30         |                      |
| DYNJP8421 .....80, 108, 110                | DYNJSD1051Z.....128         | SPT-3130S .....32         |                      |
| DYNJP8430.....80, 108, 111                 | DYNJSD1060 .....128         | SPT-3140S .....31         |                      |
| DYNJP9000.....116, 117                     | DYNJSD1060Z.....128         | SPT-3160S .....31         |                      |
| DYNJP9001 (SPT-3580S)<br>.....116, 119     | DYNJSD1061 .....128         | SPT-3170S .....33         |                      |
| DYNJP9002 (SPT-3575S)<br>.....116, 119     | DYNJSD1061Z.....128         | SPT-3190S .....38         |                      |
| DYNJP9003 (SPT-3590S)<br>.....116, 119     | DYNJSD1067 .....128         | SPT-3570S .....120        |                      |
| DYNJP9010.....116, 117                     | DYNJSD1071 .....128         | SPT-3575S .....119        |                      |
| DYNJP9020.....116, 118                     | DYNJSD6640 .....128         | SPT-3580S .....119        |                      |
| DYNJP9030.....116, 118                     | DYNJSD6640Z.....128         | SPT-3590S .....119        |                      |
| DYNJP9040.....116, 118                     | DYNJSD6648 .....128         | SPT-3595S .....124        |                      |
| DYNJP9100.....116, 121                     | DYNJSD6650 .....128         | SPT-3711S .....124        |                      |
| DYNJP9101 (SPT-3711S)<br>.....116, 124     | DYNJSD6650Z.....128         | SPT-3751S .....125        |                      |
| DYNJP9103 (SPT-3595S)<br>.....116, 124     | DYNJSD6651 .....128         | SPT-3815S .....35         |                      |
| DYNJP9110.....116, 121                     | DYNJSD6651Z.....128         | SPT-3820S .....35         |                      |
| DYNJP9120.....116, 122, 123                | NON22520 .....22            | SPT-3830S .....36         |                      |
| DYNJP9130.....116, 122                     | NON22530 .....22            | SPT-4200S .....43         |                      |
| DYNJP9140 .....116                         | NON22535 .....22            | SPT-4201S .....45         |                      |
| DYNJSD1000 .....128                        | SPT-10001S .....78          | SPT-4202S .....44         |                      |
| DYNJSD1000RL .....128                      | SPT-2001 .....9             | SPT-4203S .....44         |                      |
| DYNJSD1000Z.....128                        | SPT-2002 .....9             | SPT-4204S .....46         |                      |
| DYNJSD1003 .....128                        | SPT-2003 .....9             | SPT-4205S.....20, 43, 105 |                      |
| DYNJSD1010 .....128                        | SPT-2101 .....9             | SPT-4206S.....21, 46      |                      |
| DYNJSD1010RL .....128                      | SPT-2102 .....9             | SPT-4207S .....21         |                      |
| DYNJSD1010Z.....128                        | SPT-2103 .....9, 10         | SPT-4208S .....45         |                      |
| DYNJSD1012 .....128                        | SPT-2201 .....10            | SPT-5090S .....54         |                      |
|  | SPT-2202 .....10            | SPT-5091S .....54         |                      |
|  | SPT-2204 .....10            | SPT-5590S .....73         |                      |
|  | SPT-2205 .....10            | SPT-5591S .....75         |                      |
|  | SPT-2206 .....10            | SPT-5600S .....75         |                      |
|  | SPT-2303 .....11            | SPT-5610S .....75         |                      |
|  | SPT-2450S .....20, 106, 112 | SPT-8270S .....100        |                      |
|  | SPT-2451S.....105, 112      | SPT-8280S .....99         |                      |

## Maxxim Cross Reference Information

| Maxxim Item | Medline Item | Page Number        |
|-------------|--------------|--------------------|
| AS011       | DYNJP8101    | 80, 90, 94         |
| AS012       | DYNJP8102    | 80, 90, 94         |
| AT012       | DYNJP2220    | 14, 22             |
| AT022       | DYNJP2210    | 14, 22             |
| BA008       | DYNJP1040    | 14, 17             |
| BA010       | DYNJP1045    | 14, 17             |
| BA018       | DYNJP1010    | 14, 15             |
| BA026       | DYNJP1000    | 14, 15             |
| BA034       | DYNJP1035    | 14, 16             |
| BA036       | DYNJP1030    | 14, 16             |
| BA046       | DYNJP1025    | 14, 16             |
| BA047       | DYNJP1015    | 14, 15             |
| BC016       | DYNJP2491    | 24, 37             |
| BC026       | DYNJP2492    | 24, 37             |
| BL011       | DYNJP8004    | 80, 82, 87         |
| CL016       | DYNJP3003    | 24, 30             |
| CL022       | DYNJP3003    | 24, 30             |
| CL031       | DYNJP3008    | 24, 32             |
| CR021       | DYNJP10001   | 70, 78             |
| CS070       | DYNJP6102    | 56, 67             |
| CS080       | DYNJP6101    | 56, 67             |
| CV006       | DYNJP4001    | 40, 43             |
| CV016       | DYNJP4003    | 40, 44             |
| CV040       | DYNJP4004    | 40, 44             |
| CV073       | DYNJP4020    | 40, 42             |
| CV074       | DYNJP4006    | 40                 |
| CY016       | DYNJP5000    | 50                 |
| CY026       | DYNJP5020    | 50, 52             |
| CY036       | DYNJP5010    | 51                 |
| DS016       | DYNJP2410    | 14, 22             |
| DS018       | DYNJP2412    | 14, 22             |
| DS026       | DYNJP2414    | 14, 22             |
| DS035       | DYNJP2416    | 14, 22             |
| DS040       | DYNJP2417    | 14, 22             |
| DS052       | DYNJP2419    | 14, 22             |
| DT012       | DYNJP2405    | 14, 22             |
| ET048       | DYNJP7000    | 70, 71             |
| ET058       | DYNJP7010    | 70, 71, 72         |
| EX015       | DYNJP8002    | 80, 82, 86, 90, 93 |
| EX016       | DYNJP8002    | 80, 82, 86, 90, 93 |
| EX026       | DYNJP8003    | 80, 82, 87         |
| FA010       | DYNJP4102    | 40, 47             |
| FA011       | DYNJP4102    | 40, 47             |
| FP015       | DYNJP6002    | 56, 60             |
| FP016       | DYNJP6002    | 56, 60             |
| GL005A      | DYNJP2101    | 8, 9               |
| GL015       | DYNJP2201    | 8, 10              |
| GL020       | DYNJP2201    | 8, 10              |
| GL021       | DYNJP2201    | 8, 10              |
| GL025       | DYNJP2001    | 8, 9               |
| GL026       | DYNJP2001    | 8, 9               |
| GL030       | DYNJP2101    | 8, 9               |
| GL040       | DYNJP2001    | 8, 9               |

| Maxxim Item | Medline Item | Page Number             |
|-------------|--------------|-------------------------|
| GX005       | DYNJP2102    | 8, 9                    |
| GX015       | DYNJP2202    | 8, 10                   |
| GX020       | DYNJP2202    | 8, 10                   |
| GX021       | DYNJP2202    | 8, 10                   |
| GX025       | DYNJP2002    | 8, 9                    |
| GX026       | DYNJP2002    | 8, 9                    |
| GX030       | DYNJP2102    | 8, 9                    |
| GX040       | DYNJP2002    | 8, 9                    |
| GXX020      | DYNJP2203    | 8, 10                   |
| GXX025      | DYNJP2003    | 8, 9                    |
| GXX030      | DYNJP2103    | 8, 9                    |
| HA015       | DYNJP8005    | 80, 82, 88              |
| HD048       | DYNJP7008    | 70, 75                  |
| HD058       | DYNJP7009    | 70, 75                  |
| HP011       | DYNJP8202    | 80, 96, 99              |
| HP041       | DYNJP8201    | 80, 96, 99              |
| LA014       | DYNJP3080    | 24, 29                  |
| LA016A      | DYNJP3000    | 24, 25                  |
| LA022       | DYNJP3000    | 24, 25                  |
| LA036A      | DYNJP3030    | 24, 26                  |
| LA047A      | DYNJP3040    | 24, 27                  |
| LA048       | DYNJP3040    | 24, 27                  |
| LA057       | DYNJP3050    | 24, 27                  |
| LA058       | DYNJP3050    | 24, 27                  |
| LA098       | DYNJP3070    | 24, 28                  |
| LC031       | DYNJP3103    | 24, 36                  |
| LC051       | DYNJP3101    | 24, 35                  |
| LC055       | DYNJP3100    | 24, 34                  |
| LD012       | DYNJP6000    | 56, 57                  |
| LD030       | DYNJP6010    | 56, 57, 59              |
| LD070       | DYNJP6020    | 56, 58                  |
| LG015       | DYNJP2460    | 14, 22, 51, 53, 61, 126 |
| LI088       | DYNJP3002    | 24, 30                  |
| LR015       | DYNJP9100    | 116, 121                |
| LR016       | DYNJP9100    | 116, 121                |
| LR028       | DYNJP9110    | 116, 121                |
| LR048       | DYNJP9120    | 116, 122, 123           |
| LR050       | DYNJP9103    | 116, 124                |
| LT025       | DYNJP9010    | 116, 117                |
| LT026       | DYNJP9010    | 116, 117                |
| LT045       | DYNJP9000    | 116, 117                |
| LT046       | DYNJP9000    | 116, 117                |
| LT050       | DYNJP9001    | 116, 119                |
| LT056       | DYNJP9020    | 116, 118                |
| LT076       | DYNJP9030    | 116, 118                |
| MC010A      | DYNJP2500    | 14, 22                  |
| MC020       | DYNJP2510    | 14, 22                  |
| OB070       | DYNJP6110    | 56, 64                  |
| OB075       | DYNJP6110    | 56, 64                  |
| OB080       | DYNJP6100    | 56, 64                  |
| OR018       | DYNJP8410    | 80, 108, 109            |
| OR019       | DYNJP8400    | 80, 108, 109, 110       |
| OR026       | DYNJP8000    | 80, 82, 83              |
| OR031       | DYNJP8040    | 80, 82                  |
| OR036       | DYNJP8110    | 80, 90, 91              |
| OR037       | DYNJP8110    | 80, 90, 91              |

| Maxxim Item | Medline Item | Page Number                |
|-------------|--------------|----------------------------|
| OR044       | DYNJP8220    | 80, 96, 98                 |
| OR046       | DYNJP8210    | 80, 96, 97                 |
| OR063       | DYNJP8100    | 80, 90, 91                 |
| OR067       | DYNJP8240    | 80, 96, 98                 |
| OR081       | DYNJP8320    | 80, 102, 104               |
| OR082       | DYNJP8300    | 80, 102, 103               |
| OR082       | DYNJP8320    | 80, 102, 104               |
| OR084       | DYNJP8310    | 80, 102, 103               |
| OR085       | DYNJP8100    | 80, 90, 91                 |
| OS016       | DYNJP7005    | 70, 76                     |
| OS018       | DYNJP7004    | 70, 76                     |
| PL016       | DYNJP3007    | 24, 31                     |
| PL026       | DYNJP3009    | 24, 32                     |
| PP010NS     | DYNJP2215    | 14, 22                     |
| PS010       | DYNJP2418    | 14                         |
| SP018       | DYNJP2498    | 20, 80, 102, 106, 108, 112 |
| SP031       | DYNJP8301    | 80, 102, 108               |
| SP058       | DYNJP7001    | 70, 73                     |
| SS010       | DYNJP2000    | 14, 22                     |
| TC010       | DYNJP2311    | 14, 22                     |
| TC016       | DYNJP2309    | 14, 22                     |
| TC020       | DYNJP2312    | 14, 22                     |
| TC021       | DYNJP2313    | 14, 22                     |
| TC023HD     | DYNJP2314    | 14, 22                     |
| TC025       | DYNJP2316    | 14, 22                     |
| TC030HD     | DYNJP2312    | 14, 22                     |
| TD020       | DYNJP4002    | 20, 40, 43, 105            |
| TF018A      | DYNJP3005    | 24, 31                     |
| TH016A      | DYNJP7002    | 70, 73                     |
| TH026       | DYNJP7003    | 70, 74                     |
| UB015       | DYNJP6001    | 56, 60, 126                |
| UP020       | DYNJP1050    | 14, 18                     |
| UP025       | DYNJP1055    | 14, 18                     |

## Allegiance Cross Reference Information

| Allegiance Item | Medline Item | Page Number |
|-----------------|--------------|-------------|
| 114             | DYNJP1040    | 14, 17      |
| 117             | DYNJP1045    | 14, 17      |
| 2474            | DYNJP2302    | 8, 11       |
| 2475            | DYNJP2302    | 8, 11       |
| 5550            | DYNJP2210    | 14, 22      |
| 7444            | DYNJP7004    | 70, 76      |
| 7445            | DYNJP7005    | 70, 76      |
| 7550            | DYNJP2220    | 14, 22      |
| 7553            | DYNJP2405    | 14, 22      |
| 8337            | DYNJP2500    | 14, 22      |
| 8339            | DYNJP2510    | 14, 22      |
| 8376            | DYNJP2309    | 14, 22      |
| 8377            | DYNJP2311    | 14, 22      |
| 8378            | DYNJP2316    | 14, 22      |
| 8379            | DYNJP2314    | 14, 22      |
| 8380            | DYNJP2312    | 14, 22      |



| Allegiance<br><u>Item</u> | Medline<br><u>Item</u> | Page<br><u>Number</u>    |
|---------------------------|------------------------|--------------------------|
| 8420                      | DYNJP2460              | 14, 22, 51, 53, 61, 126  |
| 8430                      | .....DYNJP2461         | .....14, 22, 53, 61, 126 |
| 8482                      | .....DYNJP6002         | .....56, 60              |
| 8483                      | .....DYNJP6001         | .....56, 60, 126         |
| 8484                      | .....DYNJP6002         | .....56, 60              |
| 8750                      | .....DYNJP2215         | .....14, 22              |
| 9010                      | .....DYNJP2201         | .....8, 10               |
| 9011                      | .....DYNJP2201         | .....8, 10               |
| 9015                      | .....DYNJP2301         | .....8, 11               |
| 9040                      | .....DYNJP2202         | .....8, 10               |
| 9041                      | .....DYNJP2202         | .....8, 10               |
| 9045                      | .....DYNJP2302         | .....8, 11               |
| 9070                      | .....DYNJP2203         | .....8, 10               |
| 9071                      | .....DYNJP2203         | .....8, 10               |
| 9075                      | .....DYNJP2303         | .....8, 11               |
| 9100                      | .....DYNJP1000         | .....14, 15              |
| 9101                      | .....DYNJP1020         | .....14, 15              |
| 9103                      | .....DYNJP1015         | .....14, 15              |
| 9106                      | .....DYNJP1050         | .....14, 18              |
| 9109                      | .....DYNJP1005         | .....14, 15              |
| 9111                      | .....DYNJP1036         | .....14, 16              |
| 9112                      | .....DYNJP1010         | .....14, 15              |
| 9113                      | .....DYNJP1025         | .....14, 16              |
| 9114                      | .....DYNJP1030         | .....14, 16              |
| 9120                      | .....DYNJP3100         | .....24, 34              |
| 9135                      | .....DYNJP3000         | .....24, 25              |
| 9135                      | .....DYNJP3003         | .....24, 30              |
| 9139                      | .....DYNJP3030         | .....24, 26              |
| 9150                      | .....DYNJP4000         | .....40, 41              |
| 9155                      | .....DYNJP4005         | .....40, 45              |
| 9156                      | .....DYNJP4004         | .....40, 44              |
| 9158                      | .....DYJNP4006         | .....40                  |
| 9174                      | .....DYNJP9020         | .....116, 118            |
| 9175                      | .....DYNJP9010         | .....116, 117            |
| 9183                      | .....DYNJP8400         | .....80, 108, 109, 110   |
| 9185                      | .....DYNJP8100         | .....80, 90, 91          |
| 9187                      | .....DYNJP8100         | .....80, 90, 91          |
| 9194                      | .....DYNJP7010         | .....70, 71, 72          |
| 9195                      | .....DYNJP7000         | .....70, 71              |
| 9349                      | .....DYNJP2414         | .....14, 22              |
| 9355                      | .....DYNJP2412         | .....14, 22              |
| 9358                      | .....DYNJP2410         | .....14, 22              |
| 9385                      | .....DYNJP2313         | .....14, 22              |
| 9413                      | .....DYNJP8101         | .....80, 90, 94          |
| 9414                      | .....DYNJP8101         | .....80, 90, 94          |
| 9428                      | .....DYNJP3102         | .....24, 35              |
| 9430                      | .....DYNJP3008         | .....24, 32              |
| 9444                      | .....DYNJP2419         | .....14, 22              |
| 9446                      | .....DYNJP2417         | .....14, 22              |
| 9448                      | .....DYNJP10001        | .....70, 78              |
| 9458                      | .....DYNJP3102         | .....24, 35              |
| 9511                      | .....DYNJP2101         | .....8, 9                |
| 9515                      | .....DYNJP2001         | .....8, 9                |
| 9541                      | .....DYNJP2102         | .....8, 9                |

| Allegiance<br><u>Item</u> | Medline<br><u>Item</u> | Page<br><u>Number</u>   |
|---------------------------|------------------------|-------------------------|
| 9545                      | .....DYNJP2002         | .....8, 9               |
| 9556                      | .....DYNJP7009         | .....70, 75             |
| 9571                      | .....DYNJP2103         | .....8, 9               |
| 9575                      | .....DYNJP2003         | .....8, 9               |
| 9777                      | .....DYNJP2493         | .....24, 38             |
| 19402                     | .....DYNJP9101         | .....116, 124           |
| 19442                     | .....DYNJP7001         | .....70, 73             |
| 23138                     | .....DYNJP3000         | .....24, 25             |
| 29107                     | .....DYNJP1055         | .....14, 18             |
| 29120                     | .....DYNJP3010         | .....24, 25             |
| 29121                     | .....DYNJP3070         | .....24, 28             |
| 29127                     | .....DYNJP3020         | .....24, 26             |
| 29130                     | .....DYNJP3050         | .....24, 27             |
| 29131                     | .....DYNJP1060         | .....14, 19             |
| 29136                     | .....DYNJP3010         | .....24, 25             |
| 29140                     | .....DYNJP3040         | .....24, 27             |
| 29142                     | .....DYNJP9100         | .....116, 121           |
| 29145                     | .....DYNJP9110         | .....116, 121           |
| 29153                     | .....DYNJP4010         | .....40, 41             |
| 29154                     | .....DYNJP4003         | .....40, 44             |
| 29158                     | .....DYNJP4020         | .....40, 42             |
| 29160                     | .....DYNJP8410         | .....80, 108, 109       |
| 29170                     | .....DYNJP9000         | .....116, 117           |
| 29176                     | .....DYNJP9030         | .....116, 118           |
| 29180                     | .....DYNJP8110         | .....80, 90, 91         |
| 29181                     | .....DYNJP8320         | .....80, 102, 104       |
| 29182                     | .....DYNJP8300         | .....80, 102, 103       |
| 29183                     | .....DYNJP8300         | .....80, 102, 103       |
| 29184                     | .....DYNJP8310         | .....80, 102, 103       |
| 29186                     | .....DYNJP8110         | .....80, 90, 91         |
| 29187                     | .....DYNJP8200         | .....80, 96, 97         |
| 29188                     | .....DYNJP8000         | .....80, 82, 83         |
| 29189                     | .....DYNJP8020         | .....80, 82, 84, 85     |
| 29350                     | .....DYNJP2416         | .....14, 22             |
| 29352                     | .....DYNJP4002         | .....20, 40, 43, 105    |
| 29360                     | .....DYNJP5010         | .....51                 |
| 29365                     | .....DYNJP8411         | .....80, 108, 109       |
| 29367                     | .....DYNJP8401         | .....80, 108, 109       |
| 29369                     | .....DYNJP8412         | .....80, 108, 111       |
| 29371                     | .....DYNJP5020         | .....50, 52             |
| 29380                     | .....DYNJP5000         | .....50                 |
| 29403                     | .....DYNJP9130         | .....116, 122           |
| 29405                     | .....DYNJP8003         | .....80, 82, 87         |
| 29406                     | .....DYNJP9130         | .....116, 122           |
| 29410                     | .....DYNJP3003         | .....24, 30             |
| 29414                     | .....DYNJP8002         | .....80, 82, 86, 90, 93 |
| 29415                     | .....DYNJP8002         | .....80, 82, 86, 90, 93 |
| 29416                     | .....DYNJP8004         | .....80, 82, 87         |
| 29419                     | .....DYNJP8005         | .....80, 82, 88         |
| 29420                     | .....DYNJP2491         | .....24, 37             |
| 29421                     | .....DYNJP3005         | .....24, 31             |
| 29422                     | .....DYNJP7002         | .....70, 73             |
| 29425                     | .....DYNJP3005         | .....24, 31             |
| 29429                     | .....DYNJP8201         | .....80, 96, 99         |
| 29430                     | .....DYNJP8202         | .....80, 96, 99         |

| Allegiance<br><u>Item</u> | Medline<br><u>Item</u> | Page<br><u>Number</u>           |
|---------------------------|------------------------|---------------------------------|
| 29433                     | .....DYJNP8301         | .....80, 102, 108               |
| 29436                     | .....DYNJP2498         | .....20, 80, 102, 106, 108, 112 |
| 29440                     | .....DYJNP8301         | .....80, 102, 108               |
| 29447                     | .....DYNJP6101         | .....56, 67                     |
| 29448                     | .....DYNJP6101         | .....56, 67                     |
| 29449                     | .....DYNJP6102         | .....56, 67                     |
| 29450                     | .....DYNJP9002         | .....116, 119                   |
| 29452                     | .....DYNJP6102         | .....56, 67                     |
| 29455                     | .....DYNJP9001         | .....116, 119                   |
| 29457                     | .....DYNJP4101         | .....40, 47                     |
| 29458                     | .....DYNJP4105         | .....40, 48                     |
| 29459                     | .....DYNJP4101         | .....40, 47                     |
| 29460                     | .....DYNJP4102         | .....40, 47                     |
| 29474                     | .....DYNJP9103         | .....116, 124                   |
| 29475                     | .....DYNJP9120         | .....116, 122, 123              |
| 29489                     | .....DYNJP4102         | .....40, 47                     |
| 29490                     | .....DYNJP3080         | .....24, 29                     |
| 29492                     | .....DYNJP3007         | .....24, 31                     |
| 29493                     | .....DYNJP3009         | .....24, 32                     |
| 29496                     | .....DYNJP2492         | .....24, 37                     |
| 29510                     | .....DYNJP3002         | .....24, 30                     |
| 29522                     | .....DYNJP7003         | .....70, 74                     |
| 29700                     | .....DYNJP6020         | .....56, 58                     |
| 29730                     | .....DYNJP6010         | .....56, 57, 59                 |
| 29760                     | .....DYNJP6000         | .....56, 57                     |
| 29780                     | .....DYNJP6100         | .....56, 64                     |
| 29781                     | .....DYNJP6110         | .....56, 64                     |
| 28000-200                 | .....DYNJP6120         | .....56, 65                     |
| 28200-600                 | .....DYNJP8120         | .....80, 90, 92                 |
| 59413                     | .....DYNJP8102         | .....80, 90, 94                 |
| 599T                      | .....DYNJP2000         | .....14, 22                     |

**Kimberly-Clark Cross Reference Information**

| K-C<br><u>Item</u> | Medline<br><u>Item</u> | Page<br><u>Number</u> |
|--------------------|------------------------|-----------------------|
| 66350              | .....DYJNP4006         | .....40               |
| 66886              | .....DYNJP3007         | .....24, 31           |
| 66887              | .....DYNJP3009         | .....24, 32           |
| 79720              | .....DYNJP2210         | .....14, 22           |
| 88088              | .....DYNJP9100         | .....116, 121         |
| 88108              | .....DYNJP8430         | .....80, 108, 111     |
| 88111              | .....DYNJP1040         | .....14, 17           |
| 88121              | .....DYNJP1045         | .....14, 17           |
| 88128              | .....DYNJP1045         | .....14, 17           |
| 88131              | .....DYNJP1010         | .....14, 15           |
| 88138              | .....DYNJP1005         | .....14, 15           |
| 88141              | .....DYNJP1000         | .....14, 15           |
| 88148              | .....DYNJP1000         | .....14, 15           |
| 88151              | .....DYNJP1025         | .....14, 16           |
| 88161              | .....DYNJP1015         | .....14, 15           |
| 88168              | .....DYNJP1015         | .....14, 15           |
| 88171              | .....DYNJP1020         | .....14, 15           |



| K-C<br>Item | Medline<br>Item | Page<br>Number         |
|-------------|-----------------|------------------------|
| 88222       | .....DYNJP9110  | .....116, 121          |
| 88224       | .....DYNJP9120  | .....116, 122, 123     |
| 88231       | .....DYNJP3000  | .....24, 25            |
| 88241       | .....DYNJP3040  | .....24, 27            |
| 88248       | .....DYNJP3030  | .....24, 26            |
| 88261       | .....DYNJP3060  | .....24, 28            |
| 88291       | .....DYNJP3070  | .....24, 28            |
| 88311       | .....DYNJP8300  | .....80, 102, 103      |
| 88321       | .....DYNJP8310  | .....80, 102, 103      |
| 88351       | .....DYNJP7001  | .....70, 73            |
| 88358       | .....DYNJP7001  | .....70, 73            |
| 88411       | .....DYNJP8320  | .....80, 102, 104      |
| 88412       | .....DYNJP8320  | .....80, 102, 104      |
| 88421       | .....DYNJP8020  | .....80, 82, 84, 85    |
| 88431       | .....DYNJP8020  | .....80, 82, 84, 85    |
| 88451       | .....DYNJP8210  | .....80, 96, 97        |
| 88452       | .....DYNJP8240  | .....80, 96, 98        |
| 88453       | .....DYNJP8210  | .....80, 96, 97        |
| 88461       | .....DYNJP8010  | .....80, 82, 83        |
| 88481       | .....DYNJP8100  | .....80, 90, 91        |
| 88488       | .....DYNJP8100  | .....80, 90, 91        |
| 88491       | .....DYNJP8410  | .....80, 108, 109      |
| 88492       | .....DYNJP8400  | .....80, 108, 109, 110 |
| 88511       | .....DYNJP9000  | .....116, 117          |
| 88521       | .....DYNJP9010  | .....116, 117          |
| 88531       | .....DYNJP9000  | .....116, 117          |
| 88541       | .....DYNJP9020  | .....116, 118          |
| 88551       | .....DYNJP9030  | .....116, 118          |
| 88593       | .....DYNJP3100  | .....24, 34            |
| 88611       | .....DYNJP5000  | .....50                |
| 88618       | .....DYNJP5000  | .....50                |
| 88621       | .....DYNJP5010  | .....51                |
| 88631       | .....DYNJP5020  | .....50, 52            |
| 88638       | .....DYNJP5020  | .....50, 52            |
| 88711       | .....DYNJP7010  | .....70, 71, 72        |
| 88716       | .....DYNJP7010  | .....70, 71, 72        |
| 88719       | .....DYNJP7010  | .....70, 71, 72        |
| 88726       | .....DYNJP6100  | .....56, 64            |
| 88727       | .....DYNJP6110  | .....56, 64            |
| 88728       | .....DYNJP6110  | .....56, 64            |
| 88729       | .....DYNJP6100  | .....56, 64            |
| 88731       | .....DYNJP4020  | .....40, 42            |
| 88741       | .....DYNJP4010  | .....40, 41            |
| 88761       | .....DYNJP1050  | .....14, 18            |
| 88766       | .....DYNJP1055  | .....14, 18            |
| 88831       | .....DYNJP6010  | .....56, 57, 59        |
| 88841       | .....DYNJP6020  | .....56, 58            |
| 89016       | .....DYNJP8003  | .....80, 82, 87        |
| 89062       | .....DYNJP10001 | .....70, 78            |
| 89066       | .....DYNJP8412  | .....80, 108, 111      |
| 89108       | .....DYNJP2410  | .....14, 22            |
| 89118       | .....DYNJP2412  | .....14, 22            |
| 89119       | .....DYNJP9101  | .....116, 124          |
| 89121       | .....DYNJP2414  | .....14, 22            |
| 89126       | .....DYNJP2414  | .....14, 22            |
| 89128       | .....DYNJP2414  | .....14, 22            |

| K-C<br>Item | Medline<br>Item | Page<br>Number                  |
|-------------|-----------------|---------------------------------|
| 89131       | .....DYNJP2419  | .....14, 22                     |
| 89138       | .....DYNJP2419  | .....14, 22                     |
| 89141       | .....DYNJP2416  | .....14, 22                     |
| 89203       | .....DYNJP9002  | .....116, 119                   |
| 89220       | .....DYNJP9130  | .....116, 122                   |
| 89221       | .....DYNJP3003  | .....24, 30                     |
| 89223       | .....DYNJP3102  | .....24, 35                     |
| 89224       | .....DYNJP9103  | .....116, 124                   |
| 89225       | .....DYNJP3102  | .....24, 35                     |
| 89226       | .....DYNJP2492  | .....24, 37                     |
| 89227       | .....DYNJP2491  | .....24, 37                     |
| 89228       | .....DYNJP3003  | .....24, 30                     |
| 89229       | .....DYNJP3101  | .....24, 35                     |
| 89234       | .....DYNJP3008  | .....24, 32                     |
| 89235       | .....DYNJP3008  | .....24, 32                     |
| 89241       | .....DYNJP3007  | .....24, 31                     |
| 89251       | .....DYNJP7002  | .....70, 73                     |
| 89255       | .....DYNJP7002  | .....70, 73                     |
| 89258       | .....DYNJP7003  | .....70, 74                     |
| 89265       | .....DYNJP8101  | .....80, 90, 94                 |
| 89267       | .....DYNJP8102  | .....80, 90, 94                 |
| 89271       | .....DYNJP8005  | .....80, 82, 88                 |
| 89272       | .....DYNJP8005  | .....80, 82, 88                 |
| 89274       | .....DYNJP8411  | .....80, 108, 109               |
| 89275       | .....DYNJP8301  | .....80, 102, 108               |
| 89276       | .....DYNJP8002  | .....80, 82, 86, 90, 93         |
| 89278       | .....DYNJP8003  | .....80, 82, 87                 |
| 89279       | .....DYNJP8002  | .....80, 82, 86, 90, 93         |
| 89281       | .....DYNJP3005  | .....24, 31                     |
| 89282       | .....DYNJP3002  | .....24, 30                     |
| 89291       | .....DYNJP8004  | .....80, 82, 87                 |
| 89301       | .....DYNJP2498  | .....20, 80, 102, 106, 108, 112 |
| 89321       | .....DYNJP2498  | .....20, 80, 102, 106, 108, 112 |
| 89345       | .....DYNJP8201  | .....80, 96, 99                 |
| 89346       | .....DYNJP8202  | .....80, 96, 99                 |
| 89347       | .....DYNJP8301  | .....80, 102, 108               |
| 89348       | .....DYNJP4002  | .....20, 40, 43, 105            |
| 89381       | .....DYNJP4002  | .....20, 40, 43, 105            |
| 89401       | .....DYNJP2460  | .....14, 22, 51, 53, 61, 126    |
| 89408       | .....DYNJP2460  | .....14, 22, 51, 53, 61, 126    |
| 89413       | .....DYNJP6001  | .....56, 60, 126                |
| 89414       | .....DYNJP6002  | .....56, 60                     |
| 89431       | .....DYNJP7008  | .....70, 75                     |
| 89438       | .....DYNJP7009  | .....70, 75                     |
| 89451       | .....DYNJP4003  | .....40, 44                     |
| 89452       | .....DYNJP4003  | .....40, 44                     |
| 89454       | .....DYNJP1050  | .....14, 18                     |
| 89461       | .....DYNJP4101  | .....40, 47                     |
| 89465       | .....DYNJP4004  | .....40, 44                     |
| 89466       | .....DYNJP4004  | .....40, 44                     |
| 89471       | .....DYNJP4105  | .....40, 48                     |
| 89492       | .....DYNJP8401  | .....80, 108, 109               |
| 89525       | .....DYNJP6101  | .....56, 67                     |
| 89526       | .....DYNJP6102  | .....56, 67                     |

| K-C<br>Item | Medline<br>Item | Page<br>Number      |
|-------------|-----------------|---------------------|
| 89528       | .....DYNJP6102  | .....56, 67         |
| 89529       | .....DYNJP6101  | .....56, 67         |
| 89601       | .....DYNJP2500  | .....14, 22         |
| 89602       | .....DYNJP2510  | .....14, 22         |
| 89611       | .....DYNJP2311  | .....14, 22         |
| 89618       | .....DYNJP2311  | .....14, 22         |
| 89621       | .....DYNJP2312  | .....14, 22         |
| 89621       | .....DYNJP2313  | .....14, 22         |
| 89631       | .....DYNJP2316  | .....14, 22         |
| 89641       | .....DYNJP2312  | .....14, 22         |
| 89641       | .....DYNJP2313  | .....14, 22         |
| 89701       | .....DYNJP2220  | .....14, 22         |
| 89704       | .....DYNJP4102  | .....40, 47         |
| 89705       | .....DYNJP4102  | .....40, 47         |
| 89731       | .....DYNJP2405  | .....14, 22         |
| 89791       | .....DYNJP2000  | .....14, 22         |
| 90012       | .....DYNJP2001  | .....8, 9           |
| 90042       | .....DYNJP2002  | .....8, 9           |
| 90112       | .....DYNJP2101  | .....8, 9           |
| 90142       | .....DYNJP2102  | .....8, 9           |
| 90318       | .....DYNJP2201  | .....8, 10          |
| 90348       | .....DYNJP2202  | .....8, 10          |
| 90641       | .....DYNJP8020  | .....80, 82, 84, 85 |
| 92039       | .....DYNJP2301  | .....8, 11          |
| 92043       | .....DYNJP2302  | .....8, 11          |
| 92046       | .....DYNJP2303  | .....8, 11          |
| 92049       | .....DYNJP2301  | .....8, 11          |
| 92052       | .....DYNJP2302  | .....8, 11          |
| 92056       | .....DYNJP2303  | .....8, 11          |
| 95101       | .....DYNJP2001  | .....8, 9           |
| 95111       | .....DYNJP2001  | .....8, 9           |
| 95121       | .....DYNJP2002  | .....8, 9           |
| 95131       | .....DYNJP2003  | .....8, 9           |
| 95201       | .....DYNJP2101  | .....8, 9           |
| 95211       | .....DYNJP2102  | .....8, 9           |
| 95311       | .....DYNJP2201  | .....8, 10          |
| 95321       | .....DYNJP2202  | .....8, 10          |
| 95331       | .....DYNJP2203  | .....8, 10          |
| 95511       | .....DYNJP2204  | .....8, 10          |
| 95521       | .....DYNJP2205  | .....8, 10          |
| 95531       | .....DYNJP2206  | .....8, 10          |

## Molnlycke Cross Reference Information

| Molnlycke<br>Item | Medline<br>Item | Page<br>Number  |
|-------------------|-----------------|-----------------|
| 0144              | .....DYNJP2510  | .....14, 22     |
| 0171              | .....DYNJP8140  | .....80, 90, 93 |
| 0172              | .....DYNJP8000  | .....80, 82, 83 |
| 0173              | .....DYNJP4020  | .....40, 42     |
| 0174              | .....DYNJP8130  | .....80, 90, 92 |
| 0175              | .....DYNJP7030  | .....70         |



Proxima Protection Products from Medline

All products are sterile and latex free unless otherwise indicated.



| Molnlycke<br>Item | Medline<br>Item | Page<br>Number          |
|-------------------|-----------------|-------------------------|
| 0176              | .....DYNJP8230  | .....80, 96, 98         |
| 0177              | .....DYNJP8420  | .....80, 108            |
| 0178              | .....DYNJP1060  | .....14, 19             |
| 0179              | .....DYNJP8330  | .....80, 102, 104       |
| 0182              | .....DYNJP1040  | .....14, 17             |
| 0202              | .....DYNJP8240  | .....80, 96, 98         |
| 0203              | .....DYNJP4002  | .....20, 40, 43, 105    |
| 0204              | .....DYNJP8201  | .....80, 96, 99         |
| 0210              | .....DYNJP4102  | .....40, 47             |
| 0211              | .....DYNJP4104  | .....40, 48             |
| 0213              | .....DYNJP2215  | .....14, 22             |
| 0214              | .....DYNJP7005  | .....70, 76             |
| 0215              | .....DYNJP4104  | .....40, 48             |
| 0225              | .....DYNJP2418  | .....14                 |
| 0229              | .....DYNJP6002  | .....56, 60             |
| 0230              | .....DYNJP6100  | .....56, 64             |
| 0231              | .....DYNJP6101  | .....56, 67             |
| 0233              | .....DYNJP6130  | .....56, 66             |
| 0238              | .....DYNJP6040  | .....56                 |
| 0239              | .....DYNJP6102  | .....56, 67             |
| 0243              | .....DYNJP3030  | .....24, 26             |
| 0244              | .....DYNJP3050  | .....24, 27             |
| 0245              | .....DYNJP2220  | .....14, 22             |
| 0248              | .....DYNJP3100  | .....24, 34             |
| 0249              | .....DYNJP3101  | .....24, 35             |
| 0252              | .....DYNJP9120  | .....116, 122, 123      |
| 0253              | .....DYNJP9103  | .....116, 124           |
| 0255              | .....DYNJP2461  | .....22                 |
| 0260              | .....DYNJP2311  | .....14, 22             |
| 0260              | .....DYNJP2316  | .....14, 22             |
| 0261              | .....DYNJP8005  | .....80, 82, 88         |
| 0262              | .....DYNJP8040  | .....80, 82             |
| 0263              | .....DYNJP8100  | .....80, 90, 91         |
| 0266              | .....DYNJP2314  | .....14, 22             |
| 0270              | .....DYNJP8002  | .....80, 82, 86, 90, 93 |
| 0278              | .....DYNJP8101  | .....80, 90, 94         |
| 0282              | .....DYNJP1040  | .....14, 17             |
| 0284              | .....DYNJP1035  | .....14, 16             |
| 0286              | .....DYNJP7003  | .....70, 74             |
| 0289              | .....DYNJP8020  | .....80, 82, 84, 85     |
| 0290              | .....DYNJP2312  | .....14, 22             |
| 0291              | .....DYNJP10001 | .....70, 78             |
| 0295              | .....DYNJP8110  | .....80, 90, 91         |
| 0296              | .....DYNJP8400  | .....80, 108, 109, 110  |
| 0297              | .....DYNJP3008  | .....24, 32             |
| 0373              | .....DYJNP4006  | .....40                 |
| 0376              | .....DYNJP4003  | .....40, 44             |
| 0540              | .....DYNJP2201  | .....8, 10              |
| 0541              | .....DYNJP2202  | .....8, 10              |
| 0544              | .....DYNJP2204  | .....8, 10              |
| 0545              | .....DYNJP2205  | .....8, 10              |
| 0546              | .....DYNJP2206  | .....8, 10              |
| 0551              | .....DYNJP2001  | .....8, 9               |
| 0553              | .....DYNJP2002  | .....8, 9               |
| 0554              | .....DYNJP2003  | .....8, 9               |
| 0570              | .....DYNJP2101  | .....8, 9               |

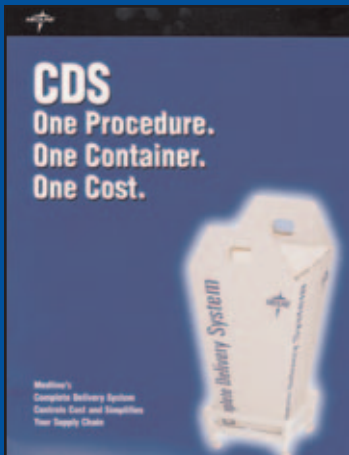
| Molnlycke<br>Item | Medline<br>Item | Page<br>Number               |
|-------------------|-----------------|------------------------------|
| 0572              | .....DYNJP2102  | .....8, 9                    |
| 0574              | .....DYNJP2103  | .....8, 9                    |
| 0575              | .....DYNJP2201  | .....8, 10                   |
| 0576              | .....DYNJP2202  | .....8, 10                   |
| 0579              | .....DYNJP2204  | .....8, 10                   |
| 0582              | .....DYNJP2205  | .....8, 10                   |
| 0583              | .....DYNJP2203  | .....8, 10                   |
| 0583              | .....DYNJP2206  | .....8, 10                   |
| 0695              | .....DYNJP3103  | .....24, 36                  |
| 1204              | .....DYNJP3009  | .....24, 32                  |
| 1204              | .....DYNJP2492  | .....24, 37                  |
| 1207              | .....DYNJP7001  | .....70, 73                  |
| 1208              | .....DYNJP9002  | .....116, 119                |
| 1209              | .....DYNJP2414  | .....14, 22                  |
| 1210              | .....DYNJP4101  | .....40, 47                  |
| 1212              | .....DYNJP4105  | .....40, 48                  |
| 1214              | .....DYNJP7004  | .....70, 76                  |
| 1215              | .....DYNJP2491  | .....24, 37                  |
| 1216              | .....DYNJP8410  | .....80, 108, 109            |
| 1217              | .....DYNJP7009  | .....70, 75                  |
| 1218              | .....DYNJP7020  | .....70, 72                  |
| 1219              | .....DYNJP7010  | .....70, 71, 72              |
| 1220              | .....DYNJP5000  | .....50                      |
| 1222              | .....DYNJP5010  | .....51                      |
| 1223              | .....DYNJP5020  | .....50, 52                  |
| 1224              | .....DYNJP9001  | .....116, 119                |
| 1225              | .....DYNJP2410  | .....14, 22                  |
| 1227              | .....DYNJP2412  | .....14, 22                  |
| 1228              | .....DYNJP2414  | .....14, 22                  |
| 1229              | .....DYNJP6001  | .....56, 60, 126             |
| 1235              | .....DYNJP6010  | .....56, 57, 59              |
| 1237              | .....DYNJP6110  | .....56, 64                  |
| 1238              | .....DYNJP6030  | .....56, 59                  |
| 1239              | .....DYNJP6110  | .....56, 64                  |
| 1240              | .....DYNJP3000  | .....24, 25                  |
| 1242              | .....DYNJP3070  | .....24, 28                  |
| 1244              | .....DYNJP2500  | .....14, 22                  |
| 1245              | .....DYNJP3060  | .....24, 28                  |
| 1246              | .....DYNJP3002  | .....24, 30                  |
| 1249              | .....DYNJP2405  | .....14, 22                  |
| 1250              | .....DYNJP9010  | .....116, 117                |
| 1251              | .....DYNJP9000  | .....116, 117                |
| 1253              | .....DYNJP9020  | .....116, 118                |
| 1255              | .....DYNJP2460  | .....14, 22, 51, 53, 61, 126 |
| 1257              | .....DYNJP9030  | .....116, 118                |
| 1258              | .....DYNJP9100  | .....116, 121                |
| 1259              | .....DYNJP9110  | .....116, 121                |
| 1260              | .....DYNJP8202  | .....80, 96, 99              |
| 1261              | .....DYNJP8002  | .....80, 82, 86, 90, 93      |
| 1262              | .....DYNJP8020  | .....80, 82, 84, 85          |
| 1263              | .....DYNJP8110  | .....80, 90, 91              |
| 1264              | .....DYNJP8300  | .....80, 102, 103            |
| 1265              | .....DYNJP8004  | .....80, 82, 87              |
| 1267              | .....DYNJP8210  | .....80, 96, 97              |
| 1268              | .....DYNJP1050  | .....14, 18                  |

| Molnlycke<br>Item | Medline<br>Item | Page<br>Number                  |
|-------------------|-----------------|---------------------------------|
| 1269              | .....DYNJP4010  | .....40, 41                     |
| 1271              | .....DYNJP8003  | .....80, 82, 87                 |
| 1272              | .....DYNJP2493  | .....24, 38                     |
| 1273              | .....DYNJP4020  | .....40, 42                     |
| 1274              | .....DYNJP4004  | .....40, 44                     |
| 1276              | .....DYNJP1015  | .....14, 15                     |
| 1278              | .....DYNJP4004  | .....40, 44                     |
| 1280              | .....DYNJP1000  | .....14, 15                     |
| 1282              | .....DYNJP3005  | .....24, 31                     |
| 1285              | .....DYNJP1015  | .....14, 15                     |
| 1287              | .....DYNJP1020  | .....14, 15                     |
| 1288              | .....DYNJP2419  | .....14, 22                     |
| 1289              | .....DYNJP2416  | .....14, 22                     |
| 1290              | .....DYNJP8320  | .....80, 102, 104               |
| 1291              | .....DYNJP8220  | .....80, 96, 98                 |
| 1292              | .....DYNJP7000  | .....70, 71                     |
| 1293              | .....DYNJP3003  | .....24, 30                     |
| 1294              | .....DYNJP3007  | .....24, 31                     |
| 1296              | .....DYNJP2313  | .....14, 22                     |
| 1298              | .....DYNJP2498  | .....20, 80, 102, 106, 108, 112 |
| 1298              | .....DYJNP8301  | .....80, 102, 108               |
| 9545              | .....DYNJP2210  | .....14, 22                     |





# No one understands the O.R. like Medline...



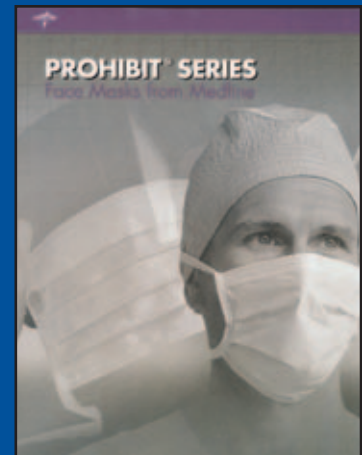
## Complete Delivery System

Simplify your supply chain by combining all procedural supplies into one container.



## Standard Procedure Trays

Based on the most commonly performed procedures, our Standard Procedure Trays combine quality and innovation with measurable cost savings.



## Prohibit Series Face Masks

Designed for excellence in three critical areas: bacterial filtration efficiency, breathability and fluid resistancy.



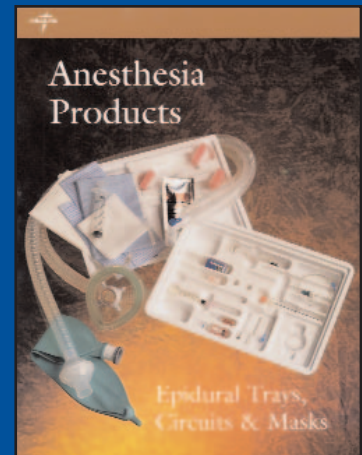
## Medline Surgical Gloves

Confidence. Expertise. Trust. What you expect from your O.R. staff is also what you get with your Medline surgical gloves.



## König Instrumentation

Precision, German surgical instrumentation. Featuring Tier One — over 2,000 instruments always in stock.



## Anesthesia Products

From epidural trays to circuits to masks, Medline carries a wide variety of anesthesia products to fit virtually any preference.



1-800-MEDLINE | [www.medline.com](http://www.medline.com)

© 2002 Medline Industries, Inc., Mundelein, IL 60060

Medline and Eclipse are registered trademarks of Medline Industries, Inc. Proxima and Prevention are trademarks of Medline Industries, Inc. Velcro is a registered trademark of Velcro Corporation. Microban is a registered trademark of Microban Products Company. Propore is a registered trademark of 3M Company.

MKT202109/Bin 178/10M