



## Wheelchair Parts Guide

# MEDLINE


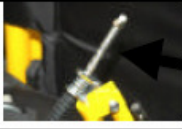
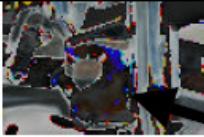
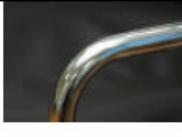

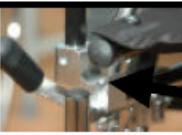


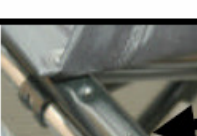


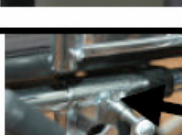

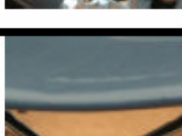


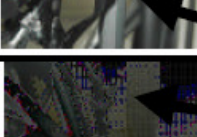


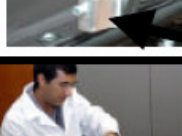

## WHEELCHAIR PARTS BROCHURE





# Wheelchair Parts Guide

We Build 'Em Better!

Competitors (Problems)		Medline (Solutions)	
	<b>Elevated leg rest supports wear and rust</b> , resulting in leg rests slipping out of position over time. (Worn competitive chair shown.)		<b>Notched, stainless steel ratchet bars</b> on elevated leg rests will never rust or fall down.
	<b>Thin coatings of chrome plating results in greater rusting</b> of frame and components over time. (Rusted competitive chair shown.)		<b>Double coating of chrome plating and powder coating</b> on frame and components gives maximum protection against rusting.
	<b>Plastic seat cradles and armlocks break easily</b> . (Broken competitive seat cradles shown.)		<b>Aluminum seat cradles and armlocks</b> stay strong and sturdy, resisting any breakage.
	<b>Cheap bronze welds do not hold up</b> well over time and under heavy loads. (Bent competitive armrest shown.)		<b>Tig welding</b> throughout the frame means our frames are stronger and will last longer; and provides <b>(300# capacity on most Medline chairs vs. 250# competitors)</b> .
	<b>Upholstery screws strip out</b> over time, since the screws are inserted into hollow frame tubes. (Stripped out competitive chair shown.)		<b>Brass threaded inserts</b> used to fasten down upholstery, ensure that no stripping occurs over time.
	<b>Wheel locks easily loosen up</b> over time, because the locks are mounted on slippery frame tubes. (Loose competitive lock shown.)		<b>Knurled tubing under wheel locks</b> ensures locks stay in position and do not loosen up.
	<b>Sagging and uncomfortable upholstery</b> results in less comfort for patient. (Sagging competitive upholstery shown.)		<b>Higher-density, thicker foam in upholstery with stronger seams and extra plastic layer bonded to vinyl</b> , results in greater comfort and less stretching over time.
	<b>Uncomfortable, hard-to-grip handles on wheel locks, legrests, and flip-back arms</b> . (Uncomfortable competitive lock handle shown.)		<b>Comfortable, easy-to-grip handles on wheel locks</b> are perfect for patients with limited dexterity.
	<b>Plastic arm locks break, and are hard to operate</b> . (Cheap plastic competitive parts shown.)		<b>Aluminum arm lock cradles and comfortable, flip-back levers</b> are easy to operate and long-lasting for patients with limited dexterity.
	<b>Inconsistent product quality</b> means you can't always rely on getting defect-free products. (Wrinkled arm pad on competitive chair shown.)		<b>Consistent product quality</b> , as a result of Medline's application of Six Sigma quality techniques.
<div data-bbox="188 1921 373 2011" style="border: 1px solid black; padding: 5px;"> <p><b>WARNING:</b> This chair contains latex, which may lead to allergic reactions</p> </div>	<b>Many chairs contain latex</b> , resulting in risks to both patients and caregivers.		<b>All chairs are latex-free</b> , and properly labeled so patients and caregivers are assured of no dangerous latex allergic reactions.



# Wheelchair Parts Guide

## Medline Excel Wheelchairs

*Designed to provide unsurpassed quality, dependability and longevity*

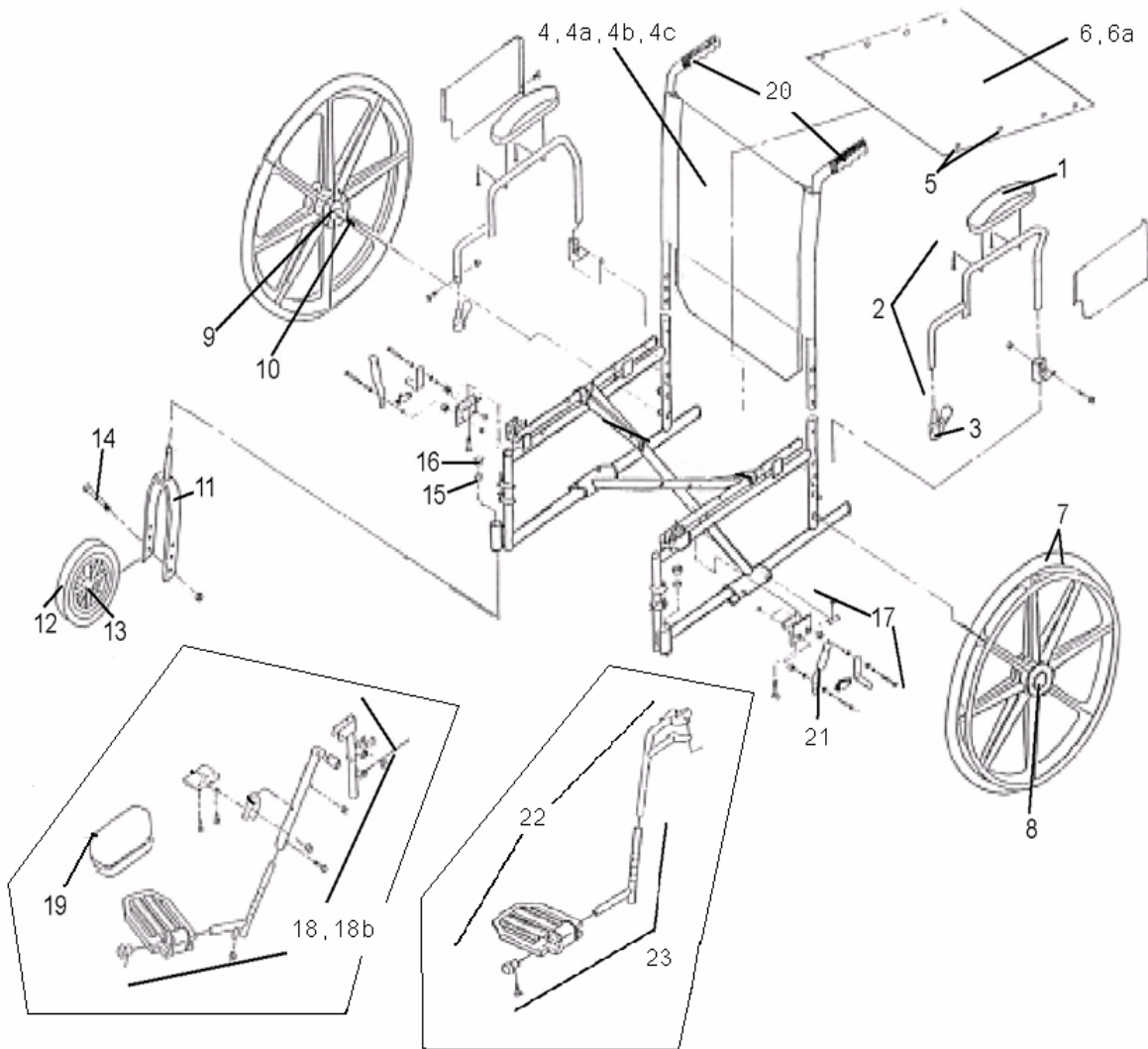
<b>Wheelchair Series</b>	<b>Page</b>
Kidz Pediatric	4
Excel 1000	6
Excel 2000	14
Excel 3000	26
Excel K3	30
Excel K4	34
Excel Recliner	38
Excel XW	40
Excel Shuttle	44
Steel Transport	46
Standard Aluminum Transport	48
Freedom Transport	50
Freedom Plus Transport	52
Deluxe Aluminum Transport	54

### **Medline Limited Warranty:**

Your Medline Product is warranted to be free of material defects in materials and workmanship for the lifetime of the Original Purchaser. This device was built to precise standards and carefully inspected prior to shipment. This Lifetime Limited Warranty is an expression of our confidence in the material and workmanship of our products and assures years of convenient, dependable service. This warranty does not extend to non-durable components such as handgrips, pushbuttons, leg riggings and any other wearable part which carry a one (1) year warranty. This express warranty extends only to the original purchaser only. In the event of a defect or failure covered by this warranty, contact us at 1-800-MEDLINE. Medline will, at its option, repair or replace your Medline product. This warranty does not extend to damage or failure occurring as a result of owner misuse or negligence, normal wear and tear, or other causes unrelated to the manufacture and design of the product. This express warranty is Medline's sole and exclusive warranty and your sole remedy in the event of default or failure. Medline is not responsible for any consequential or incidental damages or costs arising from use of the warranted products, or any defect therein or failure thereof. Medline disclaims all other warranties including but not limited to the implied warranties of merchantability and fitness for a particular purpose.



# Wheelchair Parts Guide



## Excel Kidz with Desk-Length Arms and Swing-Away Footrests Excel Kidz with Desk-Length Arms and Elevating Leg Rests

<b>MDS806120PED</b>	<b>12" Swing-back desk-length arms, swing-away footrests</b>
<b>MDS806120PEDE</b>	<b>12" Swing-back desk-length arms, elevating leg rests</b>
<b>MDS806140PED</b>	<b>14" Swing-back desk-length arms, swing-away footrests</b>
<b>MDS806140PEDE</b>	<b>14" Swing-back desk-length arms, elevating leg rests</b>



# Wheelchair Parts Guide

## EXCEL KIDZ WHEELCHAIR PARTS LIST

MDS806120PED, MDS806120PEDE / MDS806140PED MDS806140PEDE

Item #

		Item #
1	ARMREST PAD, DESK LENGTH, EACH	WCA806915P
2	ARMREST W/PAD ASSEMBLY, DESK LENGTH, SWING BACK	WCA806968P
3	ARMLOCK ASSEMBLY	WCA806903K4
4	UPHOLSTERY, BACK, FOR 12" CHAIR (YELLOW)	WCA808926P
4a	UPHOLSTERY, BACK, FOR 12" (BLACK)	WCA808926PB
4b	UPHOLSTERY, BACK, FOR 14" CHAIR (YELLOW)	WCA808926P1
4c	UPHOLSTERY, BACK, FOR 14" (BLACK)	WCA808926PB1
5	SCREW AND WASHERS FOR UPHOLSTERY	WCA806975P
6	UPHOLSTERY, SEAT, FOR 12" CHAIR	WCA808920P
6a	UPHOLSTERY, SEAT, FOR 14" CHAIR	WCA808920P1
7	REAR WHEEL ASSEMBLY W/BEARING AND HANDRIM, EACH	WCA806935PRP
8	REAR WHEEL HUBCAP, EACH	WCA806902P
9	REAR WHEEL BEARING	PENDING
10	REAR AXLE AND HARDWARE	WCA806951RP
11	FRONT FORK, COMPOSITE, EACH	WCA806931P
12	FRONT CASTER 6", W/BEARINGS, EACH	WCA806930PP
13	BEARINGS FOR FRONT CASTER	WCA806935PED
14	AXLE AND HARDWARE FOR FRONT CASTER, SET	WCA806933P
15	STEM BEARING FOR FRONT CASTER, PAIR	WCA806950PRP
16	DUST CAP, EACH	WCA806995P
17	WHEEL LOCK ASSEMBLY PAIR	WCA806990P
18	ELEVATING LEGREST, COMPOSITE FOOTPLATE, PAIR	WCA806985KIDZ
18b	ELEVATING LEGREST, COMPOSITE FOOTPLATE, BLACK, PAIR	WCA806985PB
19	CALF PAD, EACH	WCA806918P
20	HANDGRIPS, PAIR	WCA806909
21	WHEEL LOCK HANDLE, BLACK RUBBER TIP, EACH	WCA806907P
22	FOOTREST ASSEMBLY, COMPOSITE FOOTPLATE, YELLOW	WCA806965KIDZ
23	FOOTPLATE ASSEMBLY, COMPOSITE, PAIR	WCA806901P







# Wheelchair Parts Guide

## EXCEL 1000 WHEELCHAIR PARTS LIST

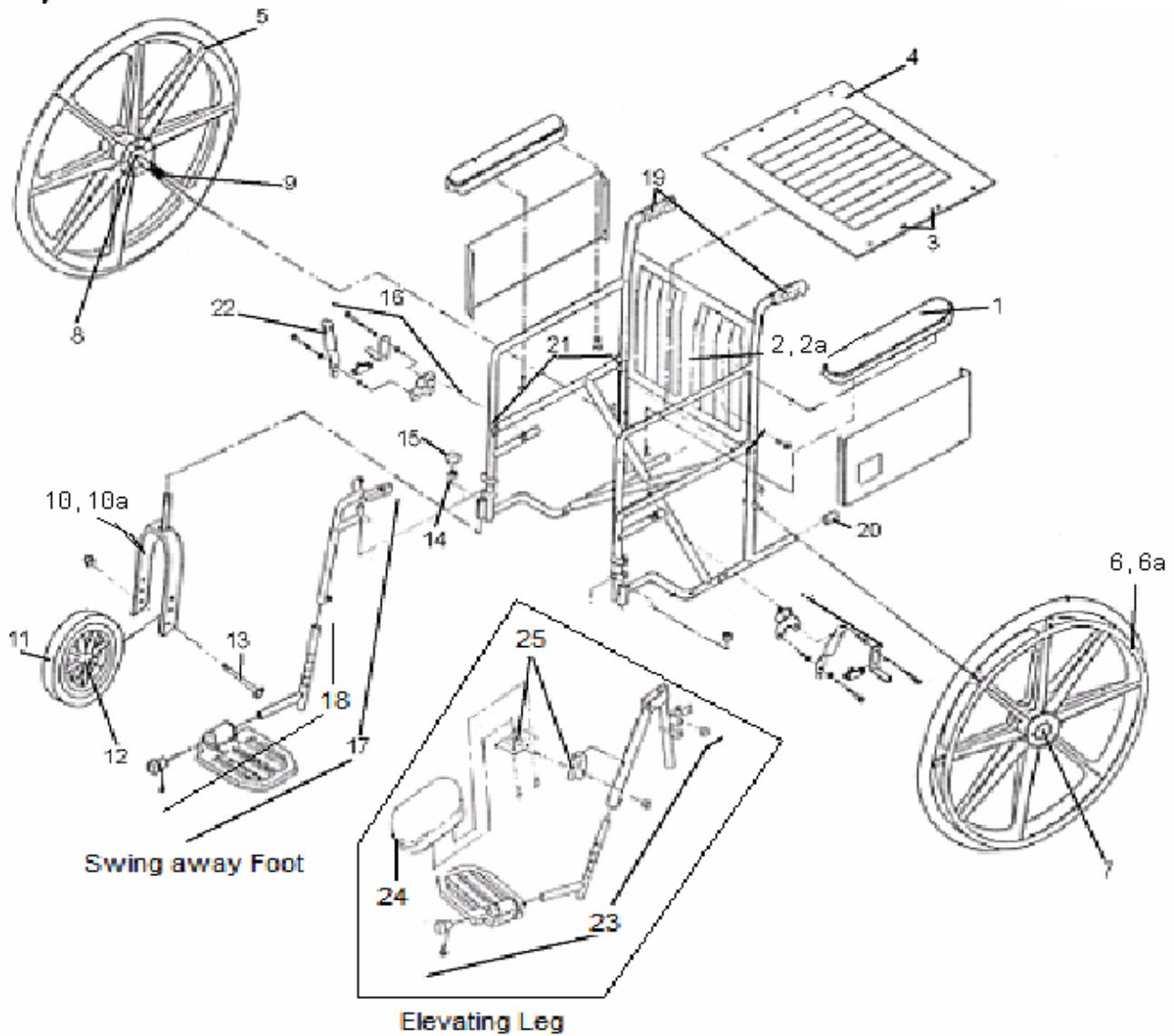
MDS806100NE / MDS806100E

Item #

		Item #
1	ARMREST PAD, FULL LENGTH, EACH	WCA806910
2	UPHOLSTERY, BACK, 18"X16", BLACK	WCA806925BLK
2a	UPHOLSTERY SET W/SCREWS, FOR NARROW CHAIR, 16" WIDE	WCA806920NS
3	SCREW AND WASHERS FOR SEAT & BACK UPHOLSTERY	WCA806975
4	UPHOLSTERY, SEAT, 18"X16", BLACK	WCA806920BLK
5	RUBBER REAR WHEEL W/BEARING, NO HANDRIM, EACH	WCA806945
6	HANDRIM W/SCREWS, CHROME, EACH	WCA806940
6a	HANDRIM W/SCREWS, COMPOSITE, EACH	WCA806940COMP
7	REAR WHEEL HUBCAP, EACH	WCA806902
8	REAR WHEEL BEARING, SET	WCA806955PR
9	AXLE FOR REAR WHEEL, PERMANENT ARMS, EACH	WCA806951R
10	FRONT FORK HEMI HEIGHT ADJUSTABLE, BLACK, EACH	WCA806931HHA
11	FRONT CASTER 8", W/BEARINGS, EACH	WCA806930
12	BEARINGS FOR FRONT CASTER, PAIR	WCA806935PR
13	AXLE & HARDWARE FOR FRONT CASTER, SET	WCA806933
14	STEM BEARING FOR FRONT CASTER, PAIR	WCA806950PR
15	DUST CAP, EACH	WCA806995
16	WHEEL LOCK ASSEMBLY PAIR (PULL TO LOCK)	WCA806990PK4
17	FOOTPLATE ASSEMBLY	WCA806901
18	HANDGRIPS, PAIR	WCA806909
19	TUBE END CAP FOR REAR FRAME, EACH	WCA806904
20	SEAT GUIDES SET FRONT & REAR, PERM ARM, SET	WCA806980
21	WHEEL LOCK HANDLE, BLACK RUBBER TIP, EACH (PULL TO LOCK)	WCA806907
22	CLOSE GUARD PANELS	WCA806PANEL



# Wheelchair Parts Guide



## Excel 1000 with Full-Length Arms and Swing-Away Footrests Excel 1000 with Full-Length Arms and Elevating Leg Rests

MDS806150NE	16" Permanent full-length arms, swing-away footrests
MDS806200NE	16" Permanent full-length arms, elevated leg rests
MDS806150E	18" Permanent full-length arms, swing-away footrests
MDS806200E	18" Permanent full-length arms, elevated leg rests





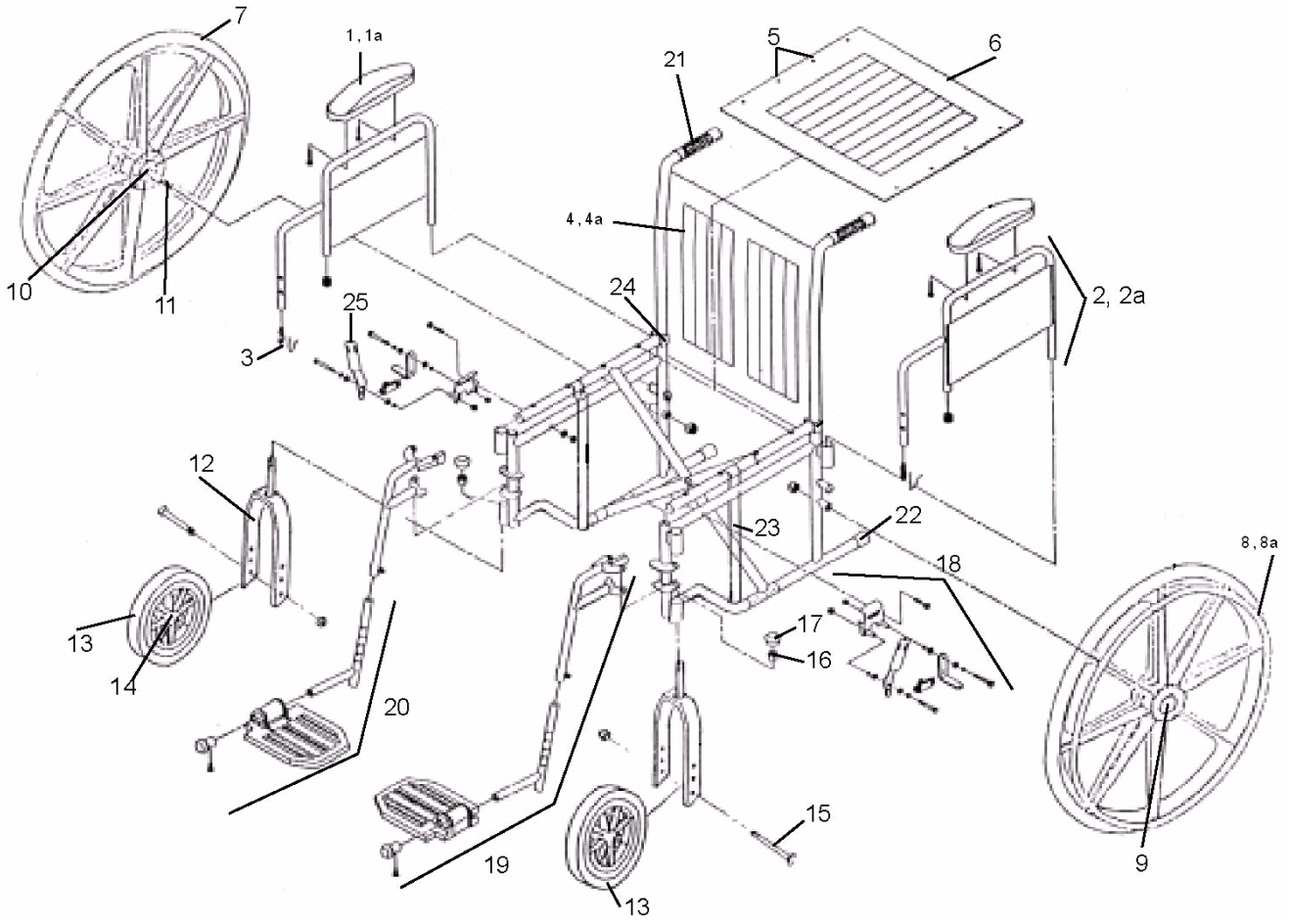
# Wheelchair Parts Guide

## EXCEL 1000 WHEELCHAIR PARTS LIST

MDS806150NE / MDS806150E MDS806200NE / MDS806200E		Item #
1	ARMREST PAD, FULL LENGTH, EACH	WCA806910
2	UPHOLSTERY, BACK, 18"X16", BLACK	WCA806925BLK
2a	UPHOLSTERY SET W/SCREWS, FOR NARROW CHAIR, 16" WIDE	WCA806920NS
3	SCREW AND WASHERS FOR SEAT & BACK UPHOLSTERY	WCA806975
4	UPHOLSTERY, SEAT, 18"X16", BLACK	WCA806920BLK
5	RUBBER REAR WHEEL W/BEARING, NO HANDRIM, EACH	WCA806945
6	HANDRIM W/SCREWS, CHROME, EACH	WCA806940
6a	HANDRIM W/SCREWS, COMPOSITE, EACH	WCA806940COMP
7	REAR WHEEL HUBCAP, EACH	WCA806902
8	REAR WHEEL BEARING, SET	WCA806955PR
9	AXLE FOR REAR WHEEL, PERMANENT ARMS, EACH	WCA806951R
10	FRONT FORK, STANDARD HEIGHT, CHROME, EACH	WCA806931
10a	FRONT FORK HEMI HEIGHT ADJUSTABLE, BLACK, EACH	WCA806931HHA
11	FRONT CASTER 8", W/BEARINGS, EACH	WCA806930
12	BEARINGS FOR FRONT CASTER, PAIR	WCA806935PR
13	AXLE & HARDWARE FOR FRONT CASTER, SET	WCA806933
14	STEM BEARING FOR FRONT CASTER, PAIR	WCA806950PR
15	DUST CAP, EACH	WCA806995
16	WHEEL LOCK ASSEMBLY PAIR	WCA806990PK4
17	FOOTREST ASSEMBLY, BLACK, PAIR	WCA806965E
18	FOOTPLATE ASSEMBLY, BLACK, PAIR	WCA806901E
19	HANDGRIPS, PAIR	WCA806909
20	TUBE END CAP FOR REAR FRAME, EACH	WCA806904
21	SEAT GUIDES SET FRONT & REAR, PERM ARM, SET	WCA806980
22	WHEEL LOCK HANDLE, BLACK RUBBER TIP, EACH (PULL TO LOCK)	WCA806907
23	ELEVATING LEGREST, BLACK, NO PAD, PAIR	WCA806985E
24	CALF PAD, EACH	WCA806918
25	BRACKET AND PLATFORM FOR CALF PAD, SET	WCA806919



# Wheelchair Parts Guide



## Excel 1000 with Desk-Length Arms and Swing-Away Footrests

MDS806250NE	16" Removable desk-length arms, swing-away footrests
MDS806250E	18" Removable desk-length arms, swing-away footrests



# Wheelchair Parts Guide

## EXCEL 1000 WHEELCHAIR PARTS LIST

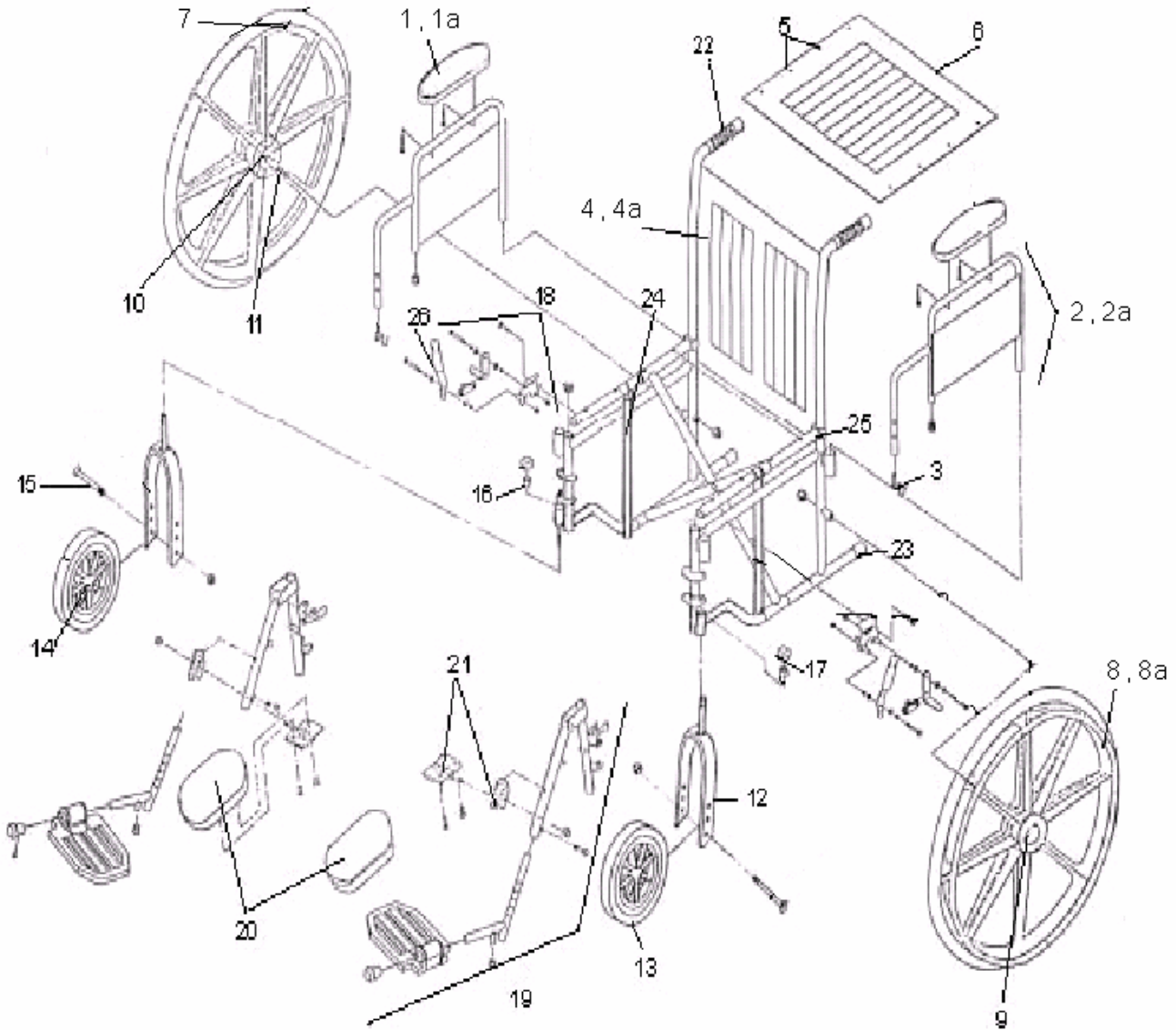
### MDS806250NE / MDS806250E

### Item #

		Item #
1	ARMREST PAD, DESK LENGTH, EACH	WCA806915
1a	ARMREST PAD, FULL LENGTH, EACH	WCA806910
2	ARMREST ASSEMBLY, DESK LENGTH, REMOVABLE, PAIR	WCA806960
2a	ARMREST ASSEMBLY, FULL LENGTH, REMOVABLE, PAIR	WCA806961
3	ARMLOCK PIN FOR REMOVABLE ARMS, EACH	WCA806903
4	UPHOLSTERY, BACK, 18"X16", BLACK	WCA806925BLK
4a	UPHOLSTERY SET W/SCREWS, FOR NARROW CHAIR, 16" WIDE	WCA806920NS
5	SCREW AND WASHERS FOR SEAT & BACK UPHOLSTERY	WCA806975
6	UPHOLSTERY, SEAT, 18"X16", BLACK	WCA806920BLK
7	RUBBER REAR WHEEL W/BEARING, NO HANDRIM, EACH	WCA806945
8	HANDRIM W/SCREWS, CHROME, EACH	WCA806940
8a	HANDRIM W/SCREWS, COMPOSITE, EACH	WCA806940COMP
9	REAR WHEEL HUBCAP, EACH	WCA806902
10	REAR WHEEL BEARING, SET	WCA806955PR
11	AXLE FOR REAR WHEEL, REMOVABLE ARMS, EACH	WCA806951R
12	FRONT FORK HEMI HEIGHT ADJUSTABLE, BLACK, EACH	WCA806931HHA
13	FRONT CASTER 8", W/BEARINGS, EACH	WCA806930
14	BEARINGS FOR FRONT CASTER, PAIR	WCA806935PR
15	AXLE & HARDWARE FOR FRONT CASTER, SET	WCA806933
16	STEM BEARING FOR FRONT CASTER, PAIR	WCA806950PR
17	DUST CAP, EACH	WCA806995
18	WHEEL LOCK ASSEMBLY PAIR (PULL TO LOCK)	WCA806990R
19	FOOTREST ASSEMBLY, BLACK, PAIR	WCA806965E
20	FOOTPLATE ASSEMBLY, PAIR	WCA806901E
21	HANDGRIPS, PAIR	WCA806909
22	TUBE END CAP FOR REAR FRAME, EACH	WCA806904
23	SLIDE TUBE, EACH	WCA806996
24	SEAT GUIDES SET FRONT & REAR, REMOVABLE ARM, SET	WCA806981
25	WHEEL LOCK HANDLE, BLACK RUBBER TIP, EACH (PULL TO LOCK)	WCA806907



# Wheelchair Parts Guide



## Excel 1000 with Desk-Length Arms and Elevating Legrests

MDS806300NE	16" Removable desk-length arms, elevating leg rests
MDS806300E	18" Removable desk-length arms, elevating leg rests



# Wheelchair Parts Guide

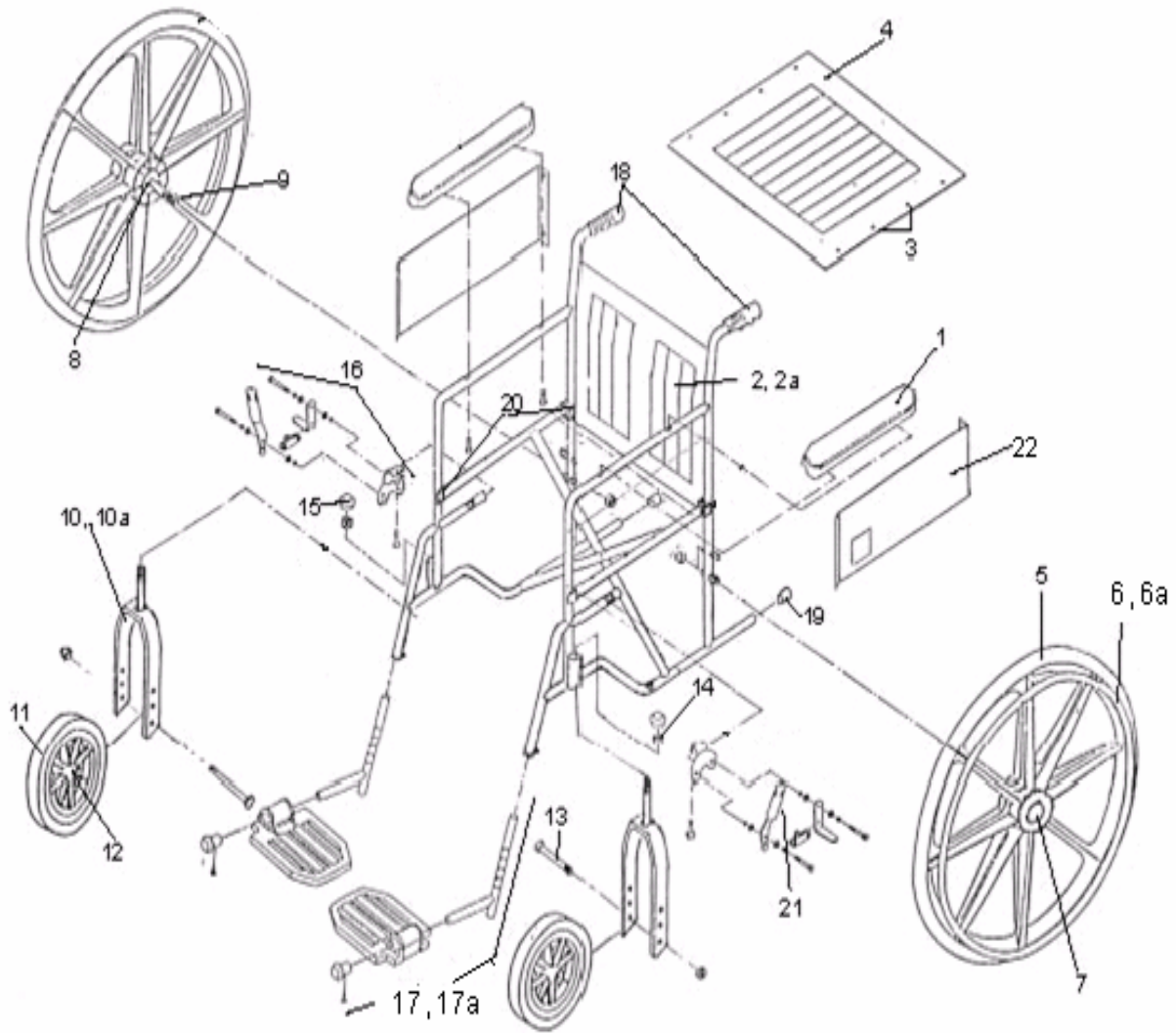
## EXCEL 1000 WHEELCHAIR PARTS LIST

<b>MDS806300NE / MDS806300E</b>		<b>Item #</b>
1	ARMREST PAD, DESK LENGTH, EACH	WCA806915
1a	ARMREST PAD, FULL LENGTH, EACH	WCA806910
2	ARMREST ASSEMBLY, DESK LENGTH, REMOVABLE, PAIR	WCA806960
2a	ARMREST ASSEMBLY, FULL LENGTH, REMOVABLE, PAIR	WCA806961
3	ARMLOCK PIN FOR REMOVABLE ARMS, EACH	WCA806903
4	UPHOLSTERY, BACK, 18"X16", BLACK	WCA806925BLK
4a	UPHOLSTERY SET W/SCREWS, FOR NARROW CHAIR, 16" WIDE	WCA806920NS
5	SCREW AND WASHERS FOR SEAT & BACK UPHOLSTERY	WCA806975
6	UPHOLSTERY, SEAT, 18"X16", BLACK	WCA806920BLK
7	RUBBER REAR WHEEL W/BEARING, NO HANDRIM, EACH	WCA806945
8	HANDRIM W/SCREWS, CHROME, EACH	WCA806940
8a	HANDRIM W/SCREWS, COMPOSITE, EACH	WCA806940COMP
9	REAR WHEEL HUBCAP, EACH	WCA806902
10	REAR WHEEL BEARING, SET	WCA806955PR
11	AXLE FOR REAR WHEEL, REMOVABLE ARMS, EACH	WCA806951R
12	FRONT FORK HEMI HEIGHT ADJUSTABLE, BLACK, EACH	WCA806931HHA
13	FRONT CASTER 8", W/BEARINGS, EACH	WCA806930
14	BEARINGS FOR FRONT CASTER, PAIR	WCA806935PR
15	AXLE & HARDWARE FOR FRONT CASTER, SET	WCA806933
16	STEM BEARING FOR FRONT CASTER, PAIR	WCA806950PR
17	DUST CAP, EACH	WCA806995
18	WHEEL LOCK ASSEMBLY PAIR (PULL TO LOCK)	WCA806990R
19	ELEVATING LEGREST, BLACK, PAIR	WCA806985E
20	CALF PAD, EACH	WCA806918BLK
21	BRACKET AND PLATFORM FOR CALF PAD, SET	WCA806919
22	HANDGRIPS, PAIR	WCA806909
23	TUBE END CAP FOR REAR FRAME, EACH	WCA806904
24	SLIDE TUBE, EACH	WCA806996
25	SEAT GUIDES SET FRONT & REAR, REMOVABLE ARM, SET	WCA806981
26	WHEEL LOCK HANDLE, BLACK RUBBER TIP, EACH (PULL TO LOCK)	WCA806907





# Wheelchair Parts Guide



## Excel 2000 with Full-Length Arms and Fixed Footrests

MDS806100	18" Permanent full-length arms, fixed footrests
MDS806100D	18" Permanent full-length arms, fixed footrests, Dealer



# Wheelchair Parts Guide

## EXCEL 2000 WHEELCHAIR PARTS LIST

### MDS806100 / MDS806100D

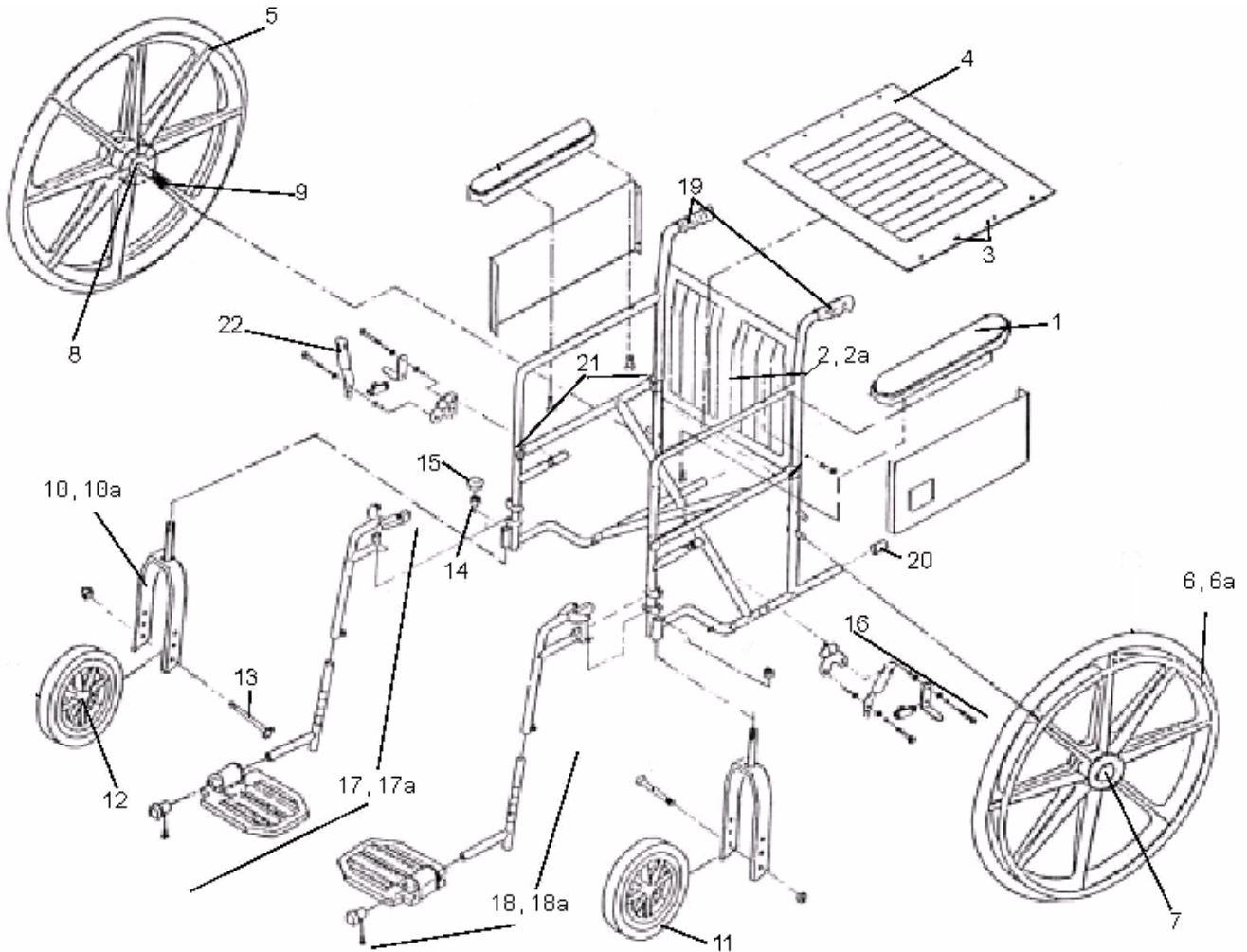
### Item #

		Item #
1	ARMREST PAD, FULL LENGTH, EACH	WCA806910***
2	UPHOLSTERY, BACK, 18"X16", BLACK	WCA806925BLK
2a	UPHOLSTERY SET W/SCREWS, FOR NARROW CHAIR, 16" WIDE	WCA806920NS
3	SCREW AND WASHERS FOR SEAT & BACK UPHOLSTERY	WCA806975
4	UPHOLSTERY, SEAT, 18"X16", BLACK	WCA806920BLK
5	RUBBER REAR WHEEL W/BEARING, NO HANDRIM, EACH	WCA806945
6	HANDRIM W/SCREWS, CHROME, EACH	WCA806940
6a	HANDRIM W/SCREWS, COMPOSITE, EACH	WCA806940COMP
7	REAR WHEEL HUBCAP, EACH	WCA806902
8	REAR WHEEL BEARING, SET	WCA806955PR
9	AXLE FOR REAR WHEEL, PERMANENT ARMS, EACH	WCA806951R
10	FRONT FORK, STANDARD HEIGHT, CHROME, EACH	WCA806931
10a	FRONT FORK HEMI HEIGHT ADJUSTABLE, BLACK, EACH	WCA806931HHA
11	FRONT CASTER 8", W/BEARINGS, EACH	WCA806930
12	BEARINGS FOR FRONT CASTER, PAIR	WCA806935PR
13	AXLE & HARDWARE FOR FRONT CASTER, SET	WCA806933
14	STEM BEARING FOR FRONT CASTER, PAIR	WCA806950PR
15	DUST CAP, EACH	WCA806995
16	WHEEL LOCK ASSEMBLY PAIR (PULL TO LOCK)	WCA806990PK4
17	FOOTPLATE ASSEMBLY, ALUMINUM, PAIR	WCA806900
17a	FOOTPLATE ASSEMBLY, COMPOSITE, PAIR	WCA806901
18	HANDGRIPS, PAIR	WCA806909
19	TUBE END CAP FOR REAR FRAME, EACH	WCA806904
20	SEAT GUIDES SET FRONT & REAR, PERM ARM, SET	WCA806980
21	WHEEL LOCK HANDLE, BLACK RUBBER TIP, EACH (PULL TO LOCK)	WCA806907
22	CLOSE GUARD PANELS	WCA806PANEL

\*\*\* BLK=BLACK, NVY=NAVY, RBY=RUBY, SLG=SILVER GRAY, DOE=DOEVAN BLUE



# Wheelchair Parts Guide



## Excel 2000 with Full-Length Arms and Swing-Away Footrests

<b>MDS806150</b>	<b>18" Permanent full-length arms, swing-away footrests</b>
<b>MDS806150N</b>	<b>16" Permanent full-length arms, swing-away footrests, Narrow</b>
<b>MDS806150D</b>	<b>18" Permanent full-length arms, swing-away footrests, Dealer</b>



# Wheelchair Parts Guide

## EXCEL 2000 WHEELCHAIR PARTS LIST

MDS806150 / MDS806150N / MDS806150D

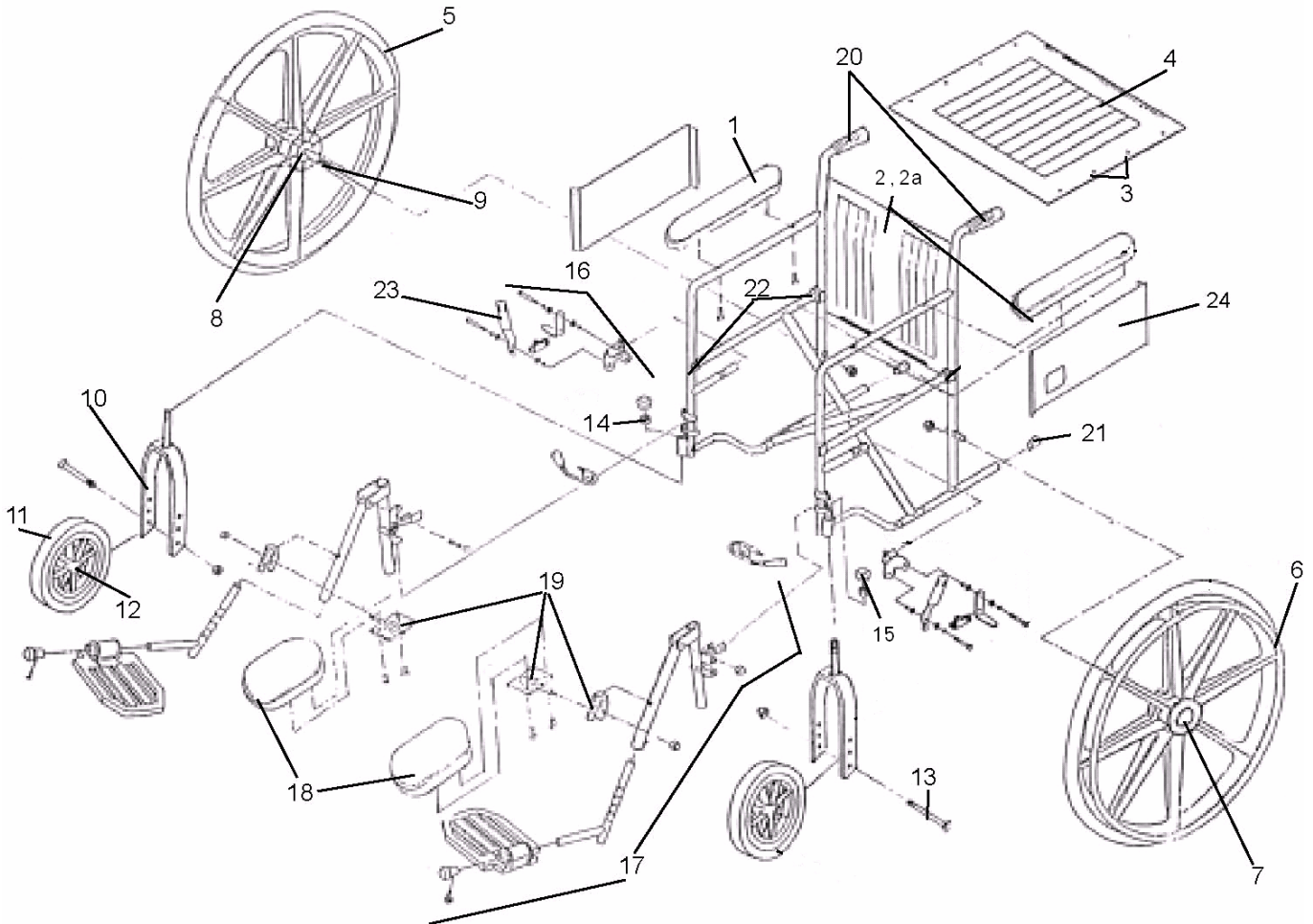
Item #

		Item #
1	ARMREST PAD, FULL LENGTH, EACH	WCA806910***
2	UPHOLSTERY, BACK, 18"X16", BLACK	WCA806925BLK
2a	UPHOLSTERY SET W/SCREWS, FOR NARROW CHAIR, 16" WIDE	WCA806920NS
3	SCREW AND WASHERS FOR SEAT & BACK UPHOLSTERY	WCA806975
4	UPHOLSTERY, SEAT, 18"X16", BLACK	WCA806920BLK
5	RUBBER REAR WHEEL W/BEARING, NO HANDRIM, EACH	WCA806945
6	HANDRIM W/SCREWS, CHROME, EACH	WCA806940
6a	HANDRIM W/SCREWS, COMPOSITE, EACH	WCA806940COMP
7	REAR WHEEL HUBCAP, EACH	WCA806902
8	REAR WHEEL BEARING, SET	WCA806955PR
9	AXLE FOR REAR WHEEL, PERMANENT ARMS, EACH	WCA806951R
10	FRONT FORK, STANDARD HEIGHT, CHROME, EACH	WCA806931
10a	FRONT FORK HEMI HEIGHT ADJUSTABLE, BLACK, EACH	WCA806931HHA
11	FRONT CASTER 8", W/BEARINGS, EACH	WCA806930
12	BEARINGS FOR FRONT CASTER, PAIR	WCA806935PR
13	AXLE & HARDWARE FOR FRONT CASTER, SET	WCA806933
14	STEM BEARING FOR FRONT CASTER, PAIR	WCA806950PR
15	DUST CAP, EACH	WCA806995
16	WHEEL LOCK ASSEMBLY PAIR	WCA806990PK4
17	FOOTREST ASSEMBLY, ALUMINUM FOOTPLATE, HEMI, PAIR	WCA806965HEMI
17a	FOOTREST ASSEMBLY, COMPOSITE FOOTPLATE, HEMI, PAIR	WCA806965HCMP
18	FOOTPLATE ASSEMBLY, ALUMINUM, PAIR	WCA806900
18a	FOOTPLATE ASSEMBLY, COMPOSITE, PAIR	WCA806901
19	HANDGRIPS, PAIR	WCA806909
20	TUBE END CAP FOR REAR FRAME, EACH	WCA806904
21	SEAT GUIDES SET FRONT & REAR, PERM ARM, SET	WCA806980
22	WHEEL LOCK HANDLE, BLACK RUBBER TIP, EACH (PULL TO LOCK)	WCA806907

\*\*\* BLK=BLACK, NVY=NAVY, RBY=RUBY, SLG=SILVER GRAY, DOE=DOEVAN BLUE



# Wheelchair Parts Guide



## Excel 2000 with Full-Length Arms and Elevated Legrests

MDS806200	18" Permanent full-length arms, elevated leg rests
MDS806200N	16" Permanent full-length arms, elevated leg rests, narrow
MDS806200D	18" Permanent full-length arms, elevated leg rests, Dealer





# Wheelchair Parts Guide

## EXCEL 2000 WHEELCHAIR PARTS LIST

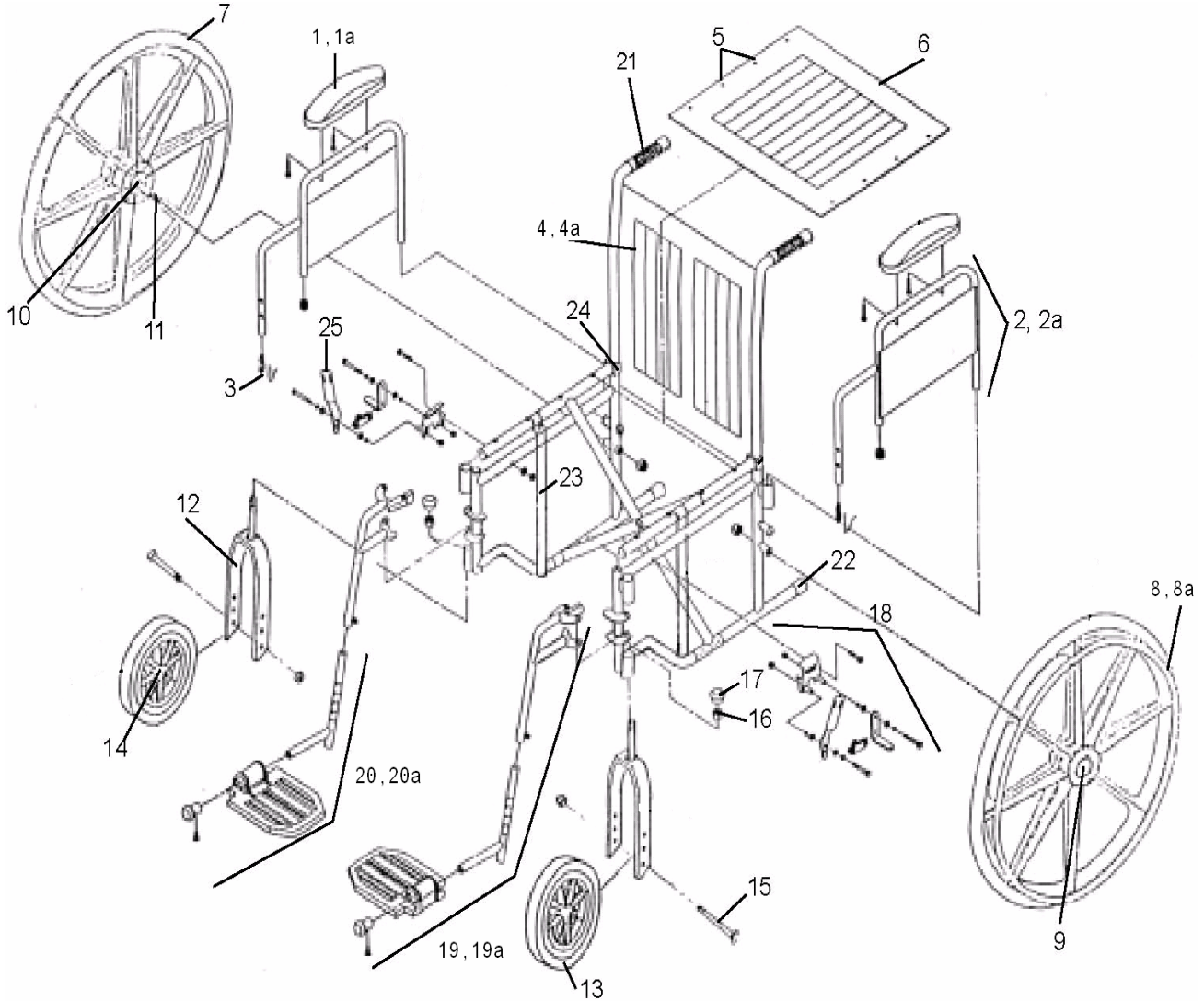
### MDS806200 / MDS806200N / MDS806200D

1	ARMREST PAD, FULL LENGTH, EACH	WCA806910***
2	UPHOLSTERY, BACK, 18"X16", BLACK	WCA806925BLK
2a	UPHOLSTERY SET W/SCREWS, FOR NARROW CHAIR, 16" WIDE	WCA806920NS
3	SCREW AND WASHERS FOR SEAT & BACK UPHOLSTERY	WCA806975
4	UPHOLSTERY, SEAT, 18"X16", BLACK	WCA806920BLK
5	RUBBER REAR WHEEL W/BEARING, NO HANDRIM, EACH	WCA806945
6	HANDRIM W/SCREWS, COMPOSITE, EACH	WCA806940COMP
7	REAR WHEEL HUBCAP, EACH	WCA806902
8	REAR WHEEL BEARING, SET	WCA806955PR
9	AXLE FOR REAR WHEEL, PERMANENT ARMS, EACH	WCA806951R
10	FRONT FORK HEMI HEIGHT ADJUSTABLE, BLACK, EACH	WCA806931HHA
11	FRONT CASTER 8", W/BEARINGS, EACH	WCA806930
12	BEARINGS FOR FRONT CASTER, PAIR	WCA806935PR
13	AXLE & HARDWARE FOR FRONT CASTER, SET	WCA806933
14	STEM BEARING FOR FRONT CASTER, PAIR	WCA806950PR
15	DUST CAP, EACH	WCA806995
16	WHEEL LOCK ASSEMBLY PAIR (PULL TO LOCK)	WCA806990PK4
17	ELEVATING LEGREST, COMP. FOOTPLATE, HEMI, W/CALF PAD, PAIR	WCA806985HCMP
18	CALF PAD, EACH	WCA806918***
19	BRACKET AND PLATFORM FOR CALF PAD, SET	WCA806919
20	HANDGRIPS, PAIR	WCA806909
21	TUBE END CAP FOR REAR FRAME, EACH	WCA806904
22	SEAT GUIDES SET FRONT & REAR, PERM ARM, SET OF 4	WCA806980
23	WHEEL LOCK HANDLE, BLACK RUBBER TIP, EACH (PULL TO LOCK)	WCA806907
24	CLOSE GUARD PANELS, EACH	WCA806PANEL

\*\*\* BLK=BLACK, NVY=NAVY, RBY=RUBY, SLG=SILVER GRAY, DOE=DOEVAN BLUE



# Wheelchair Parts Guide



## Excel 2000 with Desk-Length Arms and Swing-Away Footrests

<b>MDS806250</b>	<b>18" Removable desk-length arms, swing-away footrests</b>
<b>MDS806250N</b>	<b>16" Removable desk-length arms, swing-away footrests</b>
<b>MDS806250D</b>	<b>18" Removable desk-length arms, swing-away footrests</b>
<b>MDS806250FLA</b>	<b>18" Removable full-length arms, swing-away footrests</b>



# Wheelchair Parts Guide

## EXCEL 2000 WHEELCHAIR PARTS LIST

MDS806250 / MDS806250N / MDS806250D / MDS806250DFLA

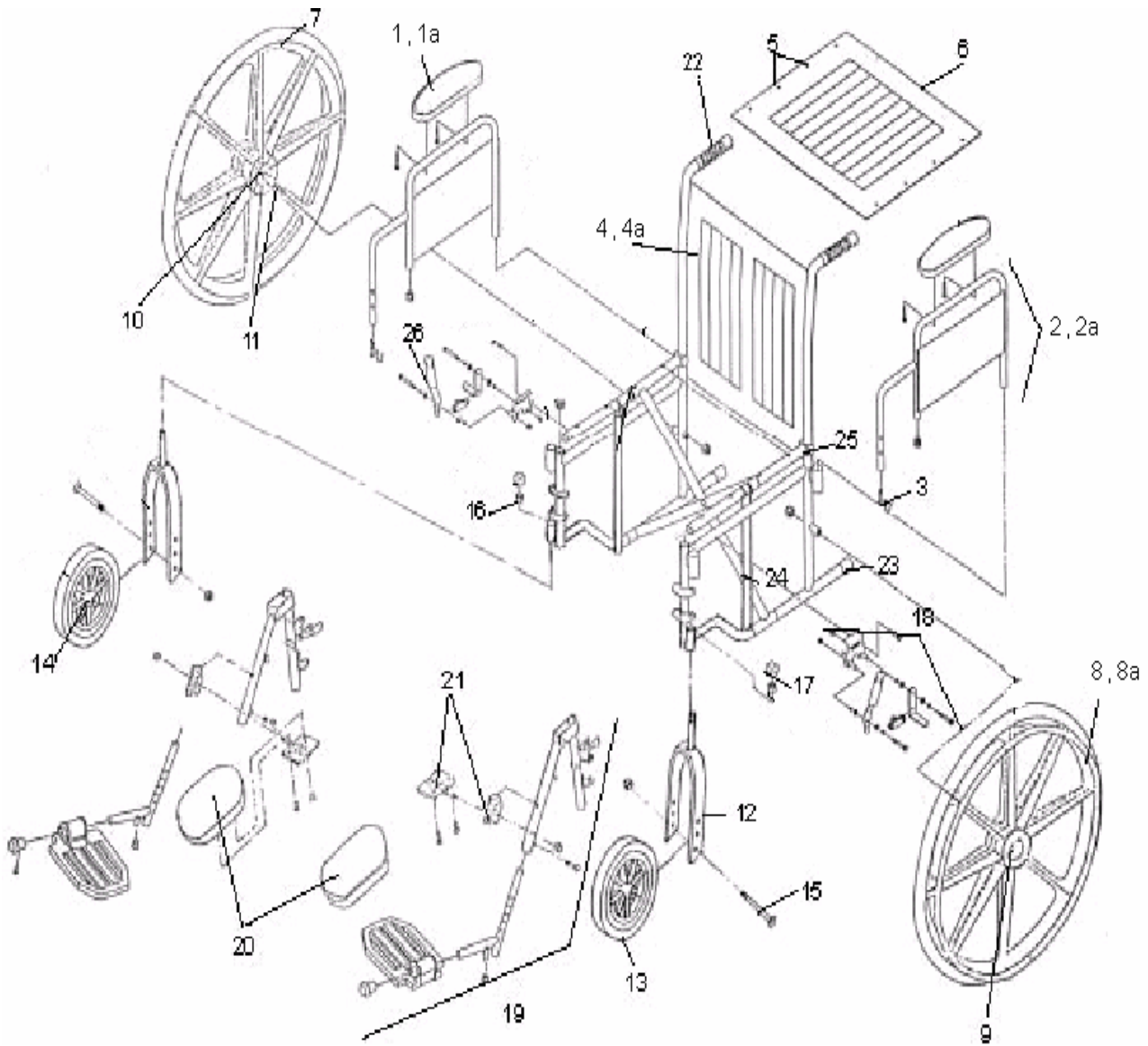
Item #

		Item #
1	ARMREST PAD, DESK LENGTH, EACH	WCA806915***
1a	ARMREST PAD, FULL LENGTH, EACH	WCA806910***
2	ARMREST ASSEMBLY, DESK LENGTH, REMOVABLE, PAIR	WCA806960
2a	ARMREST ASSEMBLY, FULL LENGTH, REMOVABLE, PAIR	WCA806961
3	ARMLOCK PIN FOR REMOVABLE ARMS, EACH	WCA806903
4	UPHOLSTERY, BACK, 18"X16", BLACK	WCA806925BLK
4a	UPHOLSTERY SET W/SCREWS, FOR NARROW CHAIR, 16" WIDE	WCA806920NS
5	SCREW AND WASHERS FOR SEAT & BACK UPHOLSTERY	WCA806975
6	UPHOLSTERY, SEAT, 18"X16", BLACK	WCA806920BLK
7	RUBBER REAR WHEEL W/BEARING, NO HANDRIM, EACH	WCA806945
8	HANDRIM W/SCREWS, CHROME, EACH	WCA806940
8a	HANDRIM W/SCREWS, COMPOSITE, EACH	WCA806940COMP
9	REAR WHEEL HUBCAP, EACH	WCA806902
10	REAR WHEEL BEARING, SET	WCA806955PR
11	AXLE FOR REAR WHEEL, REMOVABLE ARMS, EACH	WCA806951R
12	FRONT FORK HEMI HEIGHT ADJUSTABLE, BLACK, EACH	WCA806931HHA
13	FRONT CASTER 8", W/BEARINGS, EACH	WCA806930
14	BEARINGS FOR FRONT CASTER, PAIR	WCA806935PR
15	AXLE & HARDWARE FOR FRONT CASTER, SET	WCA806933
16	STEM BEARING FOR FRONT CASTER, PAIR	WCA806950PR
17	DUST CAP, EACH	WCA806995
18	WHEEL LOCK ASSEMBLY PAIR (PULL TO LOCK)	WCA806990R
19	FOOTREST ASSEMBLY, ALUMINUM FOOTPLATE, HEMI, PAIR	WCA806965HEMI
19a	FOOTREST SITE FOOTPLATE, HEMI, PAIR	WCA806965HCMP
20	FOOTPLATE ASSEMBLY, ALUMINUM, PAIR	WCA806900
20a	FOOTPLATE ASSEMBLY, COMPOSITE, PAIR	WCA806901
21	HANDGRIPS, PAIR	WCA806909
22	TUBE END CAP FOR REAR FRAME, EACH	WCA806904
23	SLIDE TUBE, EACH	WCA806996
24	SEAT GUIDES SET FRONT & REAR, REMOVABLE ARM, SET	WCA806981
25	WHEEL LOCK HANDLE, BLACK RUBBER TIP, EACH (PULL TO LOCK)	WCA806907

\*\*\* BLK=BLACK, Nvy=NAVY, RBY=RUBY, SLG=SILVER GRAY, DOE=DOEVAN BLUE



# Wheelchair Parts Guide



## Excel 2000 with Desk-Length Arms and Elevating Legrests

<b>MDS806300</b>	<b>18" Removable desk-length arms, elevating leg rests</b>
<b>MDS806300N</b>	<b>16" Removable desk-length arms, elevating leg rests</b>
<b>MDS806300D</b>	<b>18" Removable desk-length arms, elevating leg rests</b>
<b>MDS806300DFLA</b>	<b>18" Removable full-length arms, elevating leg rests</b>



# Wheelchair Parts Guide

## EXCEL 2000 WHEELCHAIR PARTS LIST

MDS806300 / MDS806300N / MDS806300D / MDS806300DFLA

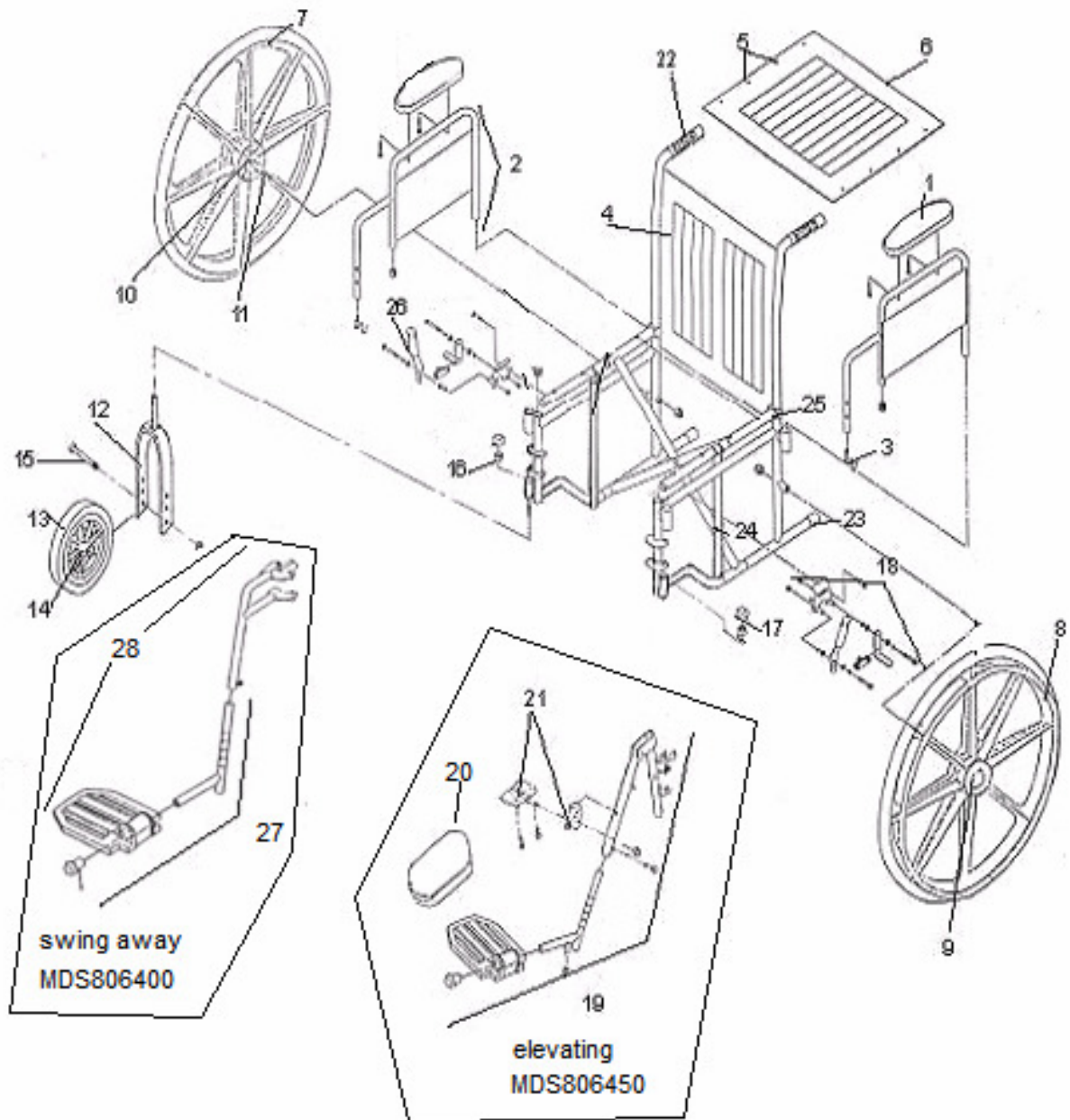
		Item #
1	ARMREST PAD, DESK LENGTH, EACH	WCA806915***
1a	ARMREST PAD, FULL LENGTH, EACH	WCA806910***
2	ARMREST ASSEMBLY, DESK LENGTH, REMOVABLE, PAIR	WCA806960
2a	ARMREST ASSEMBLY, FULL LENGTH, REMOVABLE, PAIR	WCA806961
3	ARMLOCK PIN FOR REMOVABLE ARMS, EACH	WCA806903
4	UPHOLSTERY, BACK, 18"X16", BLACK	WCA806925BLK
4a	UPHOLSTERY SET W/SCREWS, FOR NARROW CHAIR, 16" WIDE	WCA806920NS
5	SCREW AND WASHERS FOR SEAT & BACK UPHOLSTERY	WCA806975
6	UPHOLSTERY, SEAT, 18"X16", BLACK	WCA806920BLK
7	RUBBER REAR WHEEL W/BEARING, NO HANDRIM, EACH	WCA806945
8	HANDRIM W/SCREWS, CHROME, EACH	WCA806940
8a	HANDRIM W/SCREWS, COMPOSITE, EACH	WCA806940COMP
9	REAR WHEEL HUBCAP, EACH	WCA806902
10	REAR WHEEL BEARING, SET	WCA806955PR
11	AXLE FOR REAR WHEEL, REMOVABLE ARMS, EACH	WCA806951R
12	FRONT FORK HEMI HEIGHT ADJUSTABLE, BLACK, EACH	WCA806931HHA
13	FRONT CASTER 8", W/BEARINGS, EACH	WCA806930
14	BEARINGS FOR FRONT CASTER, PAIR	WCA806935PR
15	AXLE & HARDWARE FOR FRONT CASTER, SET	WCA806933
16	STEM BEARING FOR FRONT CASTER, PAIR	WCA806950PR
17	DUST CAP, EACH	WCA806995
18	WHEEL LOCK ASSEMBLY PAIR (PULL TO LOCK)	WCA806990R
19	ELEVATING LEGREST, COMP. FOOTPLATE, HEMI, W/CALF PAD, PAIR	WCA806985HCMP
20	CALF PAD, EACH	WCA806918***
21	BRACKET AND PLATFORM FOR CALF PAD, SET	WCA806919
22	HANDGRIPS, PAIR	WCA806909
23	TUBE END CAP FOR REAR FRAME, EACH	WCA806904
24	SLIDE TUBE, EACH	WCA806996
25	SEAT GUIDES SET FRONT & REAR, REMOVABLE ARM, SET	WCA806981
26	WHEEL LOCK HANDLE, BLACK RUBBER TIP, EACH (PULL TO LOCK)	WCA806907

\*\*\* BLK=BLACK, NVY=NAVY, RBY=RUBY, SLG=SILVER GRAY, DOE=DOEVAN BLUE





# Wheelchair Parts Guide



## Excel 2000 20" (with black upholstery)

MDS806400	20" Removable desk-length arms, swing-away footrests
MDS806450	20" Removable desk-length arms, elevating leg rests



# Wheelchair Parts Guide

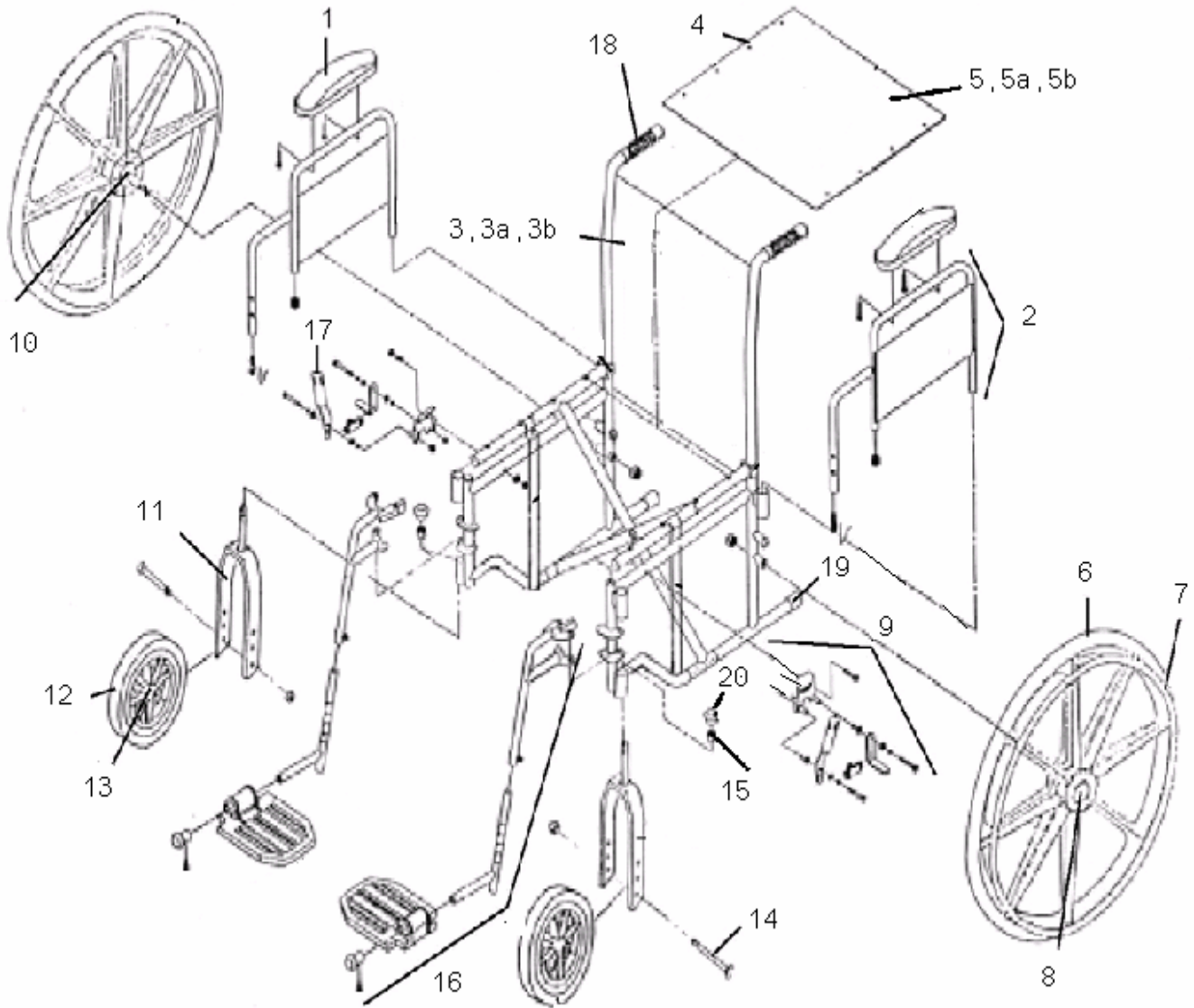
## EXCEL 2000 20" (with black upholstery) Parts List

MDS806400, MDS806450

		Item #
1	ARMREST PAD, DESK LENGTH, EACH	WCA806915BLK
2	ARMREST ASSEMBLY, DESK LENGTH, REMOVABLE, PAIR	WCA806960
3	ARMLOCK PIN FOR REMOVABLE ARMS, EACH	WCA806903
4	UPHOLSTERY SET W/SCREWS, 20" WIDE	WCA806927BLKS
5	SCREW AND WASHERS, SEAT & BACK UPHOLSTERY	WCA806975
6	UPHOLSTERY SET W/SCREWS, 20" WIDE	WCA806927BLKS
7	RUBBER REAR WHEEL W/BEARING, NO HANDRIM, EACH	WCA806945
8	HANDRIM W/SCREWS, COMPOSITE, EACH	WCA806940COMP
9	REAR WHEEL HUBCAP, EACH	WCA806902
10	REAR WHEEL BEARING, SET	WCA806955PR
11	AXLE FOR REAR WHEEL, EACH	WCA806951R
12	FRONT FORK HEMI HEIGHT ADJUSTABLE, BLACK, EACH	WCA806931HHA
13	FRONT CASTER 8", W/BEARINGS, EACH	WCA806930
14	BEARINGS FOR FRONT CASTER, PAIR	WCA806935PR
15	AXLE & HARDWARE FOR FRONT CASTER, SET	WCA806933
16	STEM BEARING FOR FRONT CASTER, PAIR	WCA806950PR
17	DUST CAP, EACH	WCA806995
18	WHEEL LOCK ASSEMBLY PAIR (PULL TO LOCK)	WCA806990PK4
19	ELEVATING LEGREST, COMP. FOOTPLATE, HEMI, W/CALF PAD, PAIR	WCA806985HCMP
20	CALF PAD, EACH	WCA806918BLK
21	BRACKET AND PLATFORM FOR CALF PAD, SET	WCA806919
22	HANDGRIPS, PAIR	WCA806909
23	TUBE END CAP FOR REAR FRAME, EACH	WCA806904
24	SLIDE TUBES	WCA806996
25	SEAT GUIDES SET FRONT & REAR	WCA806981
26	WHEEL LOCK HANDLE, BLACK RUBBER TIP, EACH (PULL TO LOCK)	WCA806907
27	FOOTPLATE ASSEMBLY FOR MDS806400, ALUMINUM, PAIR	WCA806900
28	FOOTREST ASSEMBLY, ALUMINUM FOOTPLATE, HEMI, PAIR	WCA806965HEMI



# Wheelchair Parts Guide



## Excel 3000 with Desk-Length Arms and Swing-Away Footrests

MDS806250NDLX	16" Removable desk-length arms, swing-away footrests
MDS806250DLX	18" Removable desk-length arms, swing-away footrests



# Wheelchair Parts Guide

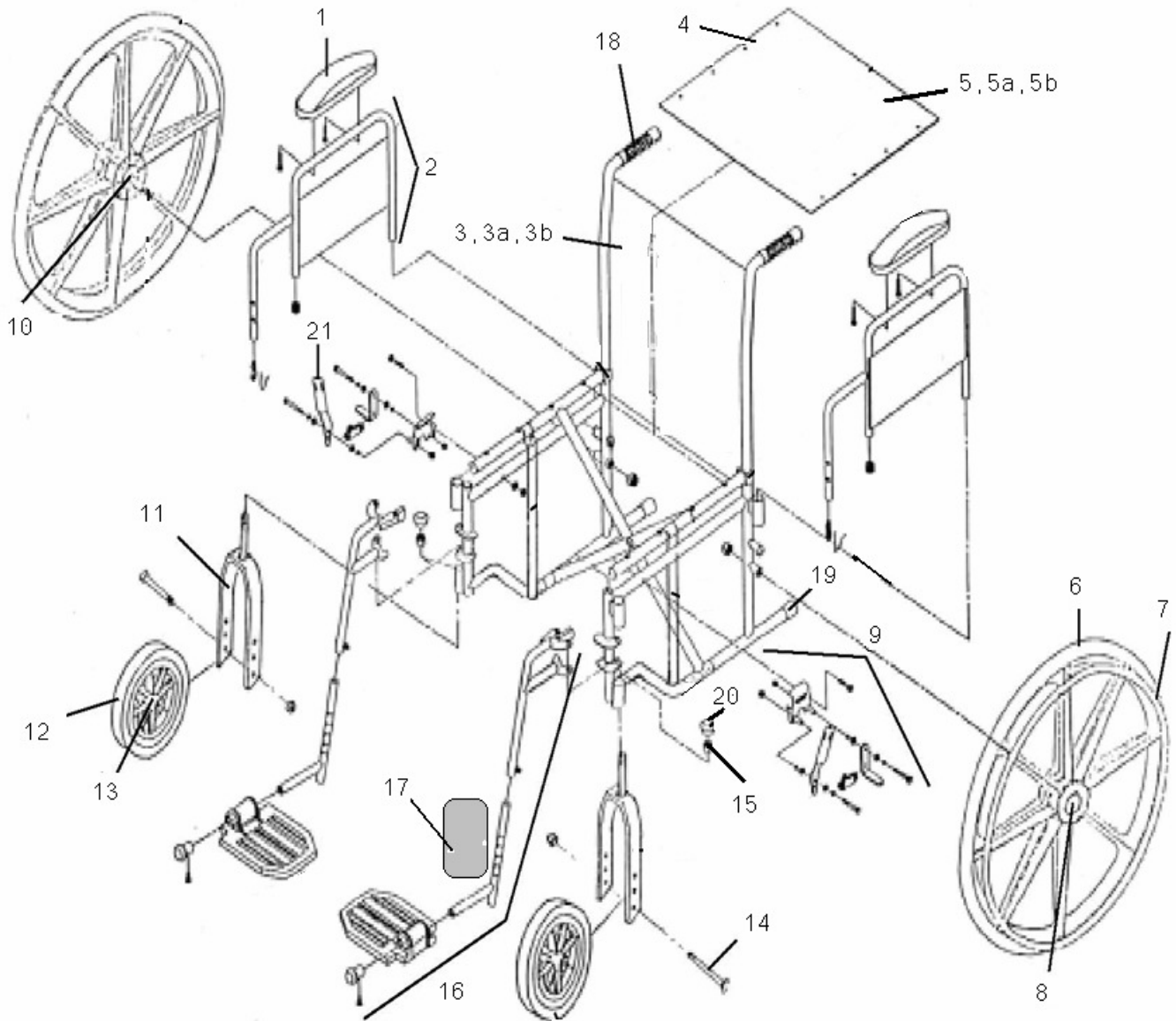
## EXCEL 3000 WHEELCHAIR PARTS LIST

### MDS806250NDLX / MDS806250DLX

		Item #
1	ARMREST PAD, DESK LENGTH, EACH	WCA806915NYL
2	ARMREST ASSEMBLY, DESK LENGTH, REMOVABLE, PAIR	WCA806960
3	UPHOLSTERY, BACK, FOR 20" CHAIR	WCA806929K4
3a	UPHOLSTERY, BACK, FOR 18" CHAIR	WCA806922K4S
3b	UPHOLSTERY, BACK, FOR 16" CHAIR	WCA806921K4
4	SCREW AND WASHERS FOR SEAT & BACK UPHOLSTERY	WCA806975
5	UPHOLSTERY, SEAT, FOR 20" CHAIR	WCA806927K4
5a	UPHOLSTERY, SEAT, FOR 18" CHAIR	WCA806922K4S
5b	UPHOLSTERY, SEAT, FOR 16" CHAIR	WCA806921K4
6	RUBBER REAR WHEEL W/BEARING, NO HANDRIM, EACH	WCA806945
7	HANDRIM W/SCREWS, COMPOSITE, EACH	WCA806940COMP
8	QUICK RELEASE BOLT, 16"-18" CHAIR	WCA806QRB
9	WHEEL LOCK ASSEMBLY, QUICK RELEASE	WCA3000QRBRAK
10	REAR WHEEL BEARING, SET	WCA806955PR
11	FRONT FORK HEMI HEIGHT ADJUSTABLE, BLACK, EACH	WCA806931HHA
12	FRONT CASTER 8", W/BEARINGS, EACH	WCA806930
13	BEARINGS FOR FRONT CASTER, PAIR	WCA806935PR
14	AXLE & HARDWARE FOR FRONT CASTER, SET	WCA806933
15	STEM BEARING FOR FRONT CASTER, PAIR	WCA806950PR
16	FOOTREST ASSEMBLY COMPOSITE FOOTPLATE, HEMI, PAIR	WCA806965HCMP
17	HANDLE TIP FOR WHEEL LOCK	WCA806907
18	HANDGRIPS, PAIR	WCA806909
19	TUBE END CAP FOR REAR FRAME, EACH	WCA806904
20	DUST CAP, EACH	WCA806995
21	12" WHEELKIT (TRANSPORT, NOT PICTURED)	WCAWHEELKIT



# Wheelchair Parts Guide



## Excel 3000 with Desk-Length Arms and Elevating Legrests

MDS806300NDLX	16" Removable desk-length arms, elevating leg rests
MDS806300DLX	18" Removable desk-length arms, elevating leg rests



# Wheelchair Parts Guide

## EXCEL 3000 WHEELCHAIR PARTS LIST

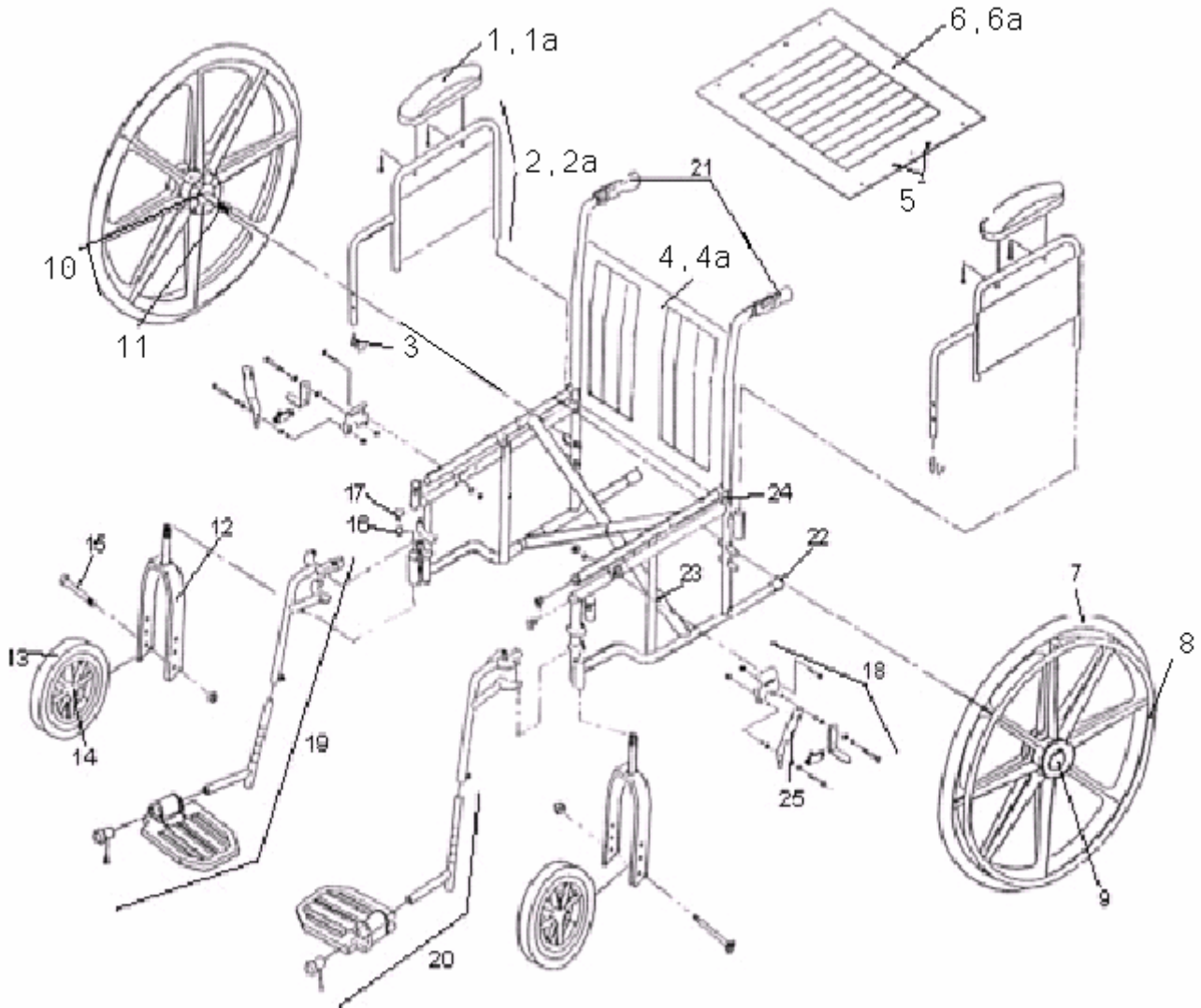
### MDS806300NDLX / MDS806300DLX

		Item #
1	ARMREST PAD, DESK LENGTH, EACH	WCA806915NYL
2	ARMREST ASSEMBLY, DESK LENGTH, REMOVABLE, PAIR	WCA806960
3	UPHOLSTERY, BACK, FOR 20" CHAIR	WCA806929K4
3a	UPHOLSTERY, BACK, FOR 18" CHAIR	WCA806922K4S
3b	UPHOLSTERY, BACK, FOR 16" CHAIR	WCA806921K4
4	SCREW AND WASHERS, SEAT & BACK UPHOLSTERY	WCA806975
5	UPHOLSTERY, SEAT, FOR 20" CHAIR	WCA806927K4
5a	UPHOLSTERY, SEAT, FOR 18" CHAIR	WCA806922K4S
5b	UPHOLSTERY, SEAT, FOR 16" CHAIR	WCA806921K4
6	RUBBER REAR WHEEL W/BEARING, NO HANDRIM, EACH	WCA806945
7	HANDRIM W/SCREWS, COMPOSITE, EACH	WCA806940COMP
8	QUICK RELEASE BOLT, 16"-18" CHAIR	WCA806QRB
9	WHEEL LOCK ASSEMBLY, QUICK RELEASE	WCA3000QRBRAK
10	REAR WHEEL BEARING, SET	WCA806955PR
11	FRONT FORK HEMI HEIGHT ADJUSTABLE, BLACK, EACH	WCA806931HHA
12	FRONT CASTER 8", W/BEARINGS, EACH	WCA806930
13	BEARINGS FOR FRONT CASTER, PAIR	WCA806935PR
14	AXLE & HARDWARE FOR FRONT CASTER, SET	WCA806933
15	STEM BEARING FOR FRONT CASTER, PAIR	WCA806950PR
16	ELEVATING LEGREST, COMP. FOOTPLATE, HEMI, W/CALF PAD, PAIR	WCA806985HCMP
17	CALF PAD, EACH	WCA806918NYL
18	HANDGRIPS, PAIR	WCA806909
19	TUBE END CAP FOR REAR FRAME, EACH	WCA806904
20	DUST CAP, EACH	WCA806995
21	WHEEL LOCK HANDLE, BLACK RUBBER TIP, EACH	WCA806907
22	12" WHEELKIT (TRANSPORT, NOT PICTURED)	WCAWHEELKIT





# Wheelchair Parts Guide



## Excel K3 with Removable Desk-Length Arms and Swing-Away Footrests

MDS806600N	16" Removable desk-length arms, swing-away footrests
MDS806600	18" Removable desk-length arms, swing-away footrests
MDS806600FLA	18" Removable full-length arms, swing-away footrests



# Wheelchair Parts Guide

## EXCEL K3 WHEELCHAIR PARTS LIST

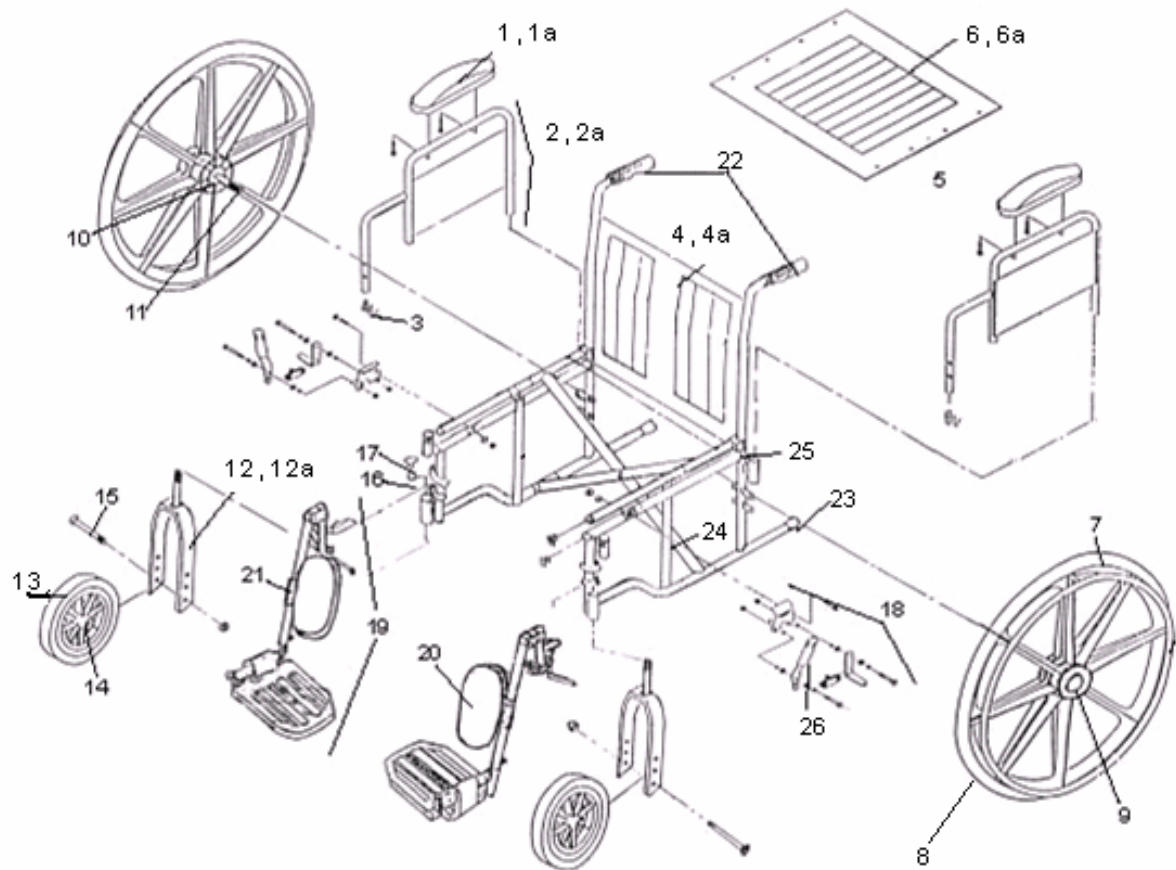
MDS806600N / MDS806600 / MDS806600FLA

Item #

		Item #
1	ARMREST PAD, DESK LENGTH, EACH	WCA806915NYL
1a	ARMREST PAD, FULL LENGTH, EACH	WCA806910NYL
2	ARMREST ASSEMBLY, DESK LENGTH, REMOVABLE, ALUMINUM, PAIR	WCA806960A
2a	ARMREST ASSEMBLY, FULL LENGTH, REMOVABLE, ALUMINUM, PAIR	WCA806961
3	ARMLOCK PIN FOR REMOVABLE ARMS, EACH	WCA806903
4	BACK UPHOLSTERY W/SCREWS, 18" WIDE, STANDARD CHAIR	WCA806924
4a	BACK UPHOLSTERY W/SCREWS, FOR NARROW WC, 16" WIDE	WCA806923
5	SCREW AND WASHERS FOR SEAT & BACK UPHOLSTERY	WCA806975
6	SEAT UPHOLSTERY W/SCREWS, 18" WIDE, NYLON	WCA806922K3S
6a	SEAT UPHOLSTERY W/SCREWS, FOR NARROW WC, 16" WIDE, NYLON	WCA806921K3
7	REAR WHEEL ASSEMBLY W/BEARING & HANDRIM	WCA806946
8	HANDRIM W/SCREWS, COMPOSITE, EACH	WCA806940COMP
9	REAR WHEEL HUBCAP, EACH	WCA806902
10	REAR WHEEL BEARING, SET	WCA806955PR
11	AXLE FOR REAR WHEEL, REMOVABLE ARMS, EACH	WCA806951R
12	FRONT FORK HEMI HEIGHT ADJUSTABLE, BLACK, EACH	WCA806931HHA
13	FRONT CASTER 8", W/BEARINGS, EACH	WCA806930
14	BEARINGS FOR FRONT CASTER, PAIR	WCA806935PR
15	AXLE & HARDWARE FOR FRONT CASTER, SET	WCA806933
16	STEM BEARING FOR FRONT CASTER, PAIR	WCA806950PR
17	DUST CAP, EACH	WCA806995
18	WHEEL LOCK ASSEMBLY PAIR (PULL TO LOCK)	WCA806990R
19	FOOTREST ASSEMBLY, ALUMINUM FOOTPLATE, HEMI, PAIR	WCA806965HEMI
20	FOOTPLATE ASSEMBLY, ALUMINUM, PAIR	WCA806900
21	HANDGRIPS, PAIR	WCA806909
22	TUBE END CAP FOR REAR FRAME, EACH	WCA806904
23	SLIDE TUBE, EACH	WCA806996
24	SEAT GUIDES SET FRONT & REAR, REMOVABLE ARM, SET	WCA806981
25	WHEEL LOCK HANDLE, BLACK RUBBER TIP, EACH (PULL TO LOCK)	WCA806907



# Wheelchair Parts Guide



## Excel K3 with Removable Desk-Length Arms and Elevating Legrests

MDS806650N	16" Removable desk-length arms, elevating leg rests
MDS806650	18" Removable desk-length arms, elevating leg rests
MDS806650FLA	18" Removable full-length arms, elevating leg rests



# Wheelchair Parts Guide

## EXCEL K3 WHEELCHAIR PARTS LIST

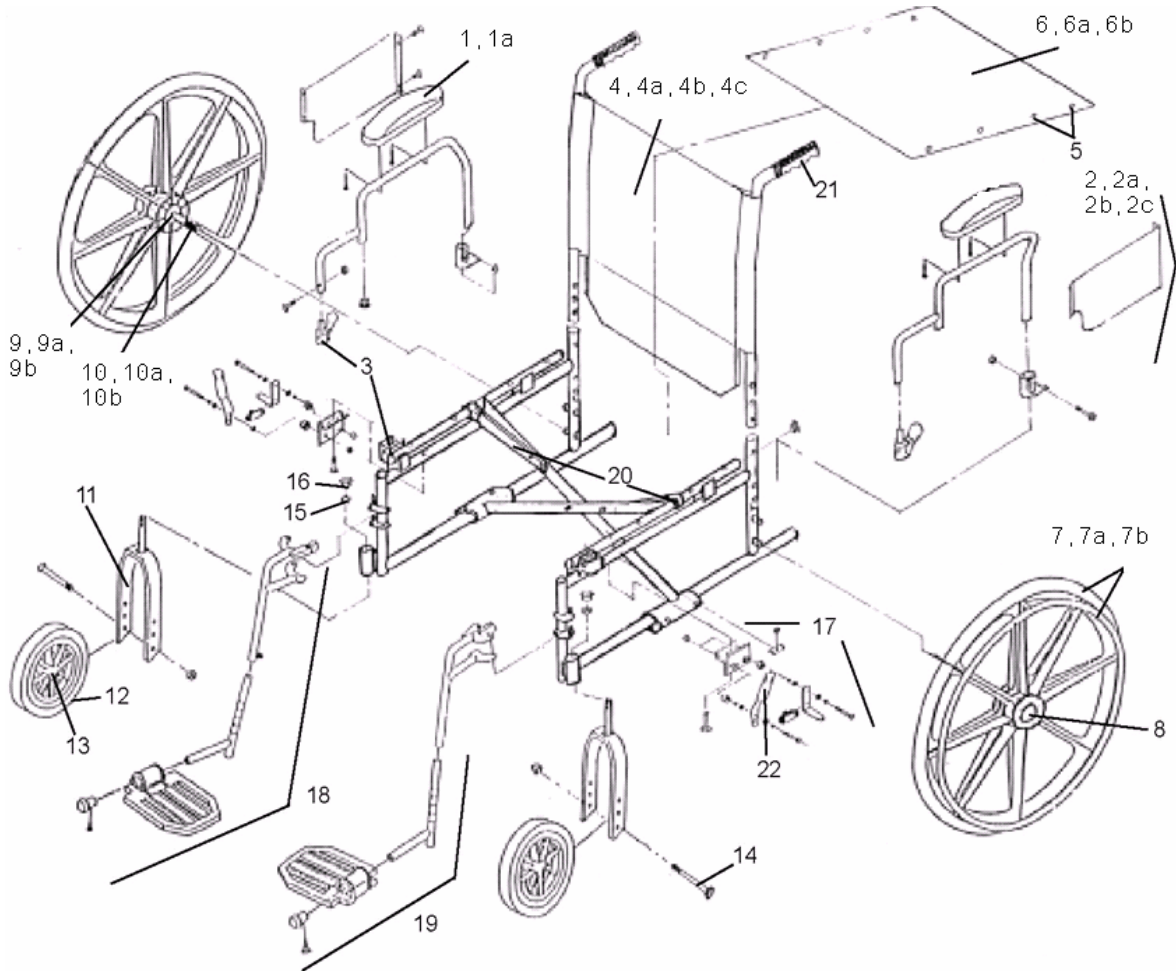
MDS806650N / MDS806650 / MDS806650FLA

Item #

		Item #
1	ARMREST PAD, DESK LENGTH, EACH	WCA806915NYL
1a	ARMREST PAD, FULL LENGTH, EACH	WCA806910NYL
2	ARMREST ASSEMBLY, DESK LENGTH, REMOVABLE, ALUMINUM, PAIR	WCA806960A
2a	ARMREST ASSEMBLY, FULL LENGTH, REMOVABLE, PAIR	WCA806961
3	ARMLOCK PIN FOR REMOVABLE ARMS, EACH	WCA806903
4	BACK UPHOLSTERY W/SCREWS, 18" WIDE, STANDARD CHAIR	WCA806924
4a	UPHOLSTERY SET W/SCREWS, FOR NARROW WC, 16" WIDE, NYLON	WCA806921K3S
5	SCREW AND WASHERS FOR SEAT & BACK UPHOLSTERY	WCA806975
6	SEAT UPHOLSTERY W/SCREWS, 18" WIDE, NYLON	WCA806922K3S
6a	UPHOLSTERY SET W/SCREWS, FOR NARROW WC, 16" WIDE, NYLON	WCA806921K3S
7	REAR WHEEL ASSEMBLY W/BEARING & HANDRIM	WCA806946
8	HANDRIM W/SCREWS, COMPOSITE, EACH	WCA806940COMP
9	REAR WHEEL HUBCAP, EACH	WCA806902
10	REAR WHEEL BEARING, SET	WCA806955PR
11	AXLE FOR REAR WHEEL, REMOVABLE ARMS, EACH	WCA806951R
12	FRONT FORK, STANDARD HEIGHT, CHROME, EACH	WCA806931
12a	FRONT FORK HEMI HEIGHT ADJUSTABLE, BLACK, EACH	WCA806931HHA
13	FRONT CASTER 8", W/BEARINGS, EACH	WCA806930
14	BEARINGS FOR FRONT CASTER, PAIR	WCA806935PR
15	AXLE & HARDWARE FOR FRONT CASTER, SET	WCA806933
16	STEM BEARING FOR FRONT CASTER, PAIR	WCA806950PR
17	DUST CAP, EACH	WCA806995
18	WHEEL LOCK ASSEMBLY PAIR (PULL TO LOCK)	WCA806990R
19	ELEVATING LEGREST, ALUMINUM FOOTPLATE, HEMI, NO PADS, PAIR	WCA806985HEMI
20	CALF PAD, EACH	WCA806918NYL
21	BRACKET AND PLATFORM FOR CALF PAD	WCA806919
22	HANDGRIPS, PAIR	WCA806909
23	TUBE END CAP FOR REAR FRAME, EACH	WCA806904
24	SLIDE TUBE, EACH	WCA806996
25	SEAT GUIDES SET FRONT & REAR, REMOVABLE ARM, SET	WCA806981
26	WHEEL LOCK HANDLE, BLACK RUBBER TIP, EACH (PULL TO LOCK)	WCA806907



# Wheelchair Parts Guide



## Excel K4 with Swing-Back Desk-Length Arms and Swing-Away Footrests

MDS806500N	16" Swing-back desk-length arms, swing-away footrests
MDS806500	18" Swing-back desk-length arms, swing-away footrests
MDS806560	20" Swing-back desk-length arms, swing-away footrests
MDS806570	22" Swing-back desk-length arms, swing-away footrests



# Wheelchair Parts Guide

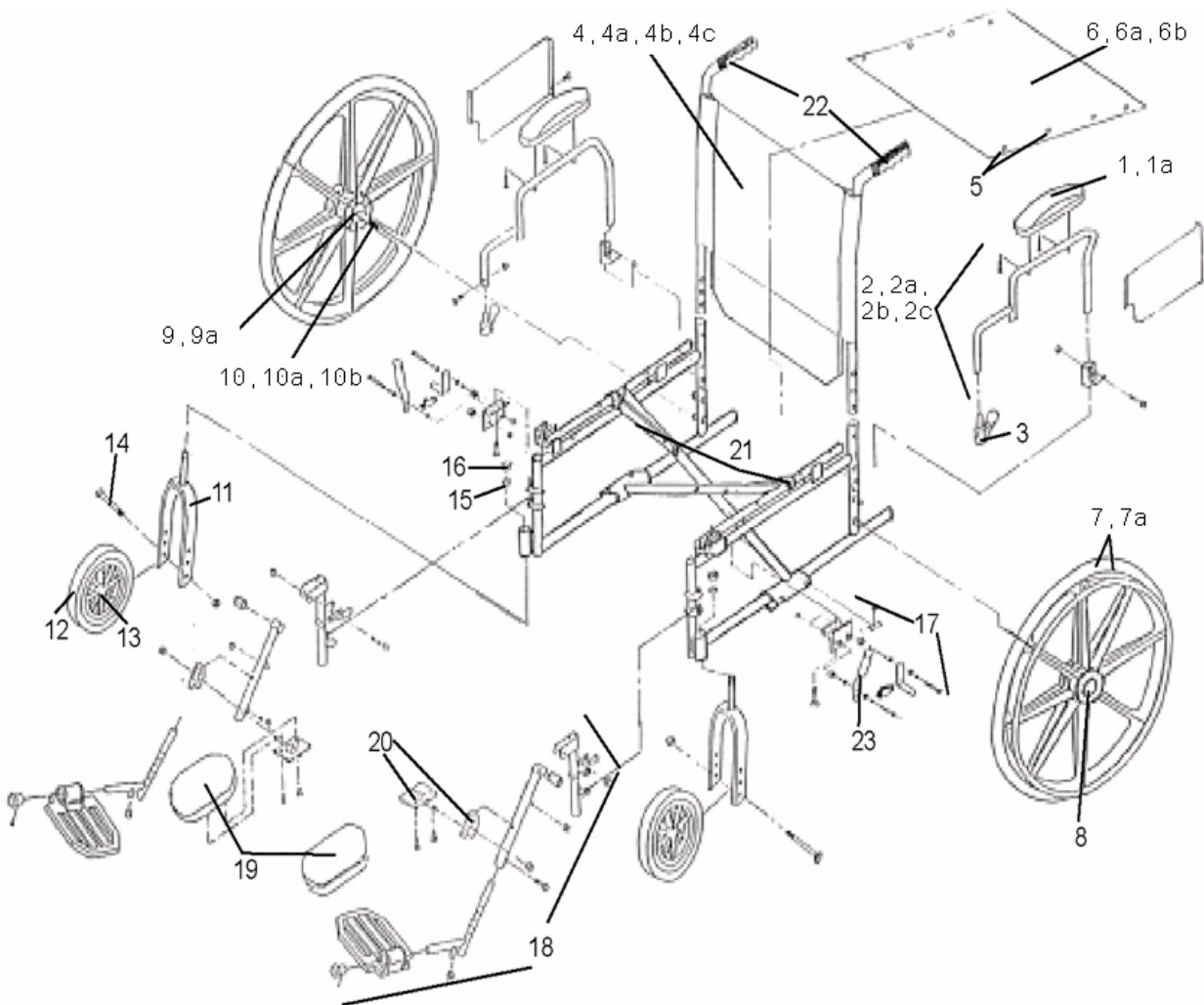
## EXCEL K4 WHEELCHAIR PARTS LIST MDS806500N / MDS806500 / MDS806560 / MDS806570

1	ARMREST PAD, DESK LENGTH, EACH	WCA806915NYL
1a	ARMREST PAD, FULL LENGTH, EACH	WCA806910NYL
2	ARMREST W/PAD ASSEMBLY, DESK LENGTH, SWING BACK	WCA806968K4
2a	ARMREST W/PAD ASSEMBLY, FULL LENGTH, SWING BACK	WCA806969K4
2b	ARMREST W/PAD ASSEMBLY, HEIGHT ADJ. DESK LENGTH, SWING BACK	WCA806962K4
2c	ARMREST W/PAD ASSEMBLY, HEIGHT ADJ. FULL LENGTH, SWING BACK	WCA806963K4
3	ARMLOCK ASSEMBLY	WCA806903K4
4	UPHOLSTERY SET W/SCREWS, 18" WIDE	WCA806922K4S
4a	BACK UPHOLSTERY W/SCREWS, 16" WIDE, NYLON	WCA806921K4
4b	BACK UPHOLSTERY W/SCREWS, 20" WIDE, NYLON	WCA806929K4
4c	BACK UPHOLSTERY W/SCREWS, 22" WIDE, NYLON	WCA806928K4
5	SCREW AND WASHERS FOR SEAT AND BACK UPHOLSTERY	WCA806975
6	SEAT UPHOLSTERY W/SCREWS, 16" WIDE, NYLON	WCA806921K4
6a	SEAT UPHOLSTERY W/SCREWS, 20" WIDE, NYLON	WCA806927K4
6b	SEAT UPHOLSTERY W/SCREWS, 22" WIDE, NYLON	WCA806926K4
7	REAR WHEEL ASSEMBLY W/BEARING AND HANDRIM, EACH	WCA806946
7a	REAR WHEEL ASSEMBLY 16" AND 18" QR	WCA806946QR
7b	REAR WHEEL ASSEMBLY 20" AND 22" QR	WCA806956QR1
8	REAR WHEEL HUBCAP, EACH	WCA806902
9	REAR WHEEL BEARING, SET	WCA806955PR
9a	REAR WHEEL BEARING, 16" AND 18" QUICK RELEASE	WCA806955QR
9b	REAR WHEEL BEARING, 20" AND 22" CHAIR, QUICK RELEASE	WCA806955QR1
10	AXLE FOR REAR WHEEL, NON QUICK RELEASE	WCA806951R
10a	QUICK RELEASE AXLE FOR WHEELCHAIR, 16" AND 18" SEAT	WCA806951QR
10b	QUICK RELEASE AXLE FOR WHEELCHAIR, 20" AND 22" SEAT	WCA806951QR1
11	FRONT FORK HEMI HEIGHT ADJUSTABLE, BLACK, EACH	WCA806931HHA
12	FRONT CASTER 8", W/BEARINGS, EACH	WCA806930
13	BEARINGS FOR FRONT CASTER, PAIR	WCA806935PR
14	AXLE & HARDWARE FOR FRONT CASTER, SET	WCA806933
15	STEM BEARING FOR FRONT CASTER, PAIR	WCA806950PR
16	DUST CAP, EACH	WCA806995
17	WHEEL LOCK ASSEMBLY PAIR	WCA806990PK4
18	FOOTREST ASSEMBLY COMPOSITE FOOTPLATE, HEMI, PAIR	WCA806965HCMP
19	FOOTPLATE ASSEMBLY, COMPOSITE, PAIR	WCA806901
20	SUPPORT HOLDER, PLASTIC 16" & 18" ONLY	WCA806908
21	HANDGRIPS, PAIR	WCA806909
22	WHEEL LOCK HANDLE, BLACK RUBBER TIP, EACH (PULL TO LOCK)	WCA806907





# Wheelchair Parts Guide



## Excel K4 with Swing-Back Desk-Length Arms and Elevating Legrests

<b>MDS806550N</b>	<b>16" Swing-back desk-length arms, elevating leg rests</b>
<b>MDS806550</b>	<b>18" Swing-back desk-length arms, elevating leg rests</b>
<b>MDS806565</b>	<b>20" Swing-back desk-length arms, elevating leg rests</b>
<b>MDS806575</b>	<b>22" Swing-back desk-length arms, elevating leg rests</b>



# Wheelchair Parts Guide

## K4 WHEELCHAIR PARTS LIST

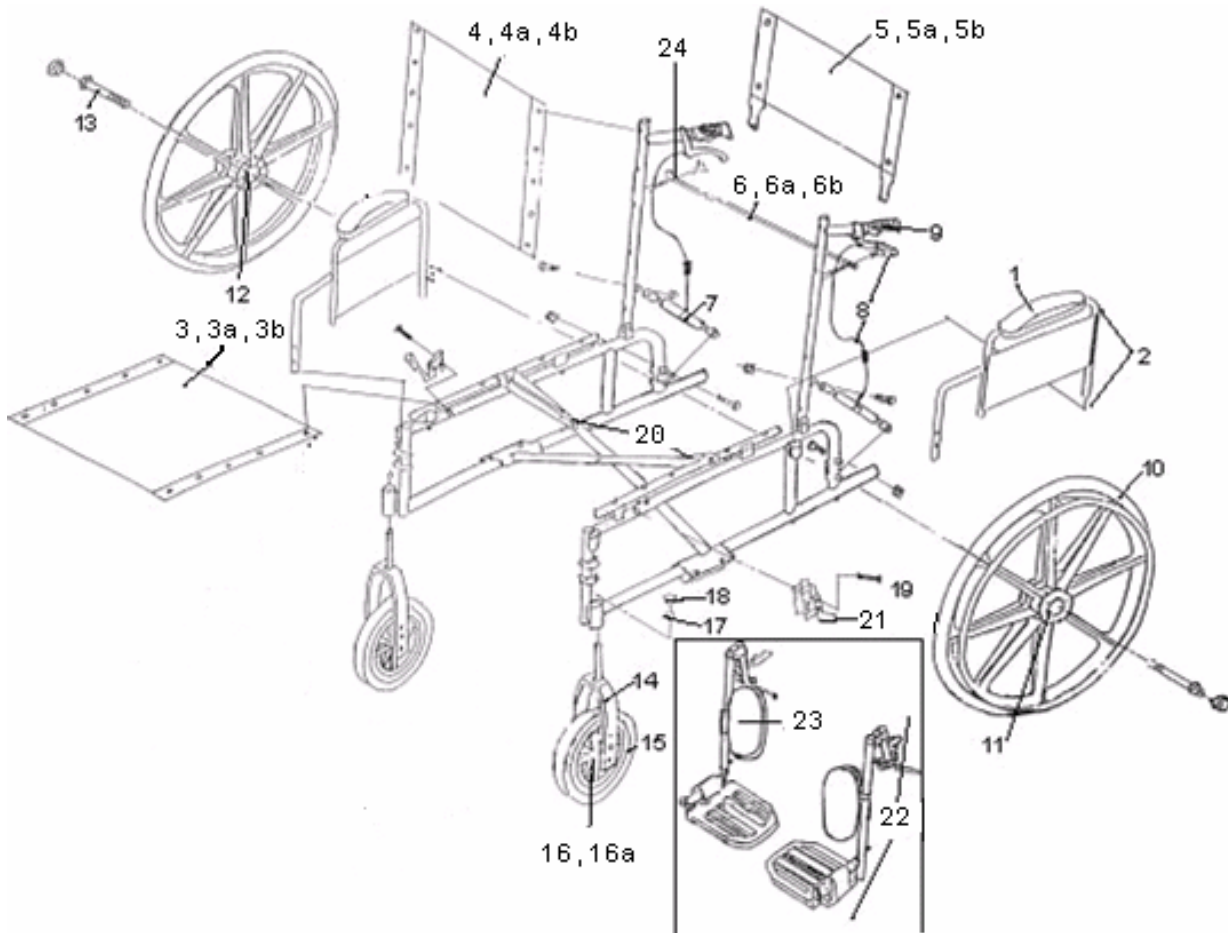
MDS806550N / MDS806550 / MDS806565 / MDS806575

Item #

		Item #
1	ARMREST PAD, DESK LENGTH, EACH	WCA806915NYL
1a	ARMREST PAD, FULL LENGTH, EACH	WCA806910NYL
2	ARMREST W/PAD ASSEMBLY, DESK LENGTH, SWING BACK	WCA806968K4
2a	ARMREST W/PAD ASSEMBLY, FULL LENGTH, SWING BACK	WCA806969K4
2b	ARMREST W/PAD ASSEMBLY, HEIGHT ADJ. DESK LENGTH, SWING BACK	WCA806962K4
2c	ARMREST W/PAD ASSEMBLY, HEIGHT ADJ. FULL LENGTH, SWING BACK	WCA806963K4
3	ARMLOCK ASSEMBLY FOR K4	WCA806903K4
4	UPHOLSTERY SET W/SCREWS, 18" WIDE	WCA806922K4S
4a	UPHOLSTERY SET W/SCREWS, 16" WIDE, NYLON	WCA806921K4S
4b	BACK UPHOLSTERY W/SCREWS, 20" WIDE, NYLON	WCA806929K4
4c	BACK UPHOLSTERY W/SCREWS, 22" WIDE, NYLON	WCA806928K4
5	SCREW AND WASHERS FOR SEAT AND BACK UPHOLSTERY	WCA806975
6	UPHOLSTERY SET W/SCREWS, 16" WIDE, NYLON	WCA806921K4S
6a	SEAT UPHOLSTERY W/SCREWS, 20" WIDE, NYLON	WCA806927K4
6b	SEAT UPHOLSTERY W/SCREWS, 22" WIDE, NYLON	WCA806926K4
7	REAR WHEEL ASSEMBLY 16" AND 18" QR W/ HANDRIM	WCA806946
7a	REAR WHEEL ASSEMBLY 20" AND 22" QR	WCA806956QR1
8	REAR WHEEL HUBCAP, EACH	WCA806902
9	REAR WHEEL BEARING, SET	WCA806955PR
9a	REAR WHEEL BEARING, 20" AND 22" CHAIR, QUICK RELEASE	WCA806955QR1
10	AXLE FOR REAR WHEEL, NON QUICK RELEASE	WCA806951R
10a	QUICK RELEASE AXLE FOR WHEELCHAIR, 16" AND 18" SEAT	WCA806951QR
10b	QUICK RELEASE AXLE FOR WHEELCHAIR, 20" AND 22" SEAT	WCA806951QR1
11	FRONT FORK HEMI HEIGHT ADJUSTABLE, BLACK, EACH	WCA806931HHA
12	FRONT CASTER 8", W/BEARINGS, EACH	WCA806930
13	BEARINGS FOR FRONT CASTER, PAIR	WCA806935PR
14	AXLE & HARDWARE FOR FRONT CASTER, SET	WCA806933
15	STEM BEARING FOR FRONT CASTER, PAIR	WCA806950PR
16	DUST CAP, EACH	WCA806995
17	WHEEL LOCK ASSEMBLY PAIR	WCA806990PK4
18	ELEVATING LEGREST COMPOSITE FOOTPLATE, HEMI, W/CALF PAD, PAIR	WCA806985HCMP
19	CALF PAD, EACH	WCA806918NYL
20	BRACKET AND PLATFORM FOR CALF PAD, SET	WCA806919
21	SUPPORT HOLDER, PLASTIC, 16" & 18" ONLY	WCA806908
22	HANDGRIPS, PAIR	WCA806909
23	WHEEL LOCK HANDLE, BLACK RUBBER TIP, EACH (PULL TO LOCK)	WCA806907



# Wheelchair Parts Guide



## Excel Recliner with Desk-Length Arms and Elevating Legrests

MDS808350	16" Reclining chair, removable desk-length arms, elevating leg rests, anti-tippers
MDS808450	18" Reclining chair, removable desk-length arms, elevating leg rests, anti-tippers
MDS808550	20" Reclining chair, removable desk-length arms, elevating leg rests, anti-tippers



# Wheelchair Parts Guide

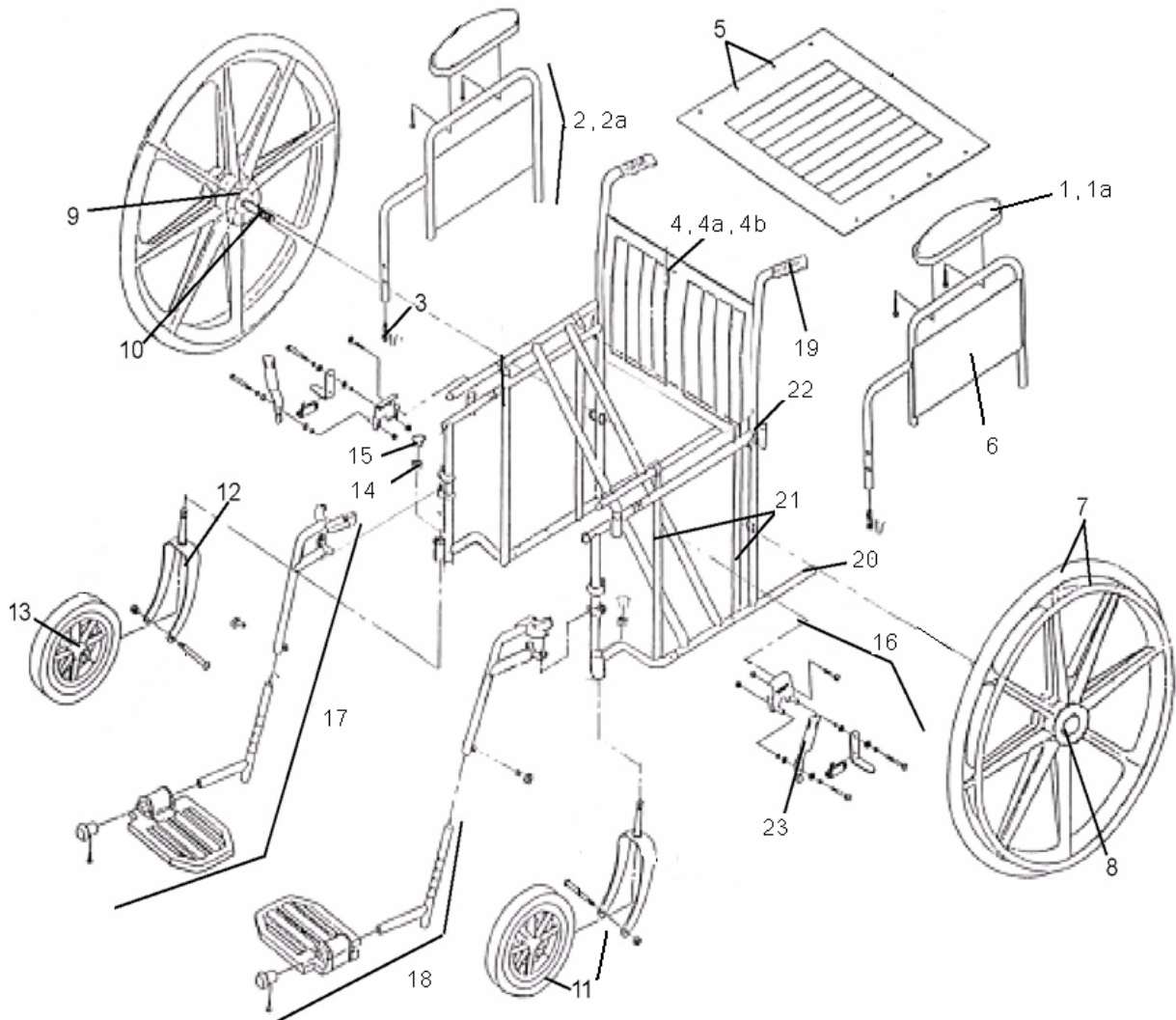
## EXCEL RECLINING WHEELCHAIR PARTS LIST

MDS808350 / MDS808450 / MDS808550

		Item #
1	ARMREST PAD, DESK LENGTH, EACH	WCA806915NYL
2	ARMREST ASSEMBLY, DESK LENGTH, REMOVABLE, PAIR	WCA806960
3	SEAT UPHOLSTERY W/SCREWS, 18"W X 17"D, NYLON	WCA808920R
3a	SEAT UPHOLSTERY W/SCREWS, 16"W X 17"D, NYLON	WCA806921R
3b	SEAT UPHOLSTERY W/SCREWS, 20"W X 17"D, NYLON	WCA806922R
4	BACK UPHOLSTERY W/SCREWS, 18"W X 22"H, NYLON	WCA808924R
4a	BACK UPHOLSTERY W/SCREWS, 16"W X 22"H, NYLON	WCA806923R
4b	BACK UPHOLSTERY W/SCREWS, 20"W X 22"H, NYLON	WCA806925R
5	HEADREST ASSEMBLY, UPHOLSTERY & POSTS 18" X 10"	WCA808926R
5a	HEADREST ASSEMBLY, UPHOLSTERY & POSTS 16" X 10"	WCA85HDREST1
5b	HEADREST ASSEMBLY, UPHOLSTERY & POSTS 20" X 10"	WCA85HDREST2
6	STABILIZING BAR, FOR BACK OF RECLINER 16"	WCARECBAR
6a	STABILIZING BAR, FOR BACK OF RECLINER 18"	WCA808905
6b	STABILIZING BAR, FOR BACK OF RECLINER 20"	WCARECBAR2
7	RECLINING SYSTEM	WCA808906PR
8	CABLE & RELEASE FOR RECLINING SYSTEM, EACH SIDE	WCA808908
9	HANDGRIPS, PAIR	WCA806909
10	REAR WHEEL ASSEMBLY W/BEARING & HANDRIM	WCA806946
11	REAR WHEEL HUBCAP, EACH	WCA806902
12	REAR WHEEL BEARING, SET	WCA806955PR
13	AXLE FOR REAR WHEEL, REMOVABLE ARMS, EACH	WCA806951R
14	FRONT FORK HEMI HEIGHT ADJUSTABLE, BLACK, EACH	WCA806931HHA
15	FRONT CASTER 8", W/BEARINGS, EACH	WCA806930
16	BEARINGS FOR FRONT CASTER, PAIR	WCA806935PR
16a	AXLE & HARDWARE FOR FRONT CASTER, SET	WCA806933
17	STEM BEARING FOR FRONT CASTER, PAIR	WCA806950PR
18	DUST CAP, EACH	WCA806995
19	WHEEL LOCK ASSEMBLY PAIR (PULL TO LOCK)	WCA806990PK4
20	SUPPORT HOLDER, PLASTIC	WCARECSUP
21	WHEEL LOCK HANDLE, BLACK RUBBER TIP, EACH (PULL TO LOCK)	WCA806907
22	ELEVATING LEGREST COMPOSITE FOOTPLATE, HEMI, W/CALF PAD, PAIR	WCA806985HCMP
23	CALF PAD, BLACK	WCA806918NYL
24	STABILIZING BAR KNOBS	WCARECBARK



# Wheelchair Parts Guide



## Excel Extra-Wide with Removable Arms and Swing-Away Footrests

MDS806700	20" Removable desk-length arms, swing-away footrests
MDS806700FLA	20" Removable full-length arms, swing-away footrests
MDS806800	22" Removable desk-length arms, swing-away footrests
MDS806800FLA	22" Removable full-length arms, swing-away footrests
MDS806900	24" Removable desk-length arms, swing-away footrests
MDS806900FLA	24" Removable full-length arms, swing-away footrests



# Wheelchair Parts Guide

## EXCEL EXTRA-WIDE WHEELCHAIR PARTS LIST

**MDS806700 / MDS806700FLA / MDS806800 / MDS806800FLA / MDS806900 / MDS806900FLA**

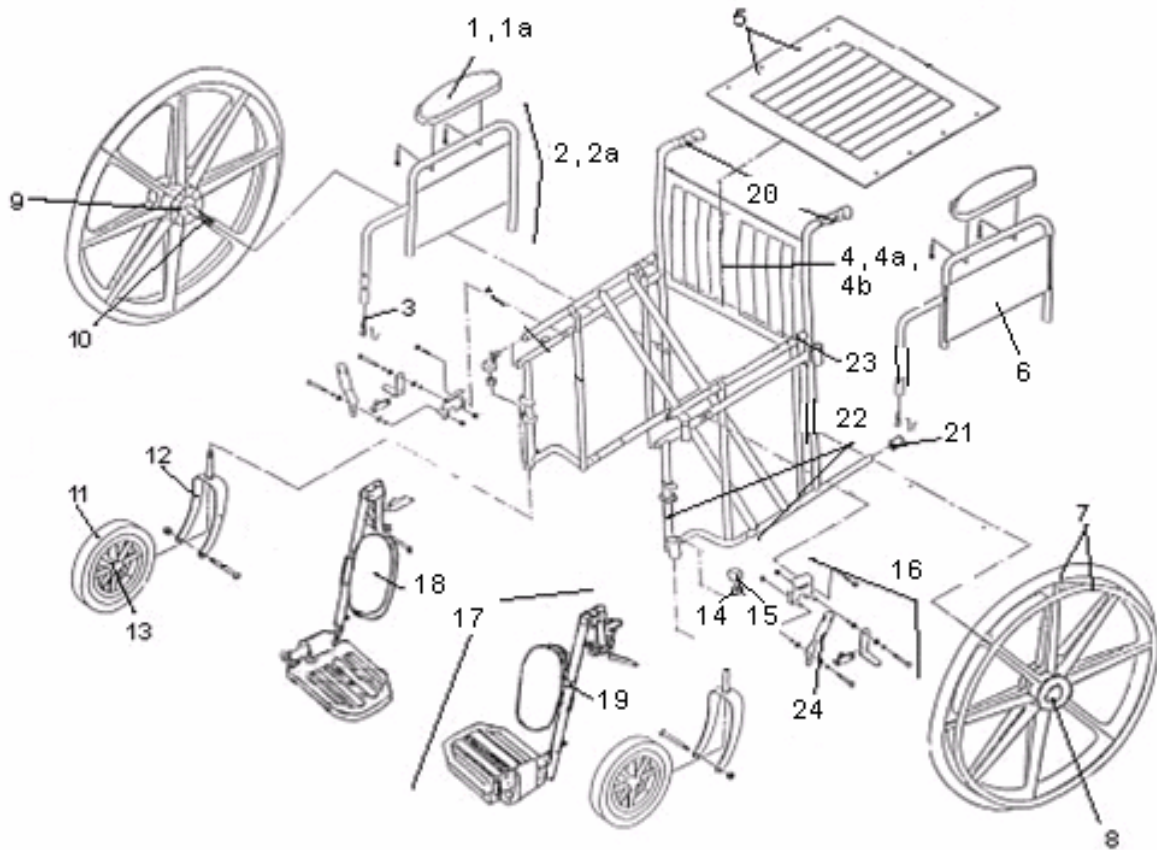
		Item #
1	ARMREST PAD, DESK LENGTH, EACH	WCA806915NVY
1a	ARMREST PAD, FULL LENGTH, EACH	WCA806910NVY
2	ARMREST ASSEMBLY, DESK LENGTH, REMOVABLE, PAIR	WCA806960
2a	ARMREST ASSEMBLY, FULL LENGTH, REMOVABLE, PAIR	WCA806961
3	ARMLOCK PIN FOR REMOVABLE ARMS, EACH	WCA806903
4	UPHOLSTERY SET W/SCREWS, 20" WIDE, FOR MDS806700	WCA806927NVYS
4a	UPHOLSTERY SET W/SCREWS, 22" WIDE, FOR MDS806800	WCA806926NVYS
4b	UPHOLSTERY SET W/SCREWS, 24" WIDE, FOR MDS806900	WCA806925NVYS
5	SCREW AND WASHERS, SEAT & BACK UPHOLSTERY	WCA806975
6	CLOSE GUARD PANELS	WCA806PANEL
7	REAR WHEEL ASSMBLY W/BEARING & HANDRIM	WCA806948
8	REAR WHEEL HUBCAP, EACH	WCA806902
9	REAR WHEEL BEARING, SET*	WCA806957
10	AXLE AND NUT FOR REAR WHEEL, EXTRA WIDE CHAIR, EACH	WCA806952
11	FRONT CASTER FOR XW CHAIR W/BEARINGS, AXLE, HARDWARE, EACH	WCA806930XW
12	FORK FOR FRONT CASTER, XW, CHROME	WCA806931XW
13	BEARINGS FOR FRONT CASTER, XW, PAIR	WCA806935XW
14	STEM BEARING FOR FRONT CASTER, PAIR	WCA806950PR
15	DUST CAP, EACH	WCA806995
16	WHEEL LOCK ASSEMBLY PAIR (PULL TO LOCK)	WCA806990R
17	FOOTREST ASSEMBLY, ALUMINUM FOOTPLATE, HEMI, PAIR	WCA806965HEMI
18	FOOTPLATE ASSEMBLY, ALUMINUM, PAIR	WCA806900
19	HANDGRIPS, PAIR	WCA806909
20	TUBE END CAP FOR REAR FRAME, EACH	WCA806904
21	SLIDE TUBE, XW, EACH	WCA806997
22	SEAT GUIDES SET FRONT & REAR, REMOVABLE ARM, SET	WCA806981
23	WHEEL LOCK HANDLE, BLACK RUBBER TIP, EACH (PULL TO LOCK)	WCA806907

\*for wheelchairs with serial # starting w/A58 please contact tech support





# Wheelchair Parts Guide



## Excel Extra-Wide with Removable Arms and Elevating Legrests

MDS806750	20" Removable desk-length arms, elevating leg rests
MDS806750FLA	20" Removable full-length arms, elevating leg rests
MDS806850	22" Removable desk-length arms, elevating leg rests
MDS806850FLA	22" Removable full-length arms, elevating leg rests
MDS806950	24" Removable desk-length arms, elevating leg rests



# Wheelchair Parts Guide

## EXCEL EXTRA-WIDE WHEELCHAIR PARTS LIST

MDS806750 / MDS806750FLA / MDS806850 / MDS806850FLA / MDS806950

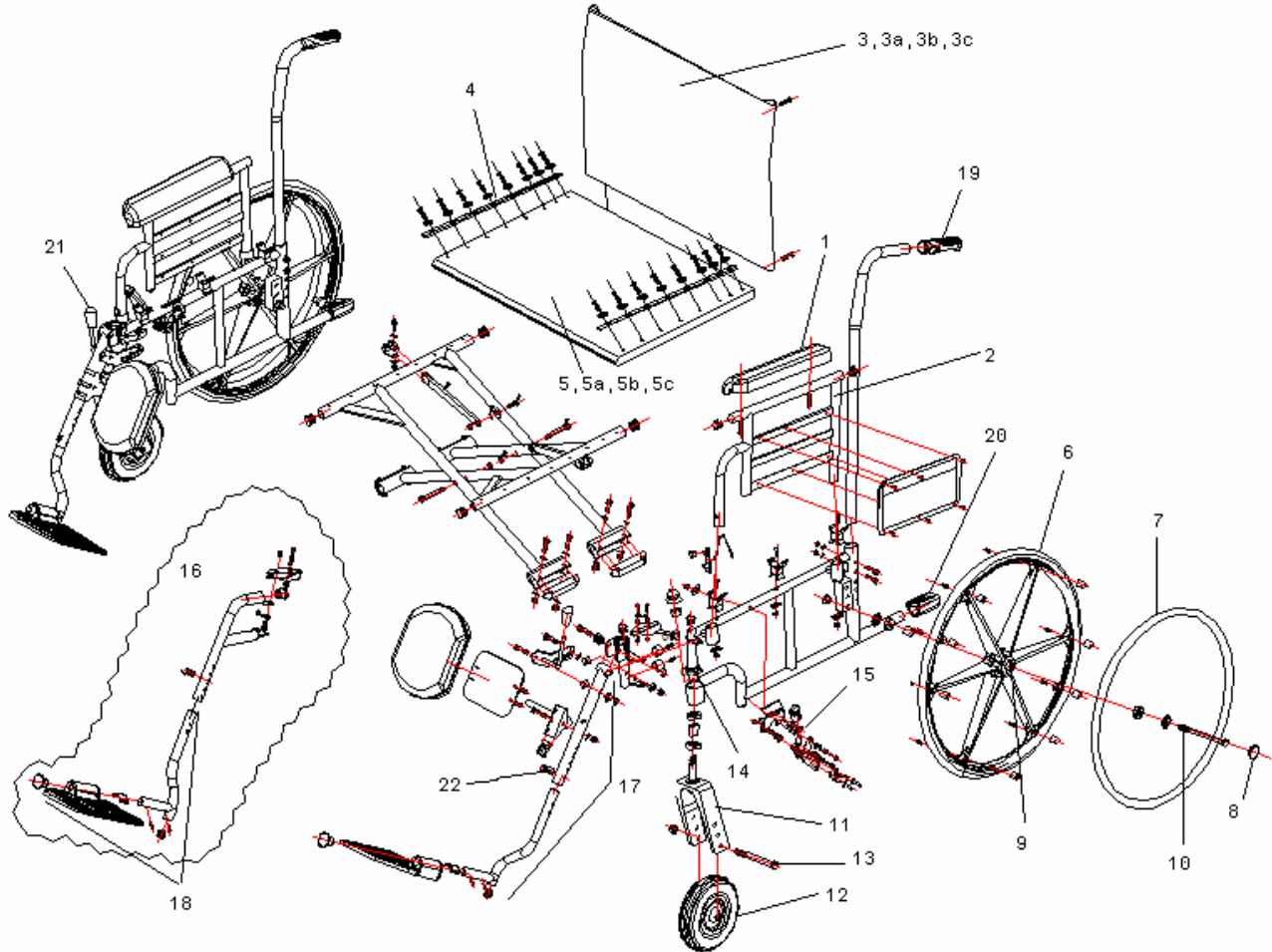
Item #

		Item #
1	ARMREST PAD, DESK LENGTH, EACH	WCA806915NVY
1a	ARMREST PAD, FULL LENGTH, EACH	WCA806910NVY
2	ARMREST ASSEMBLY, DESK LENGTH, REMOVABLE, PAIR	WCA806960
2a	ARMREST ASSEMBLY, FULL LENGTH, REMOVABLE, PAIR	WCA806961
3	ARMLOCK PIN FOR REMOVABLE ARMS, EACH	WCA806903
4	UPHOLSTERY SET W/SCREWS, 20" WIDE, FOR MDS806750	WCA806927NVYS
4a	UPHOLSTERY SET W/SCREWS, 22" WIDE, FOR MDS806850	WCA806926NVYS
4b	UPHOLSTERY SET W/SCREWS, 24" WIDE, FOR MDS806950	WCA806925NVYS
5	SCREW AND WASHERS, SEAT & BACK UPHOLSTERY	WCA806975
6	CLOSE GUARD PANELS	WCA806PANEL
7	REAR WHEEL ASSMBLY W/BEARING & HANDRIM	WCA806948
8	REAR WHEEL HUBCAP, EACH	WCA806902
9	REAR WHEEL BEARING, SET*	WCA806957
10	AXLE AND NUT FOR REAR WHEEL, EXTRA WIDE CHAIR, EACH	WCA806952
11	FRONT CASTER FOR XW CHAIR, W/BEARINGS, AXLE, HARDWARE EACH	WCA806930XW
12	FORK FOR FRONT CASTER, XW, CHROME	WCA806931XW
13	BEARINGS FOR FRONT CASTER, XW, PAIR	WCA806935XW
14	STEM BEARING FOR FRONT CASTER, PAIR	WCA806950PR
15	DUST CAP, EACH	WCA806995
16	WHEEL LOCK ASSEMBLY PAIR (PULL TO LOCK)	WCA806990R
17	ELEVATING LEGREST, ALUMINUM FOOTPLATE, HEMI, PAIR	WCA806985HEMI
18	CALF PAD, NAVY, EACH	WCA806918NVY
19	BRACKET AND PLATFORM FOR CALF PAD	WCA806919
20	HANDGRIPS, PAIR	WCA806909
21	TUBE END CAP FOR REAR FRAME, EACH	WCA806904
22	SLIDE TUBE, XW, EACH	WCA806997
23	SEAT GUIDES SET FRONT & REAR, REMOVABLE ARM, SET	WCA806981
24	WHEEL LOCK HANDLE, BLACK RUBBER TIP, EACH (PULL TO LOCK)	WCA806907

\*for wheelchairs with serial # starting w/A58 please contact tech support



# Wheelchair Parts Guide



## Excel Shuttle with Desk-Length Arms

MDS809600	24" Removable desk-length arms, swing-away footrests
MDS809650	24" Removable desk-length arms, elevating leg rests
MDS809700	26" Removable desk-length arms, swing-away footrests
MDS809750	26" Removable desk-length arms, elevating leg rests
MDS809800	28" Removable desk-length arms, swing-away leg rests
MDS809850	28" Removable desk-length arms, elevating leg rests
MDS809585	30" Removable desk-length arms, elevating leg rests



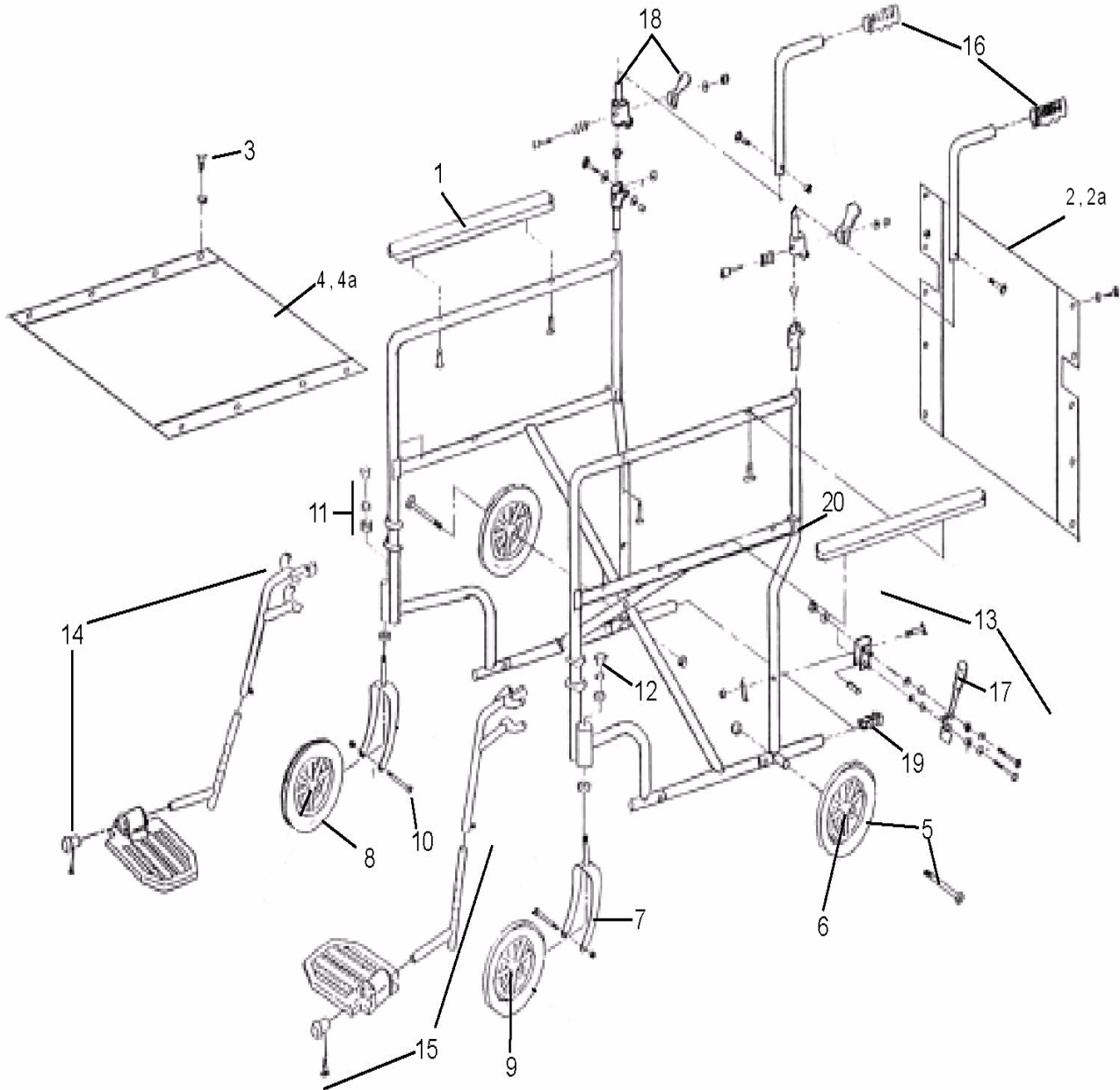
# Wheelchair Parts Guide

## EXCEL SHUTTLE WHEELCHAIR PARTS LIST

<b>MDS809600 / MDS809650 / MDS809700 / MDS809750 / MDS809800 / MDS809850 / MDS809585</b>		<b>Item #</b>
1	ARMREST PAD, SHUTTLE DESK LENGTH, EACH	WCA806915SH
2	ARMREST ASSEMBLY, SHUTTLE DESK LENGTH, PAIR	WCA806960SH
3	UPHOLSTERY, BACK, FOR 24" CHAIR	WCA806926SH1
3a	UPHOLSTERY, BACK, FOR 26" CHAIR	WCA806926SH2
3b	UPHOLSTERY, BACK, FOR 28" CHAIR	WCA806926SH3
3c	UPHOLSTERY, BACK, FOR 30" CHAIR	WCA806926SH4
4	SCREW AND WASHERS FOR SEAT & BACK UPHOLSTERY	WCA806975SH
5	UPHOLSTERY, SEAT, FOR 24" CHAIR	WCA808920SH1
5a	UPHOLSTERY, SEAT, FOR 26" CHAIR	WCA808920SH2
5b	UPHOLSTERY, SEAT, FOR 28" CHAIR	WCA808920SH3
5c	UPHOLSTERY, SEAT, FOR 30" CHAIR	WCA808920SH4
6	REAR WHEEL WITHOUT HANDRIM, EACH	WCA806945SH
7	HANDRIM W/SCREWS, EACH	WCA806940SH
8	REAR WHEEL HUBCAP, EACH	WCA806902SH
9	REAR WHEEL BEARING, SET	WCA806955SH
10	AXLE AND HARDWARE FOR REAR WHEEL, EACH	WCA806951SH
11	FRONT FORK HEMI HEIGHT ADJUSTABLE, EACH	WCA806931SH
12	FRONT CASTER W/BEARINGS, EACH	WCA806930SH
13	AXLE & HARDWARE FOR FRONT CASTER, SET	WCA806933SH
14	STEM BEARING FOR FRONT CASTER, PAIR	WCA806950SH
15	WHEEL LOCK ASSEMBLY, PAIR	WCA806990SH
16	FOOTREST, PAIR	WCA806965SH
17	ELEVATING LEGREST, COMPOSITE FOOTPLATE, HEMI, W/CALF PAD, PAIR	WCA806985SH
18	FOOTPLATE ASSEMBLY, PAIR	WCA806900SH
19	HANDGRIPS, PAIR	WCA806909
20	TUBE END CAP FOR REAR FRAME, EACH	WCA806904SH
21	WHEEL LOCK HANDLE, BLACK RUBBER TIP, EACH (PULL TO LOCK)	WCA806907SH
22	CLIPS FOR LEGREST, BLACK	WCALRCLIP



# Wheelchair Parts Guide



## Excel Steel Transport

MDS808150	17" Permanent full-length arms, swing-away footrests
MDS808200	19" Permanent full-length arms, swing-away footrests



# Wheelchair Parts Guide

## EXCEL STEEL TRANSPORT WHEELCHAIR PARTS LIST

**MDS808150 / 200**

**Item #**

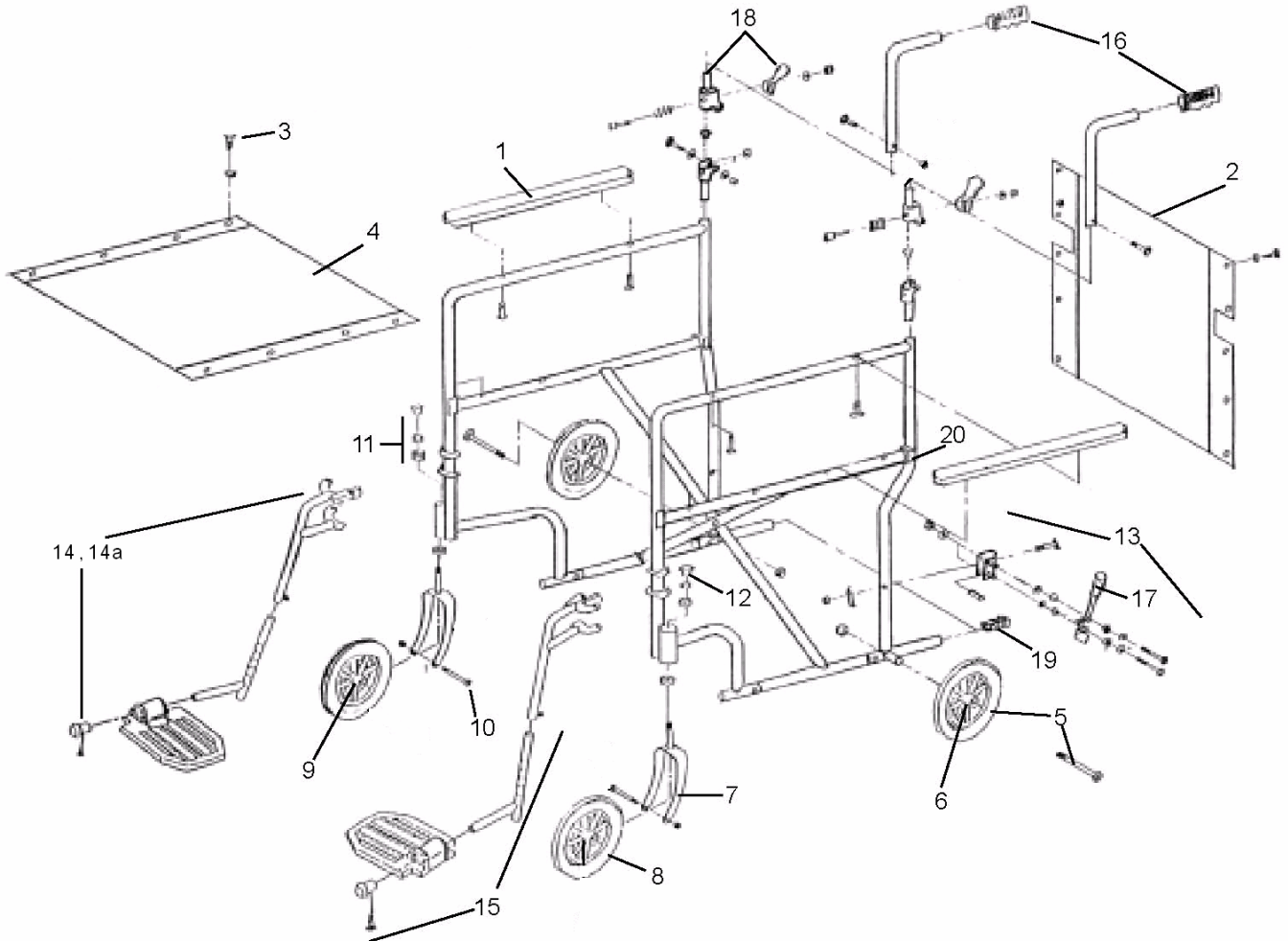
---

1	ARMREST PAD, FULL LENGTH, EACH	WCA806910NYL
2	BACK UPHOLSTERY W/SCREWS, 17" WIDE, NYLON	WCA808925
2a	BACK UPHOLSTERY W/SCREWS, 19" WIDE, NYLON	WCA808926
3	SCREW AND WASHERS, SEAT & BACK UPHOLSTERY	WCA806975
4	SEAT UPHOLSTERY W/SCREWS, 17" WIDE, NYLON	WCA808920
4a	SEAT UPHOLSTERY W/SCREWS, 19" WIDE, NYLON	WCA808921
5	REAR WHEEL ASSEMBLY W/BEARING & AXLE	WCA808945
6	REAR WHEEL BEARING	WCA806935PR
7	FORK FOR FRONT CASTER	WCA806931
8	FRONT CASTER 8", W/BEARINGS	WCA806930
9	BEARINGS FOR FRONT CASTER	WCA806935PR
10	AXLE & HARDWARE FOR FRONT CASTER	WCA806933
11	STEM BEARING FOR FRONT CASTER	WCA806950PR
12	DUST CAP	WCA806995
13	WHEEL LOCK ASSEMBLY (PULL TO LOCK)	WCA808990P
14	FOOTREST ASSEMBLY ALUMINUM FOOTPLATE, HEMI	WCA806965HEMI
15	FOOTPLATE ASSEMBLY, ALUMINUM	WCA806900
16	HANDGRIPS, PAIR	WCA806909
17	WHEEL LOCK HANDLE (PULL TO LOCK)	WCA806907
18	FOLDING MECHANISM & PADDLE, ALUMINUM	WCA808902
19	TUBE END CAP, WITH THREAD	WCA808900
20	SEAT GUIDES FOR PERMANENT ARMS	WCA806980





# Wheelchair Parts Guide



## Excel Standard Aluminum Transport

MDS808200AR	19" Permanent full-length arms, swing-away footrests, red
MDS808200AB	19" Permanent full-length arms, swing-away footrests, blue



# Wheelchair Parts Guide

## EXCEL ALUMINUM TRANSPORT WHEELCHAIR PARTS LIST

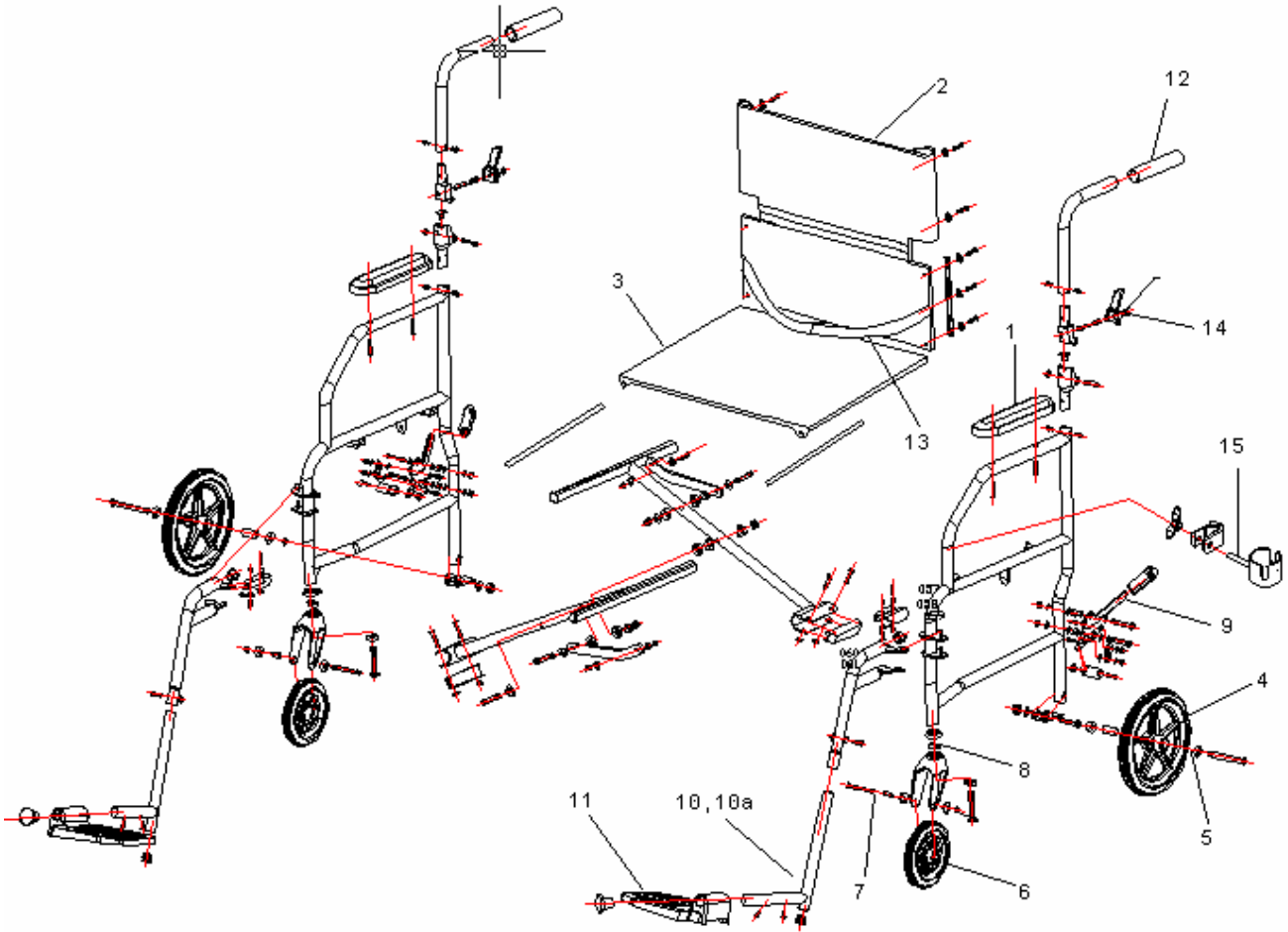
### MDS808200AB / AR

### Item #

		Item #
1	ARMREST PAD, FULL LENGTH, EACH	WCA806910NYL
2	BACK UPHOLSTERY W/SCREWS, NYLON	WCA808926
3	SCREW AND WASHERS, SEAT & BACK UPHOLSTERY	WCA806975
4	SEAT UPHOLSTERY W/SCREWS, NYLON	WCA808921
5	REAR WHEEL ASSEMBLY W/BEARING & AXLE	WCA808945
6	REAR WHEEL BEARING	WCA806935PR
7	FORK FOR FRONT CASTER	WCA806931
8	FRONT CASTER, W/BEARINGS	WCA806930
9	BEARINGS FOR FRONT CASTER	WCA806935PR
10	AXLE & HARDWARE FOR FRONT CASTER	WCA806933
11	STEM BEARING FOR FRONT CASTER	WCA806950PR
12	DUST CAP	WCA806995
13	WHEEL LOCK ASSEMBLY (PULL TO LOCK)	WCA806990AT
14	FOOTREST ASSEMBLY, RED, HEMI	WCA806965R
14a	FOOTREST ASSEMBLY, BLUE, HEMI	WCA806965B
15	FOOTPLATE ASSEMBLY, COMPOSITE	WCA806901
16	HANDGRIPS, PAIR	WCA806909
17	WHEEL LOCK HANDLE (PULL TO LOCK)	WCA806907
18	FOLDING MECHANISM & PADDLE, ALUMINUM	WCA808902
19	TUBE END CAP, WITH THREAD	WCA808900
20	SEAT GUIDES FOR PERMANENT ARMS	??



# Wheelchair Parts Guide



## Superlight Freedom Aluminum Transport

MDS808200SLR	19" Permanent desk-length arms, swing-away footrests, red
MDS808200SLB	19" Permanent desk-length arms, swing-away footrests, blue



# Wheelchair Parts Guide

## EXCEL SUPERLIGHT FREEDOM TRANSPORT WHEELCHAIR PARTS LIST

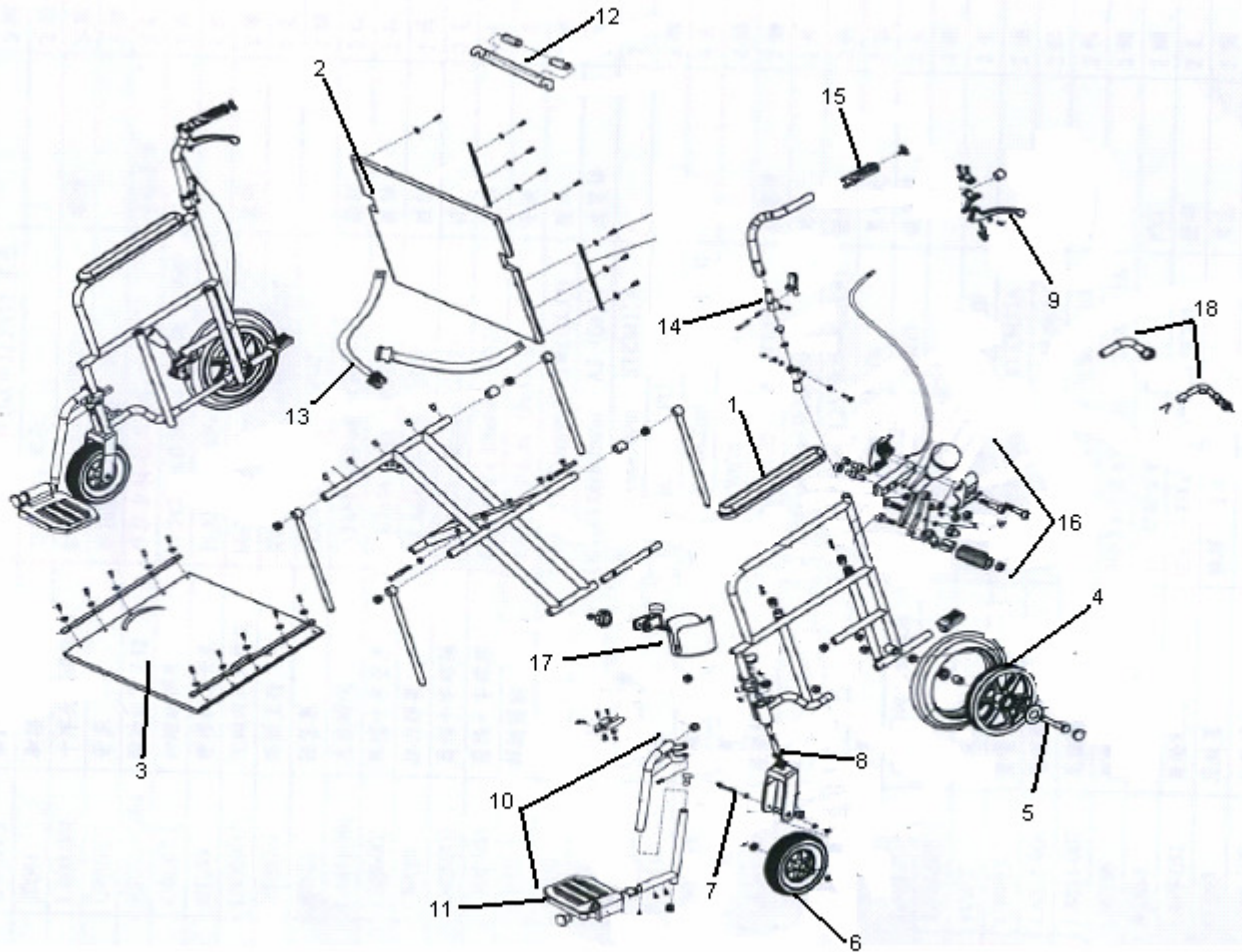
MDS808200SLR / MDS808200SLB

Item #

		Item #
1	ARMREST PAD, DESK LENGTH, EACH	WCA806915SL
2	BACK UPHOLSTERY, NYLON	WCA808926SL
3	SEAT UPHOLSTERY, NYLON	WCA808920SL
4	REAR TIRE AND BEARING	WCA806935SL
5	REAR AXLE AND HARDWARE	WCA806951SL
6	FRONT CASTER AND BEARINGS	WCA806930SL
7	AXLE & HARDWARE FOR FRONT CASTER	WCA806933SL
8	STEM BEARING FOR FRONT CASTER	WCA806950SL
9	WHEEL LOCK ASSEMBLY	PENDING
10	FOOTREST ASSEMBLY, RED	WCA806965R
10a	FOOTREST ASSEMBLY, BLUE	WCA806965B
11	FOOTPLATE ASSEMBLY, COMPOSITE	WCA806901
12	HANDGRIPS, PAIR	WCA806909
13	SAFETY BELT	WCABELT
14	FOLDING MECHANISM, PADDLE AND SOCKET	WCA808902
15	CUP HOLDER	WCACUP



# Wheelchair Parts Guide



## Freedom Plus Bariatric Aluminum Transport

**MDS808200BAR      22" Permanent full-length arms, swing-away footrests, red**



# Wheelchair Parts Guide

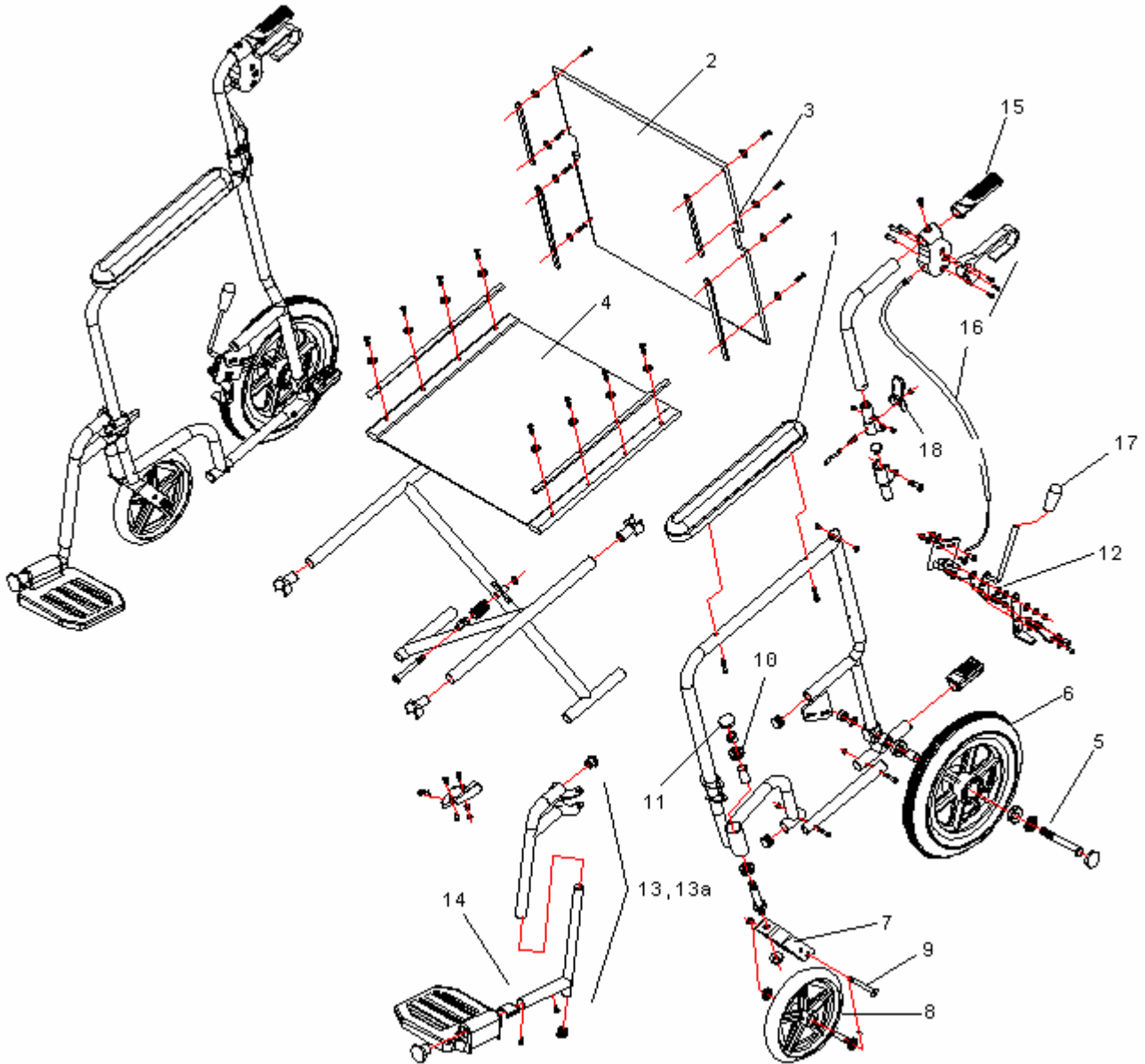
## EXCEL BARIATRIC ALUMINUM TRANSPORT CHAIR PARTS LIST

<b>MDS808200BAR</b>		<b>Item #</b>
1	ARMREST PAD, DESK LENGTH, EACH	WCA806915FP
2	BACK UPHOLSTERY, NYLON	WCA806926FP
3	SEAT UPHOLSTERY, NYLON	WCA806920FP
4	REAR TIRE AND BEARING	WCA806935FP
5	REAR AXLE AND HARDWARE	WCA806951FP
6	FRONT CASTER AND BEARINGS	WCA806930FP
7	FRONT CASTER AXLE	WCA806933FP
8	STEM BEARING FOR FRONT CASTER	WCA806950FP
9	UPPER HANDLE WITH CABLE	WCAFPBRAKE
10	FOOTREST ASSEMBLY	WCA806965R
11	FOOTPLATE ASSEMBLY, COMPOSITE	WCA806901
12	PUSHBAR	WCAFPBAR
13	SAFETY BELT	WCABELTFP
14	FOLDING MECHANISM, PADDLE AND SOCKET	WCA808902
15	HANDGRIPS, PAIR	WCA806909
16	WHEEL LOCK ASSEMBLY	WCA806990FP
17	CUP HOLDER	WCACUP
18	ANTI-TIPPERS	WCAFP TIP





# Wheelchair Parts Guide



## Excel Deluxe Aluminum Transport

MDS808210AR	19" Permanent full-length arms, swing-away footrests, red
MDS808210AB	19" Permanent full-length arms, swing-away footrests, blue



# Wheelchair Parts Guide

## EXCEL DELUXE ALUMINUM TRANSPORT WHEELCHAIR PARTS LIST

MDS808210AB / AR

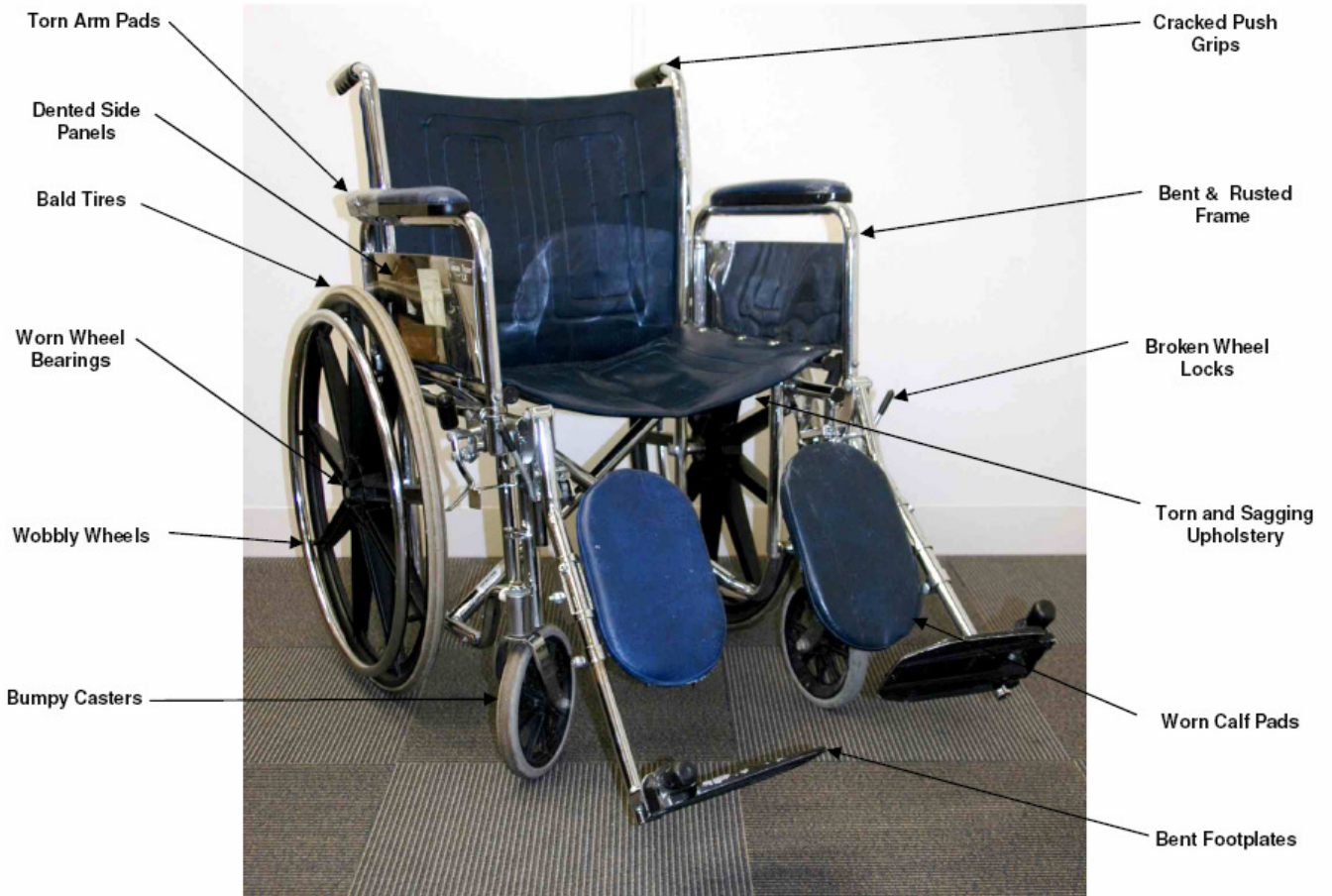
Item #

		Item #
1	ARMREST PAD, FULL LENGTH, EACH	WCA806910NYL
2	BACK UPHOLSTERY W/SCREWS, NYLON	WCA808926
3	SCREW AND WASHERS, SEAT & BACK UPHOLSTERY	WCA806975
4	SEAT UPHOLSTERY W/SCREWS, NYLON	WCA808921
5	REAR AXLE AND HARDWARE	WCA806951DT
6	REAR WHEEL AND BEARING	WCA806935DT
7	FORK FOR FRONT CASTER, BLACK	WCA806931DT
8	FRONT CASTER, W/BEARINGS	WCA806930DT
9	AXLE & HARDWARE FOR FRONT CASTER	WCA806933DT
10	STEM BEARING FOR FRONT CASTER	WCA806950DT
11	DUST CAP	WCA806995
12	WHEEL LOCK ASSEMBLY (PULL TO LOCK)	WCA808990DT
13	FOOTREST ASSEMBLY, RED, HEMI	WCA806965R
13a	FOOTREST ASSEMBLY, BLUE, HEMI	WCA806965B
14	FOOTPLATE ASSEMBLY, COMPOSITE	WCA806901
15	HANDGRIPS, PAIR	WCA806909
16	HANDBRAKE ASSEMBLY	WCAHBRAKE
17	WHEEL LOCK HANDLE (PULL TO LOCK)	WCA806907DT
18	FOLDING MECHANISM & PADDLE, ALUMINUM	WCA808902



# Wheelchair Parts Guide

# Fix Me Up!



[www.medline.com](http://www.medline.com) 1-800-MEDLINE

2008 All rights reserved. Ver. CB042108 Medline is a registered trademark of Medline Industries, Inc. 56  
Medline Industries, Inc., One Medline Place, Mundelein, IL 6060 USA